

90536

ASSEMBLY INSTRUCTIONS FOR OUTDOOR KITCHEN 90

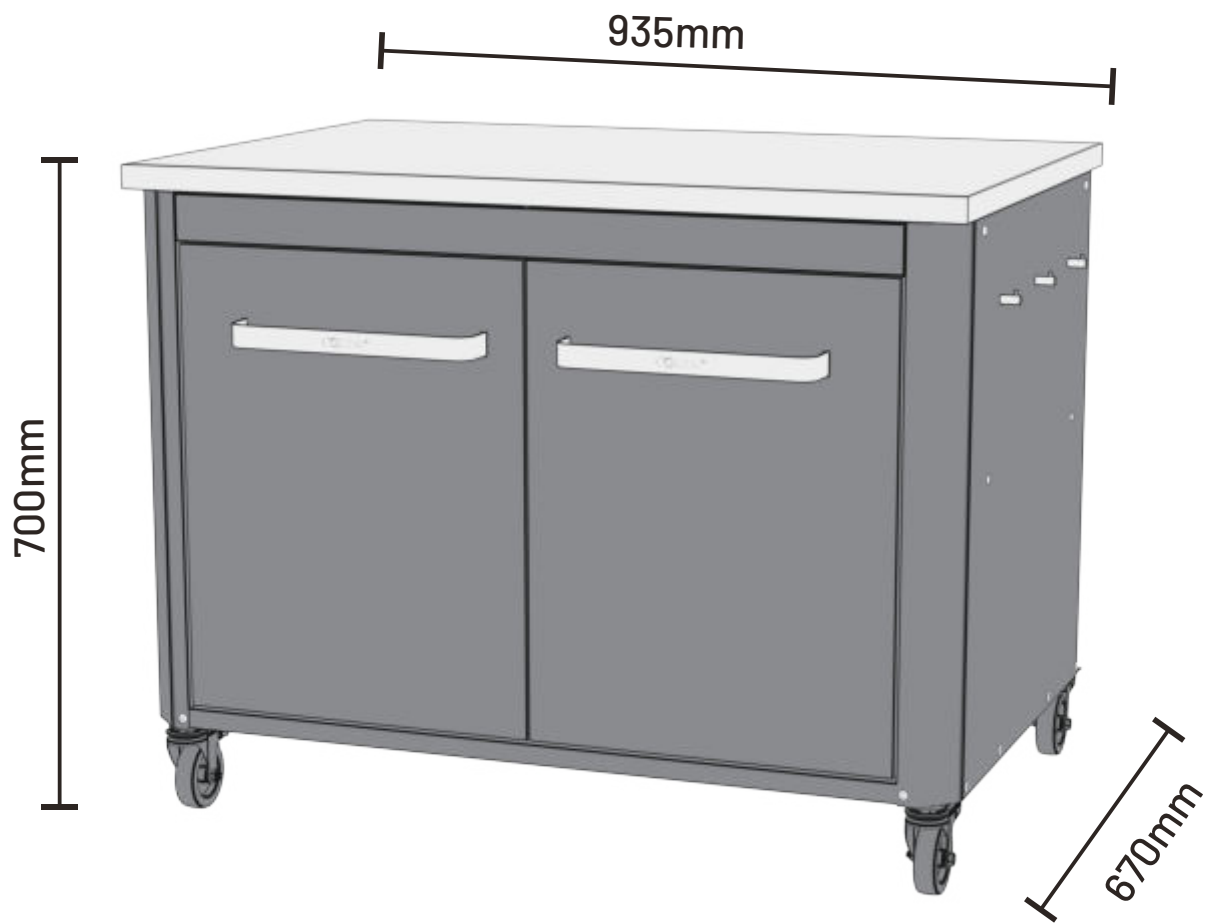
COLINES
BY COZZE

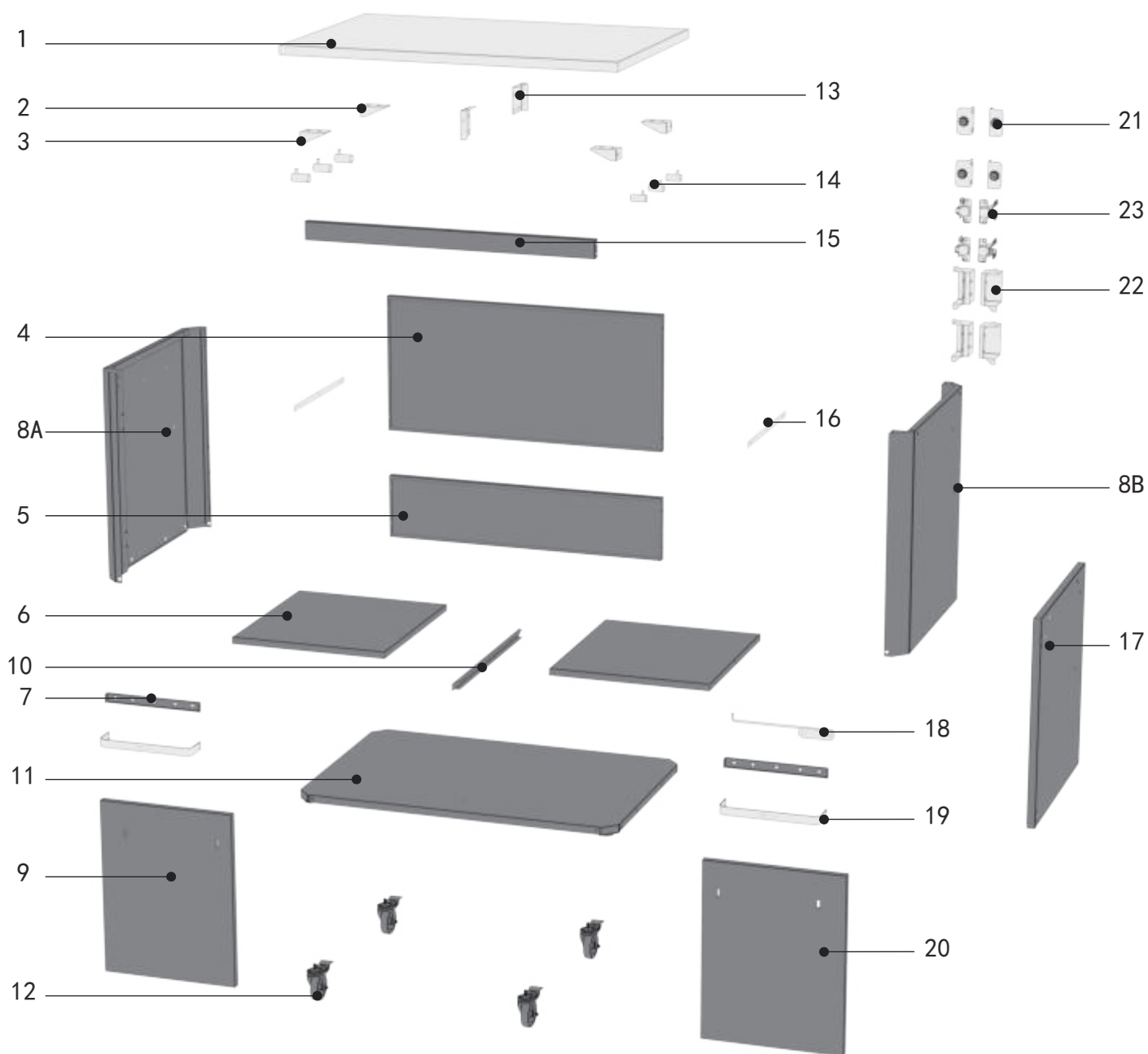














FIND A VIDEO ON HOW TO
ASSEMBLE THE OUTDOOR KITCHEN AT
[COZZEBBQ.COM/ASSEMBLY](https://cozzebbq.com/assembly)



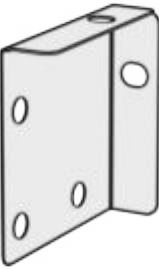

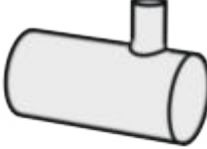



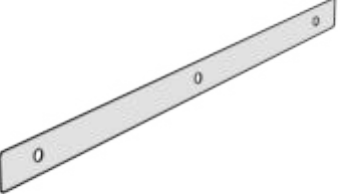
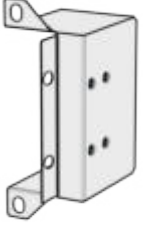

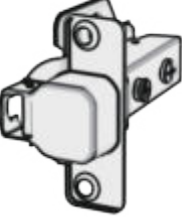










cozze®

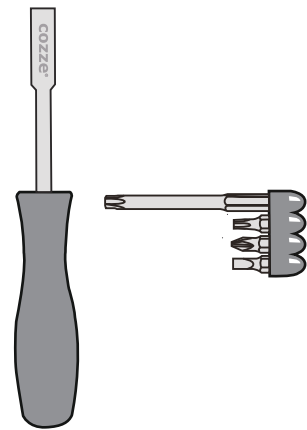
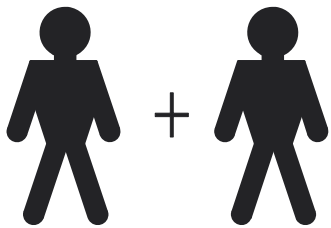




1		1pc.	7		2pcs.
2		2pcs.	8A		1pc.
3		2pcs.	8B		1pc.
4		1pc.	9		1pc.
5		1pc.	10		1pc.
6		2pcs.	11		1pc.

12		4pcs.	18		1pc.
13		2pcs.	19		2pcs.
14		6pcs.	20		1pc.
15		1pc.	21		4pcs.
16		2pcs.	22		4pcs.
17		1pc.	23		4pcs.

B	M6X12 	9pcs.	C	ST4.2X10 	14pcs.
A	M6X30 	4pcs.	D	M4X16 	5pcs.
I	M4X8-SS 	54pcs.	F	M6X12-SS 	14pcs.
J	M6X16 	8pcs.	L	M4X8 	18pcs.



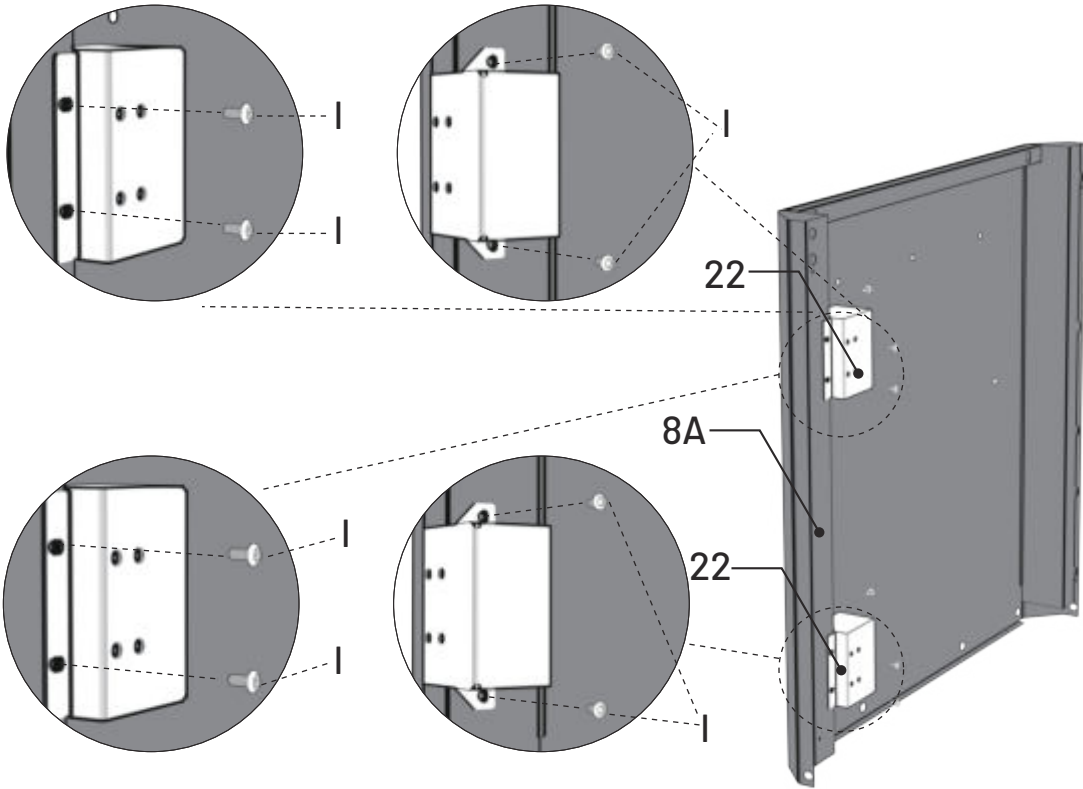
(Included)

M4X8-SS



8pcs.

1

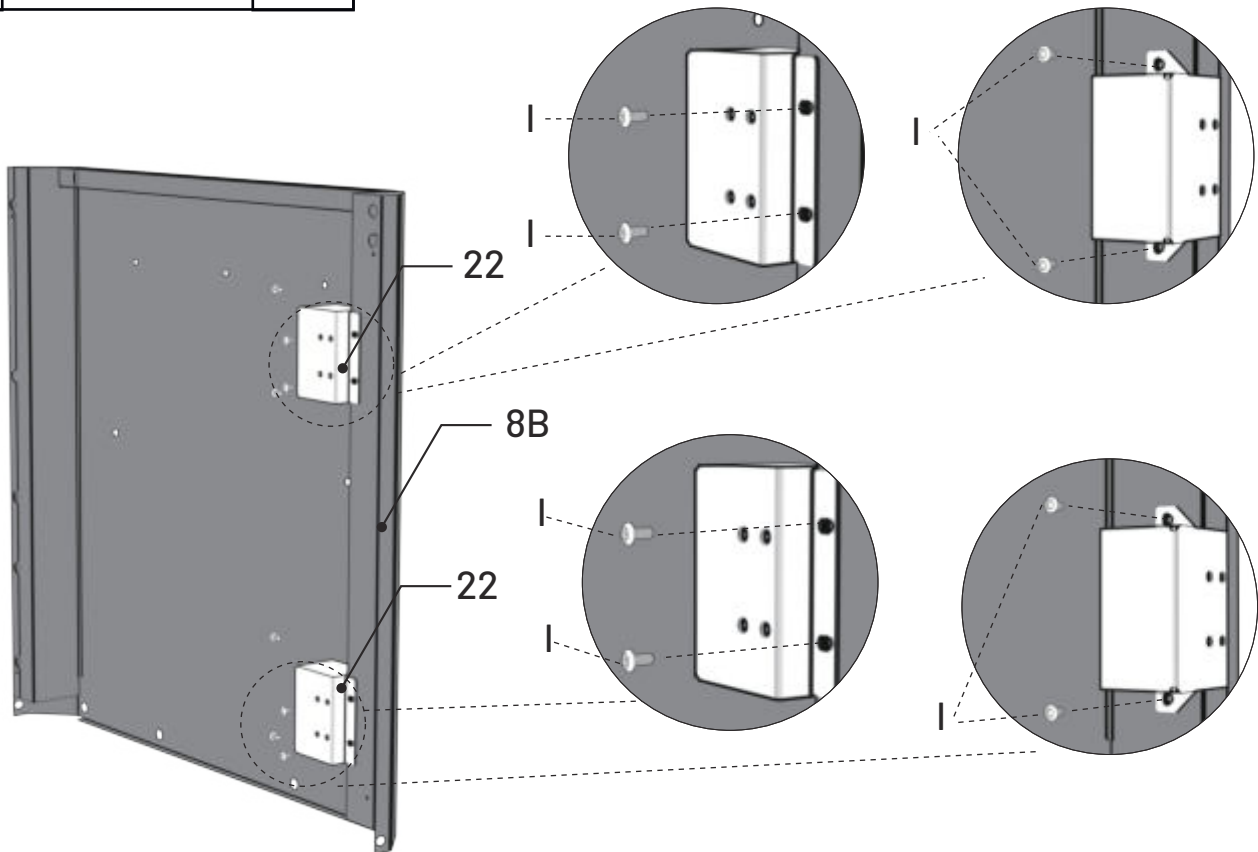


M4X8-SS



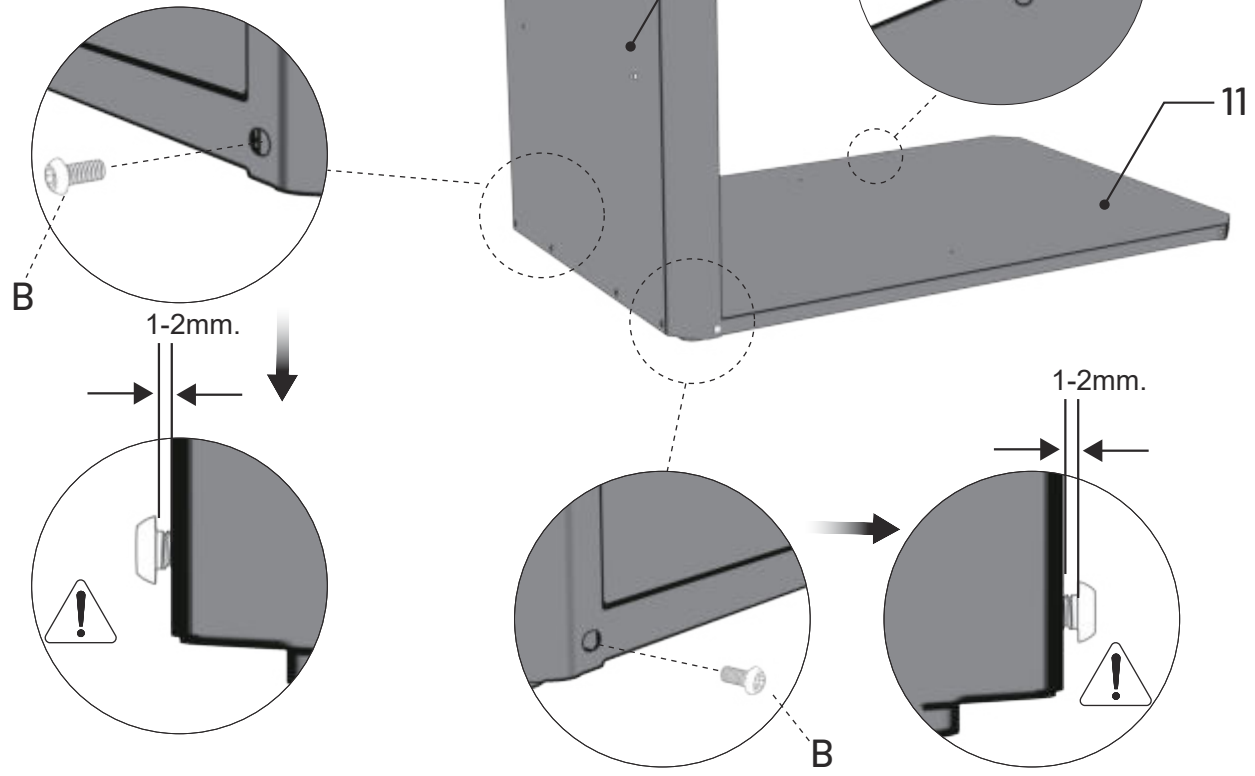
8pcs.

2



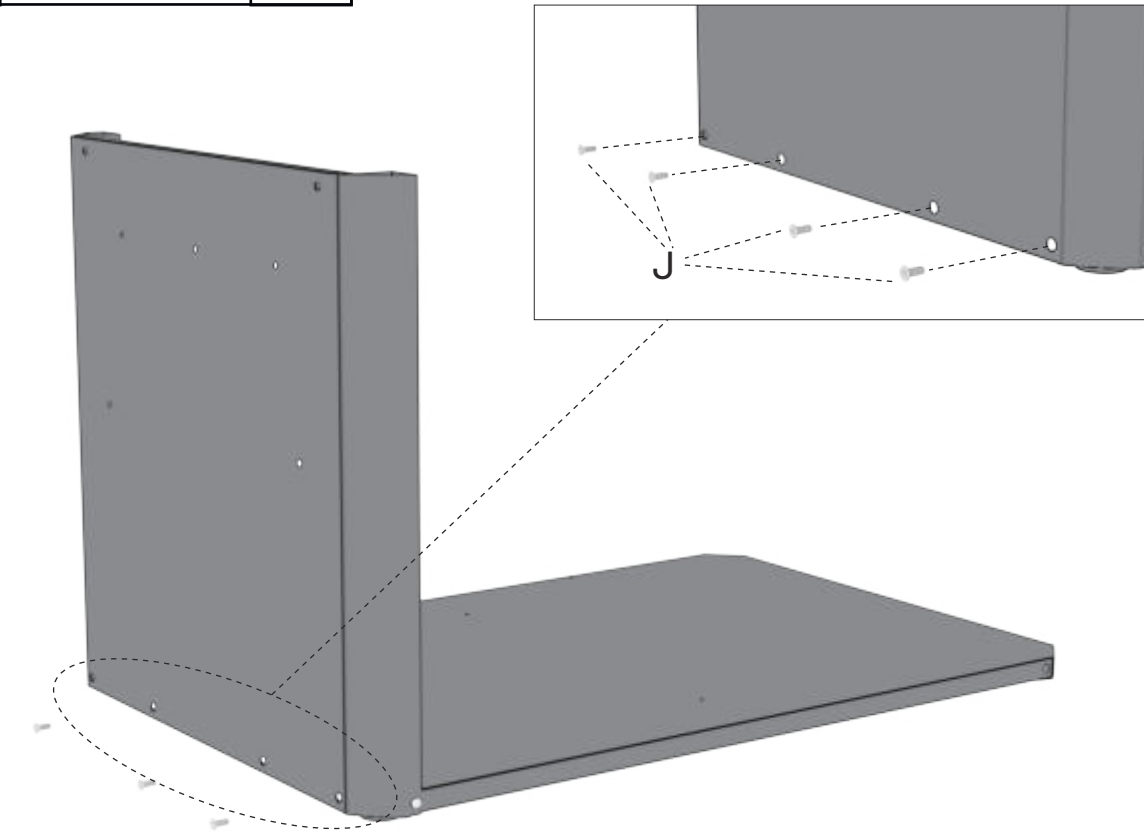
B	M6X12 	2pcs.
---	--	-------

3

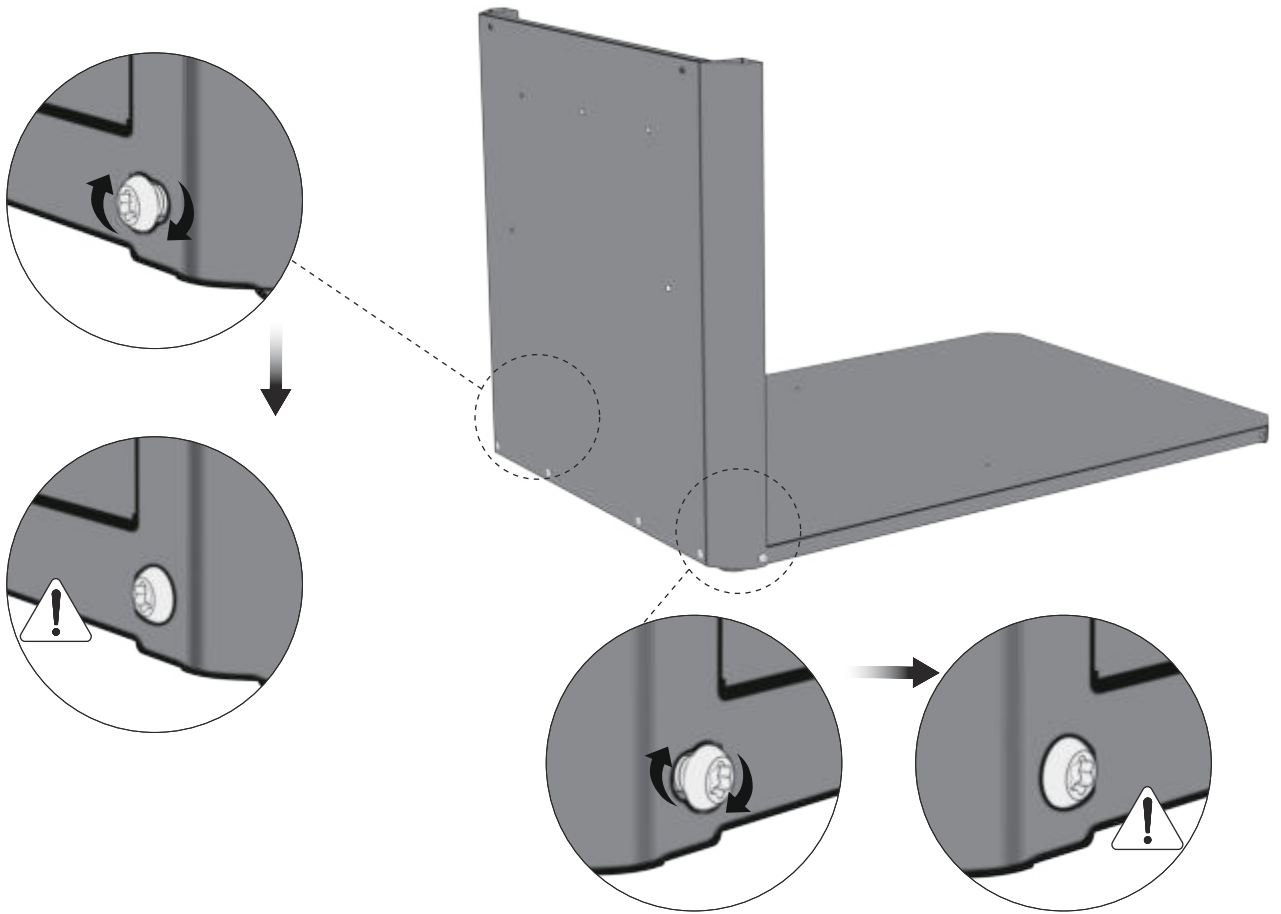


J	M6X16 	4pcs.
---	--	-------

4



5



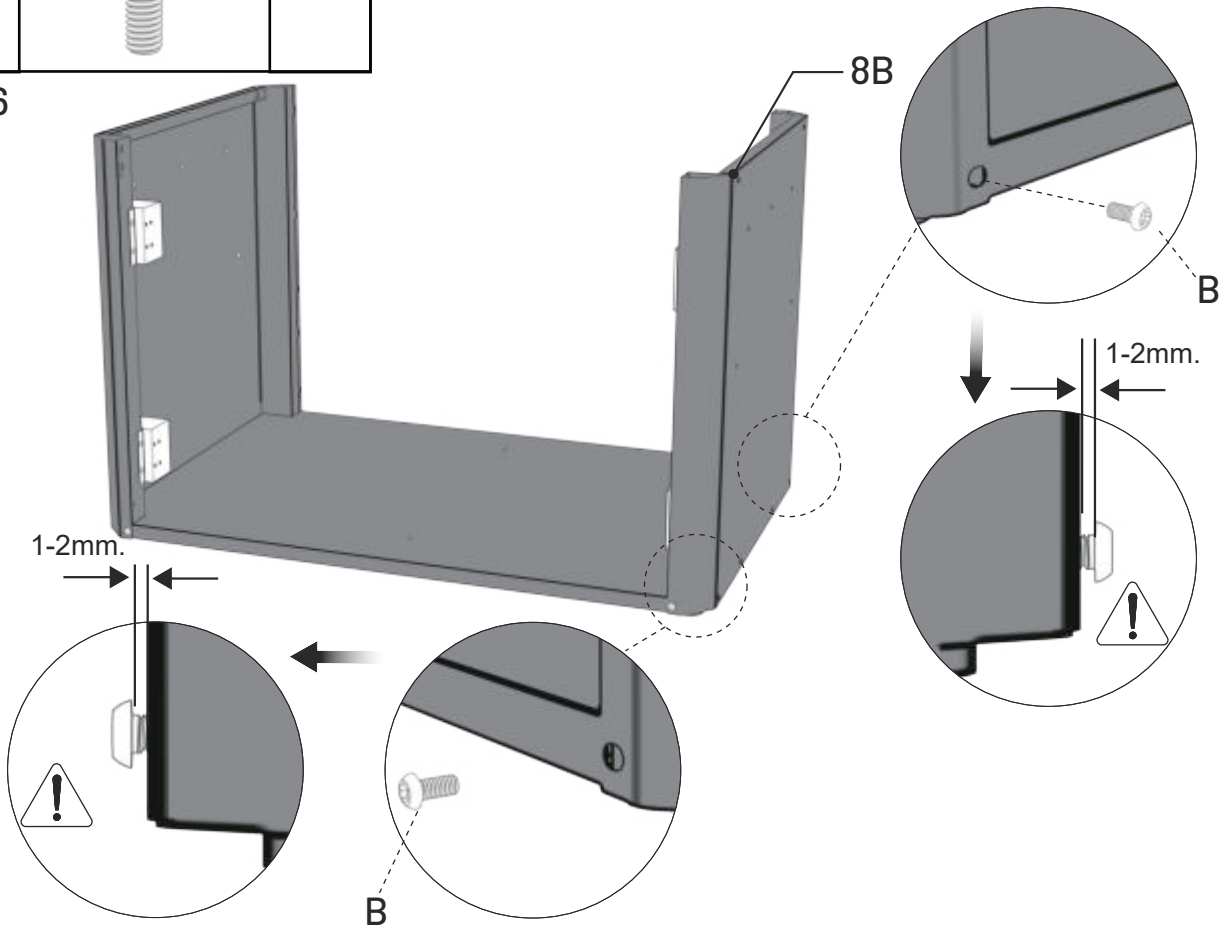
M6X12

B



2pcs.

6



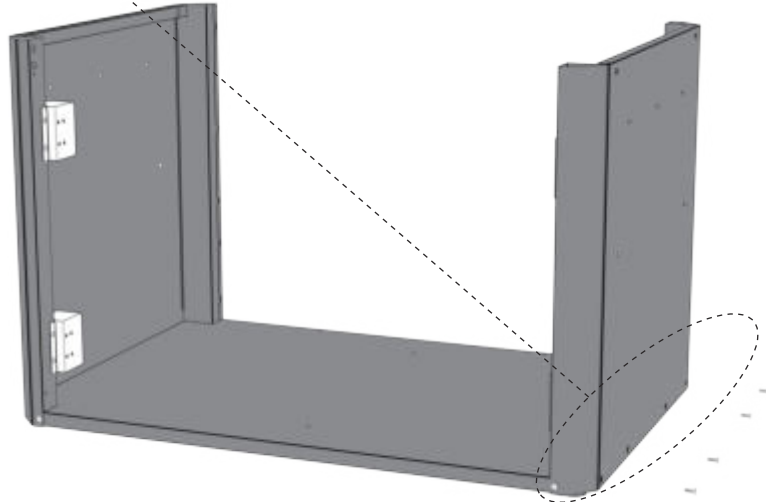
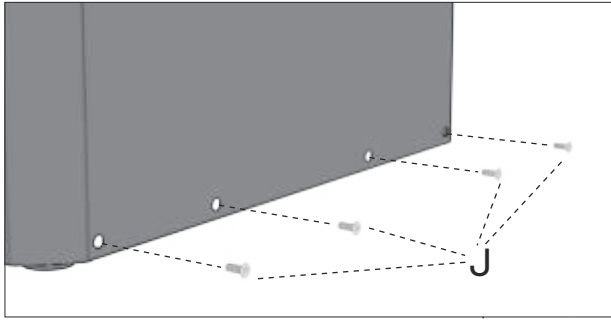
M6X16

J

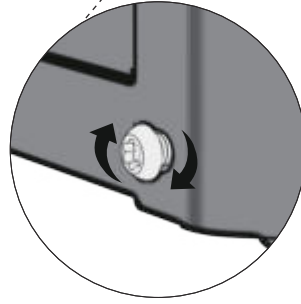
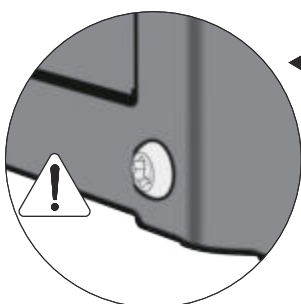
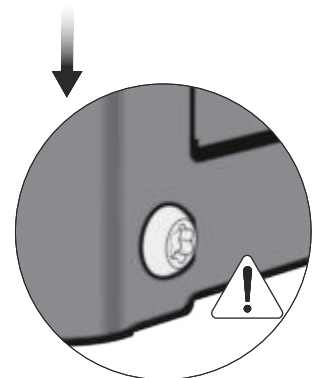
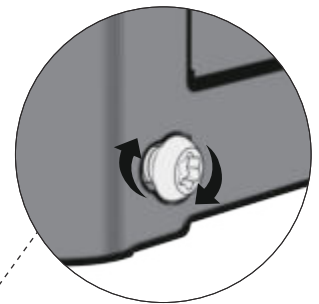
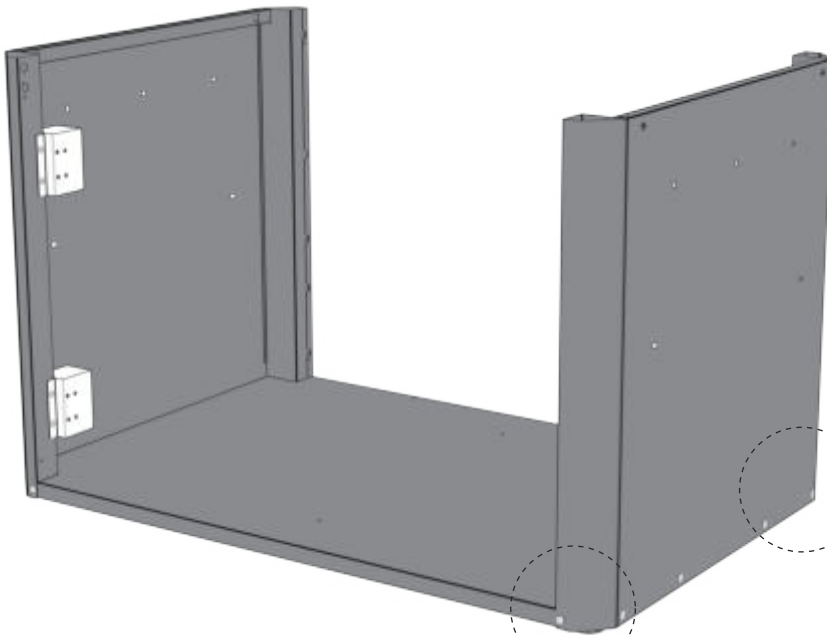


4pcs.

7



8

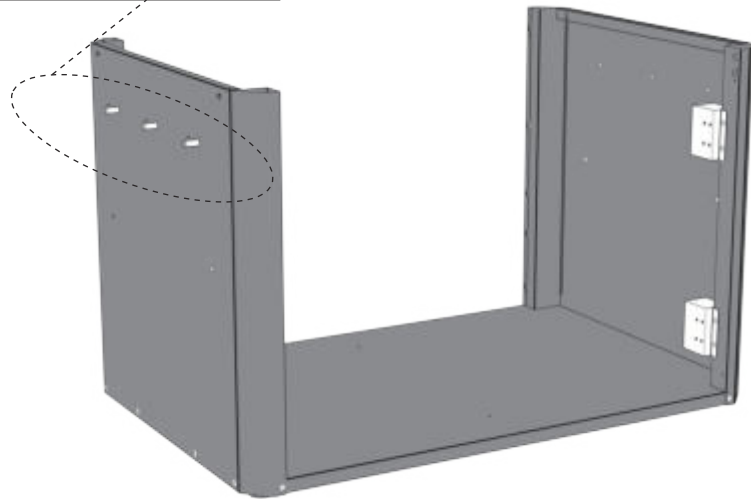
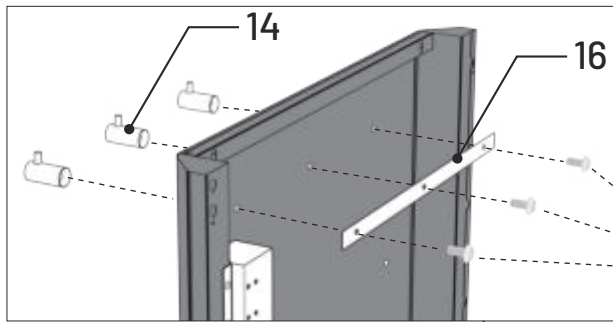


M4X8-SS



3pcs.

9

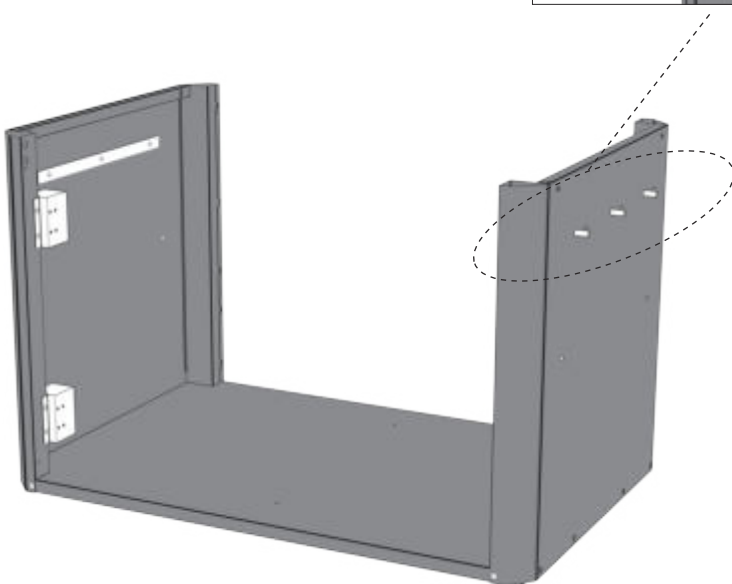
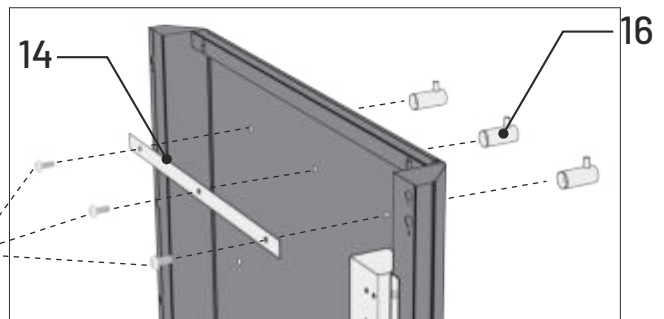




M4X8-SS

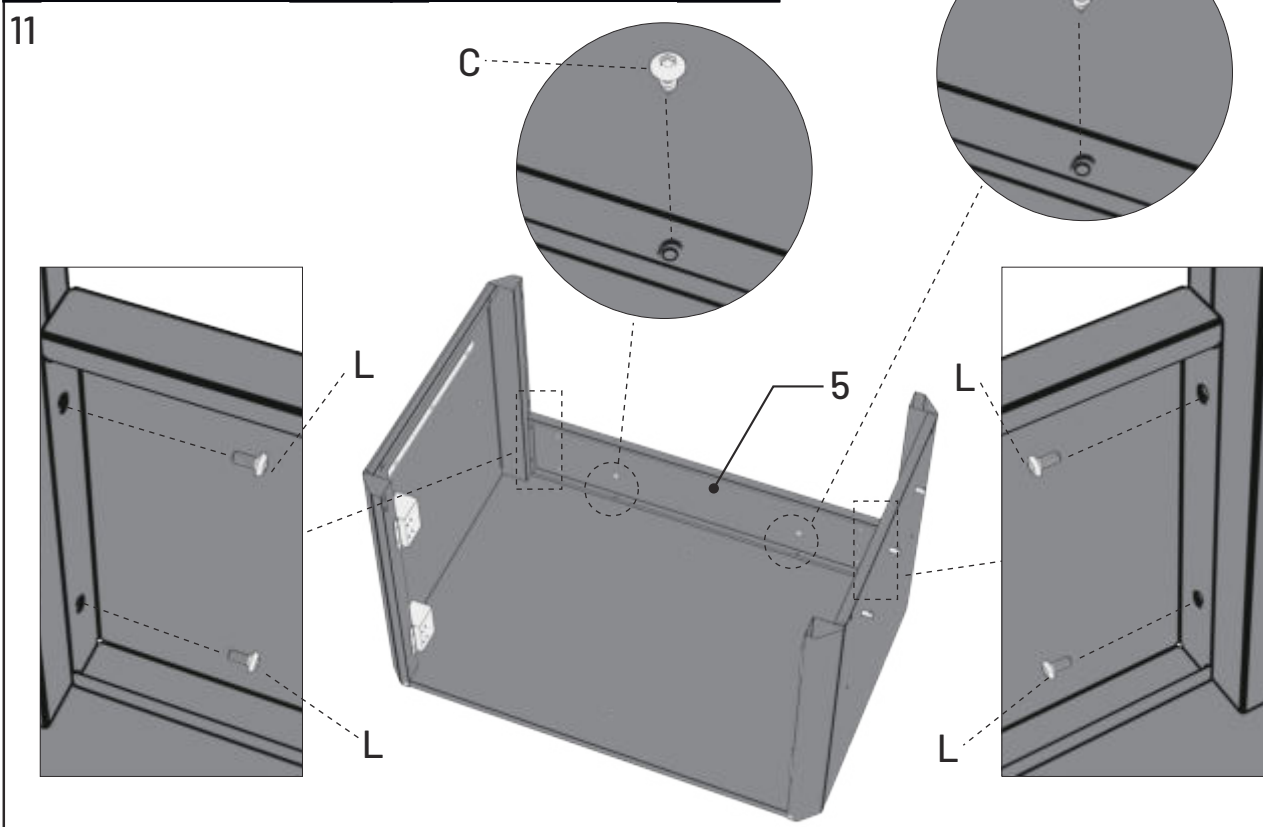




3pcs.

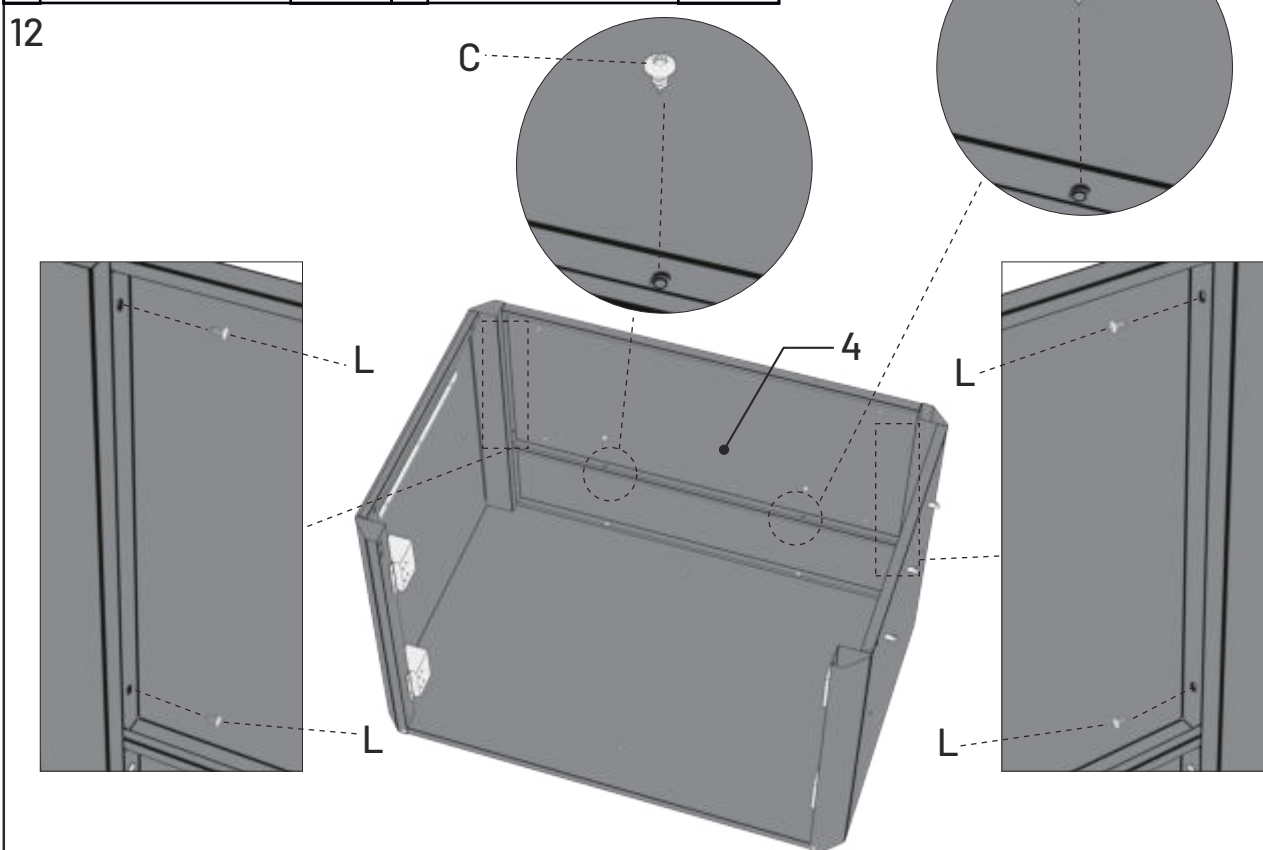
10




C	ST4.2X10 	2pcs.	L	M4X8 	4pcs.
---	---	-------	---	---	-------

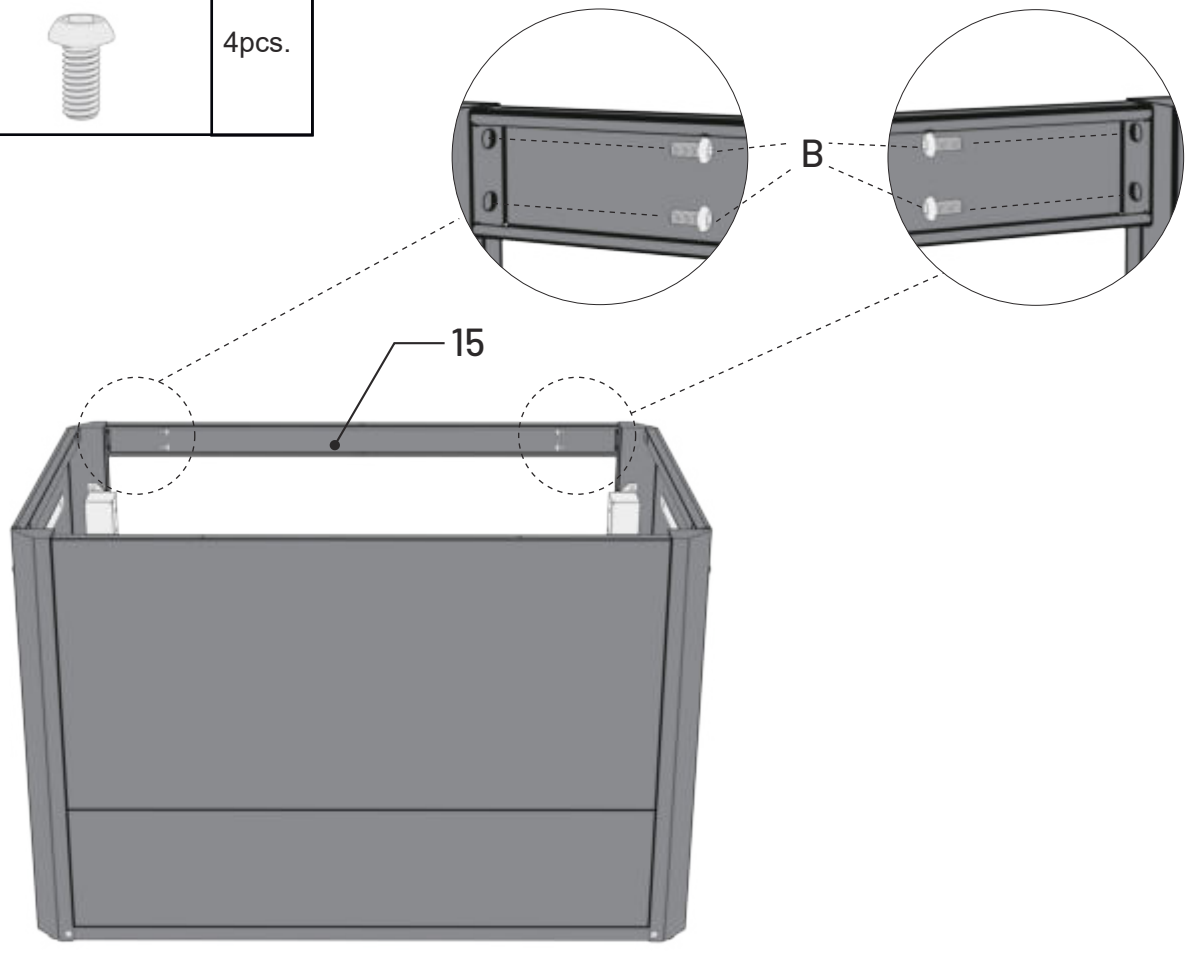



C	ST4.2X10 	2pcs.	L	M4X8 	4pcs.
---	---	-------	---	---	-------



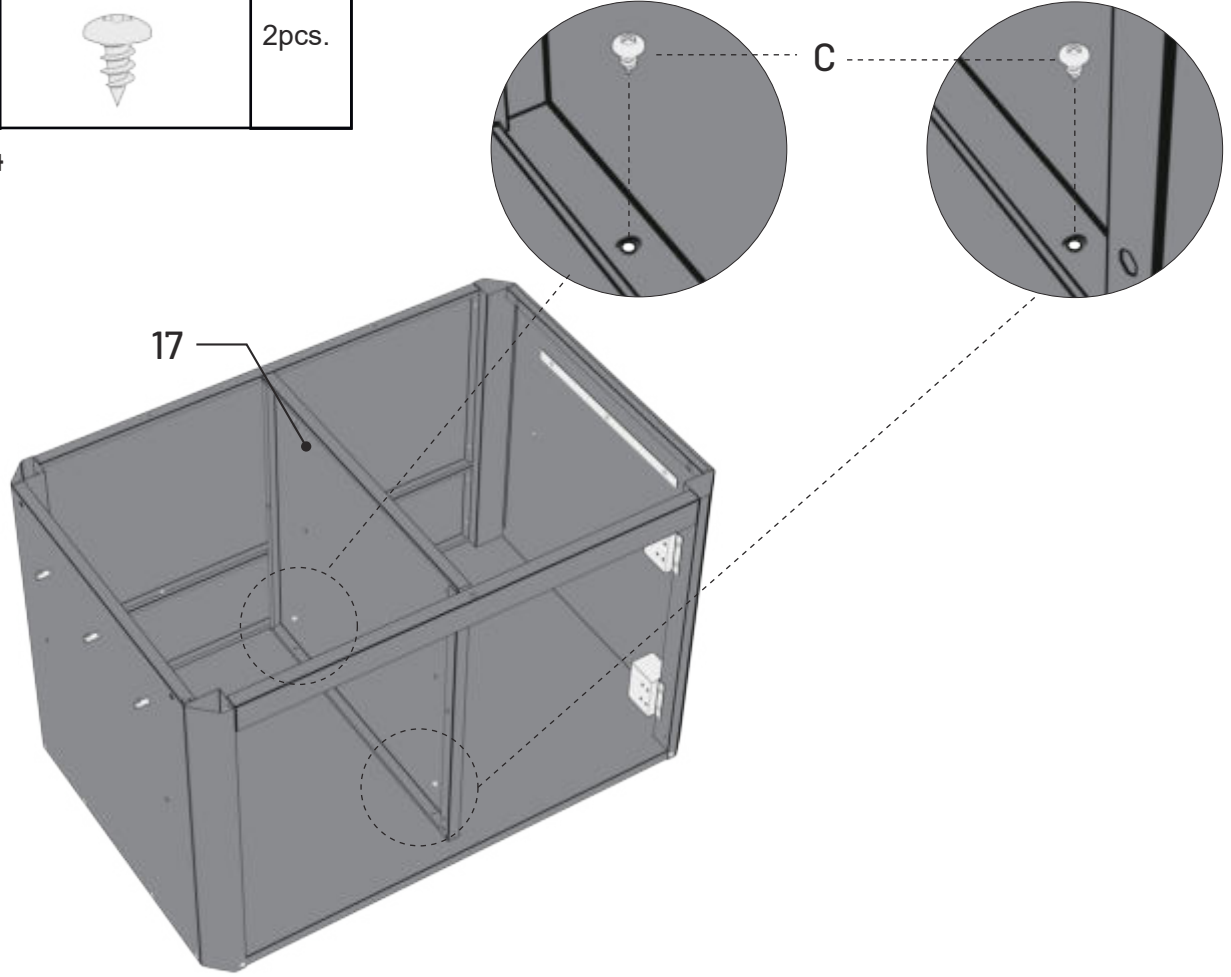
B	M6X12 	4pcs.
---	--	-------

13



C	ST4.2X10 	2pcs.
---	---	-------

14

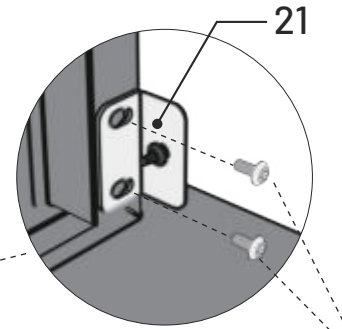
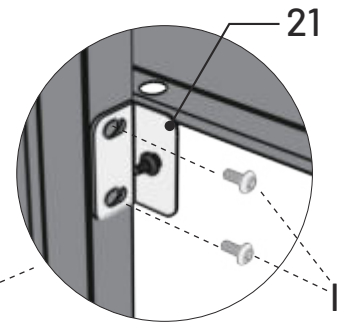
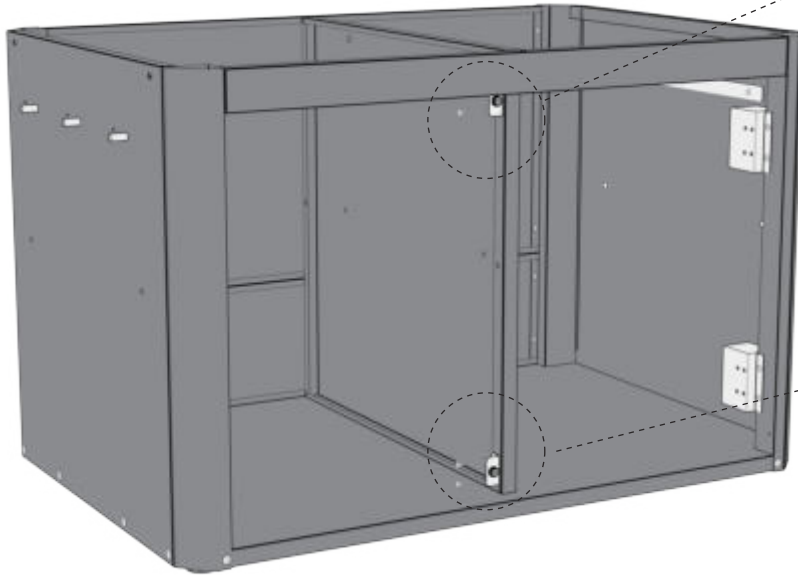


M4X8-SS



4pcs.

15

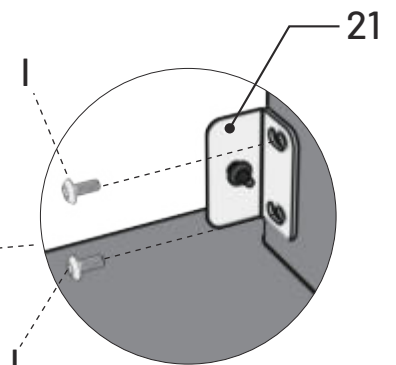
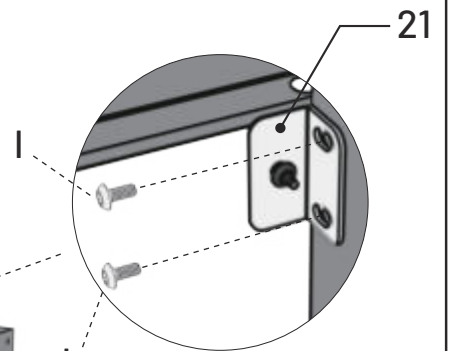
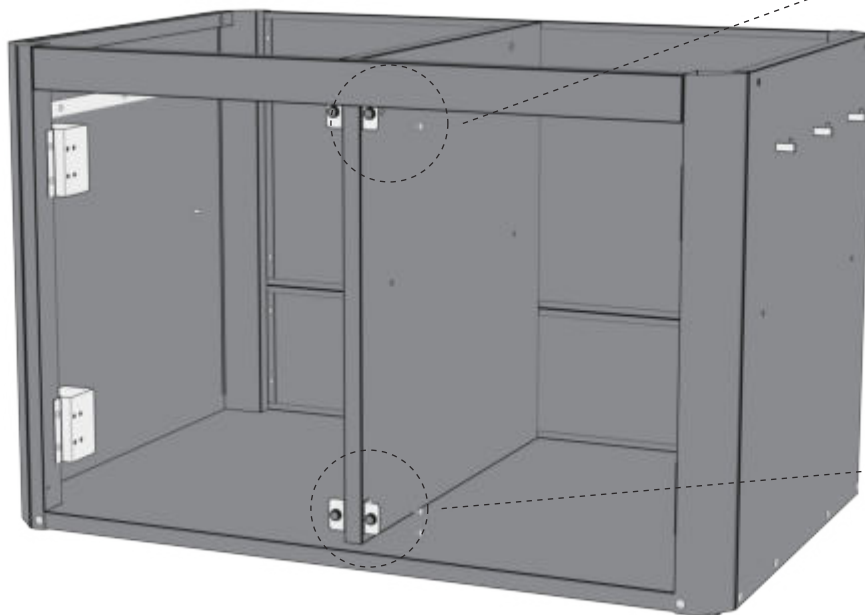


M4X8-SS



4pcs.

16



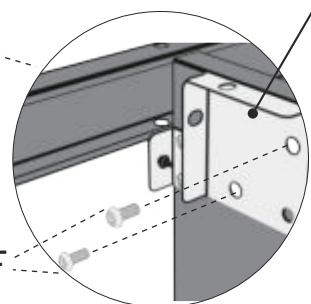
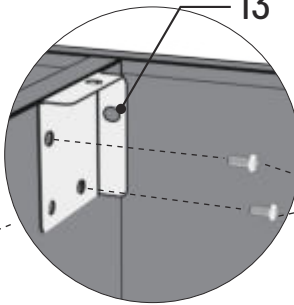
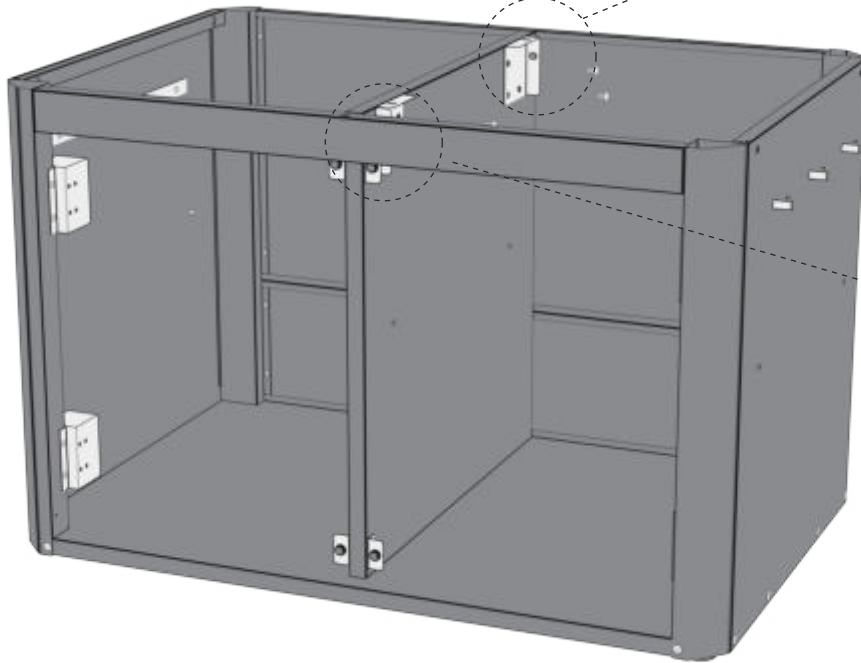
M6X12-SS

F

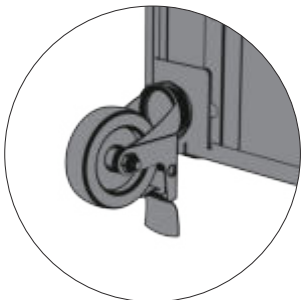
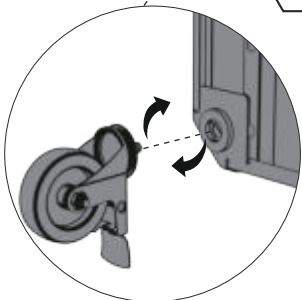
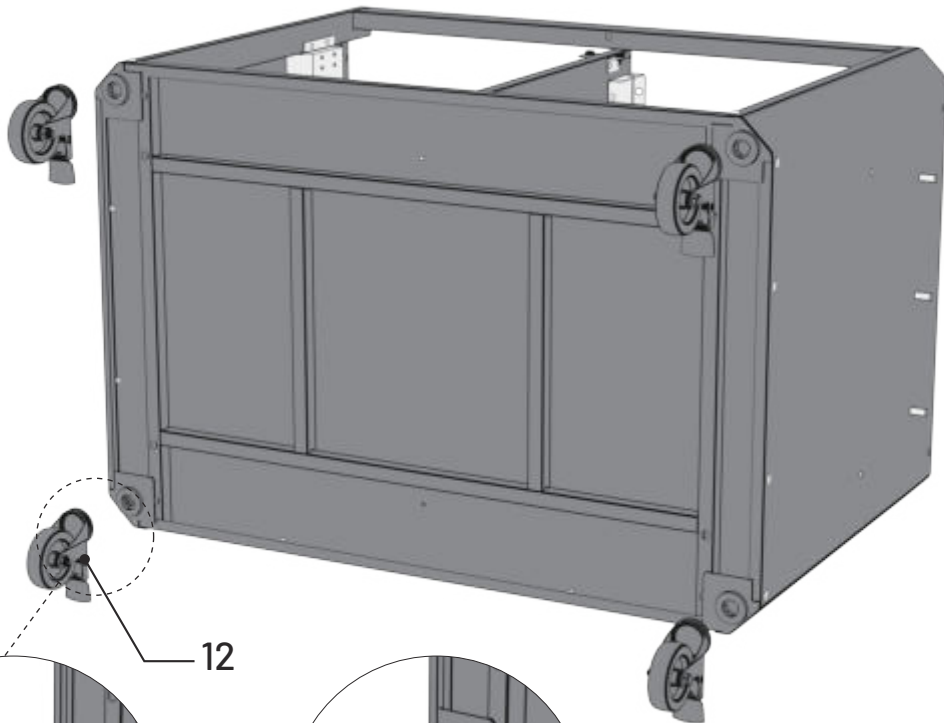



4pcs.

17

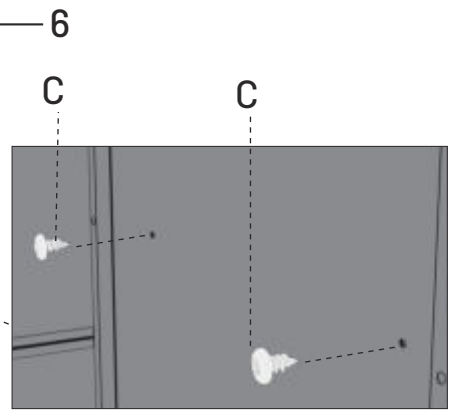
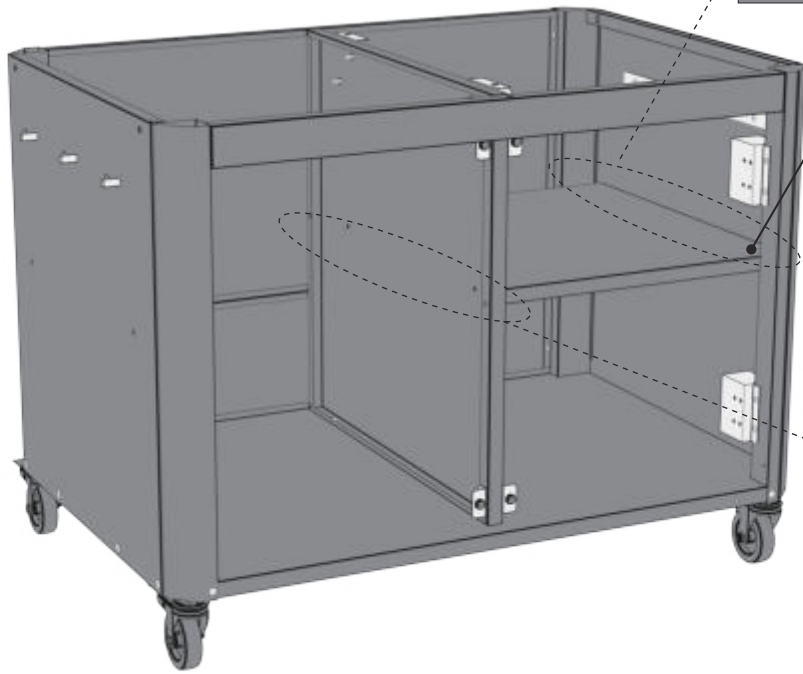
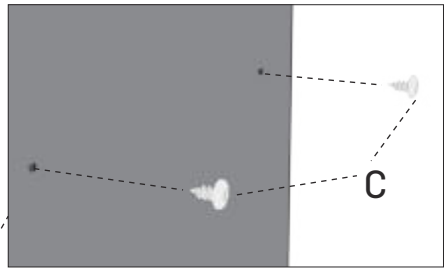




18



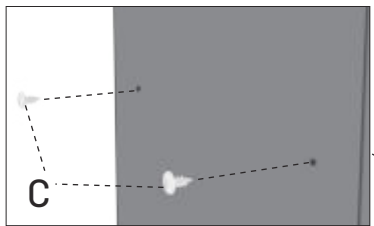
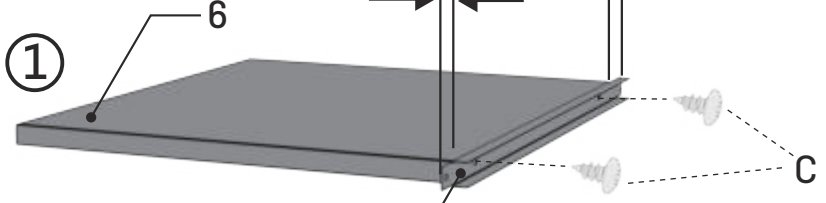
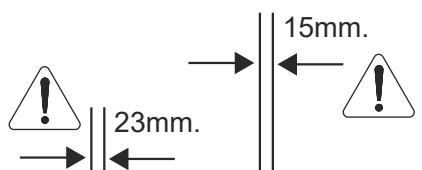
	ST4.2X10	
C		4pcs.

19

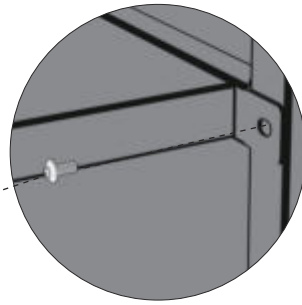
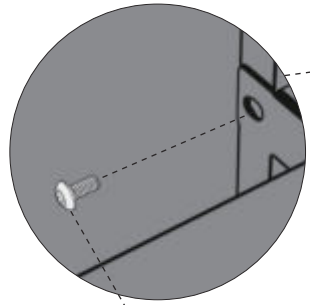
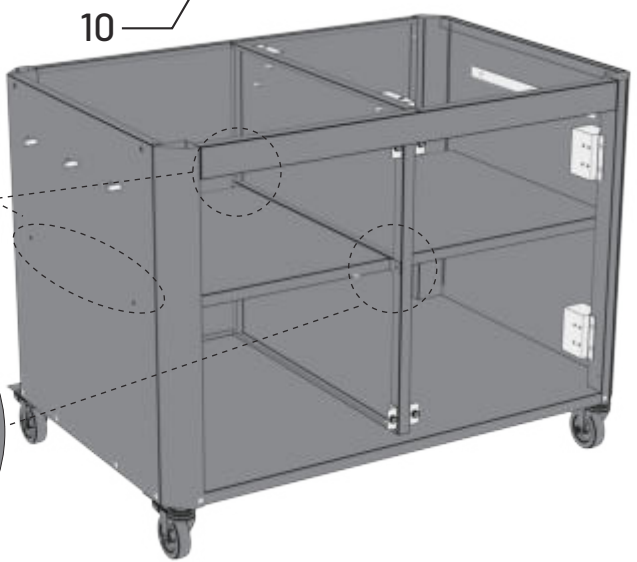


	ST4.2X10		M4X8	
C		4pcs.	L	
				2pcs.

20

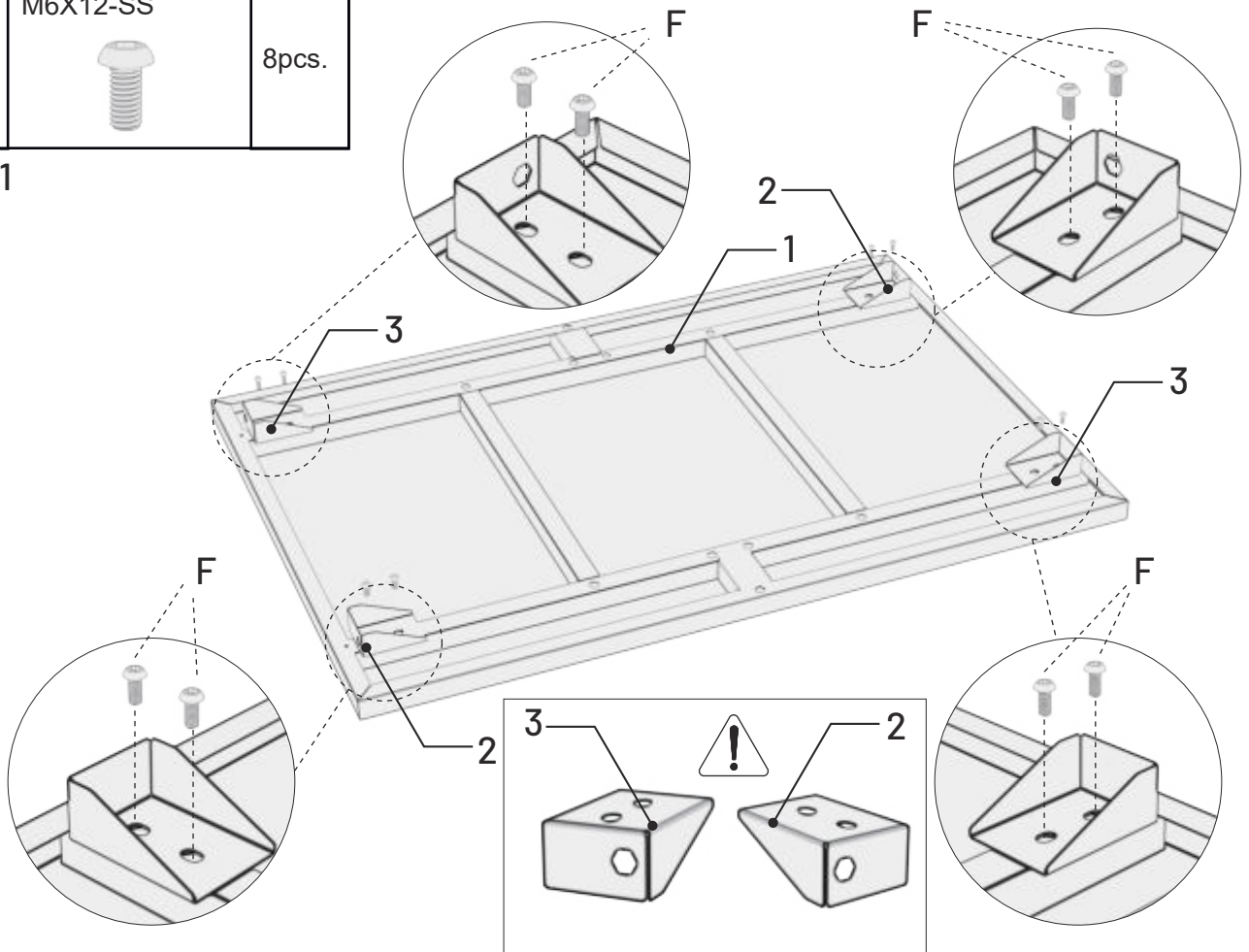


②



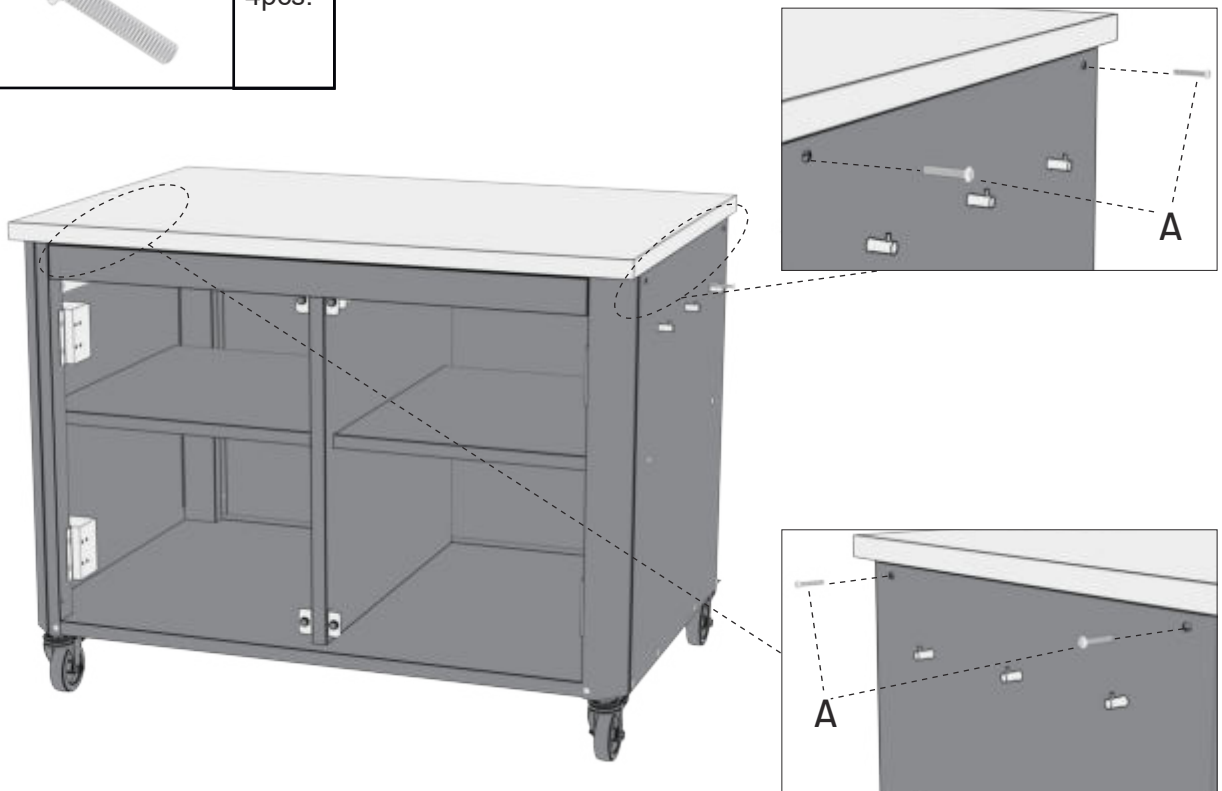
F	 <p>M6X12-SS</p>	8pcs.
---	---	-------



21



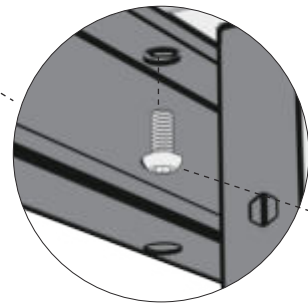
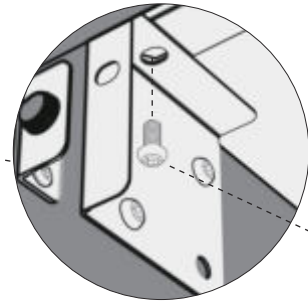
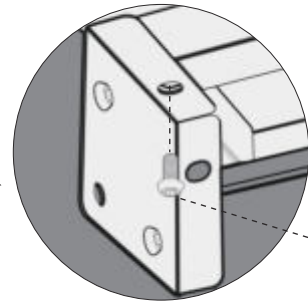
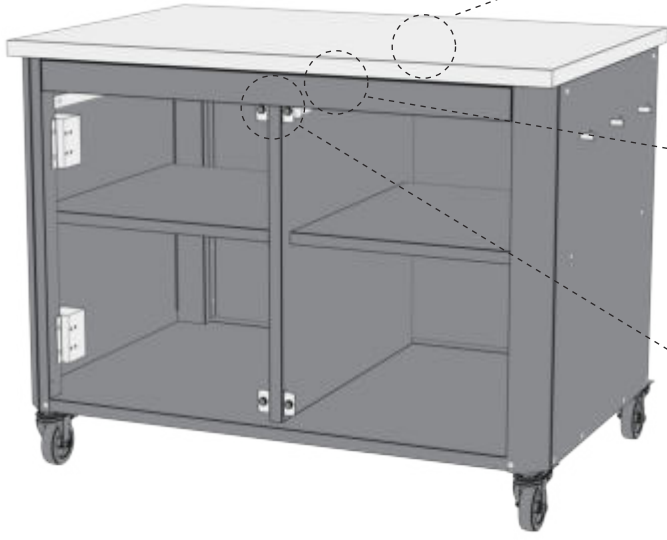
A	 <p>M6X30</p>	4pcs.
---	--	-------



22



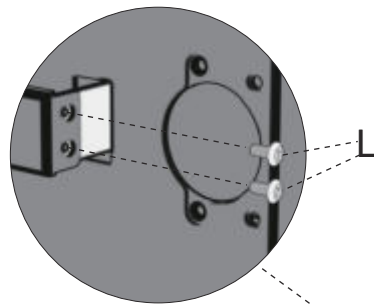
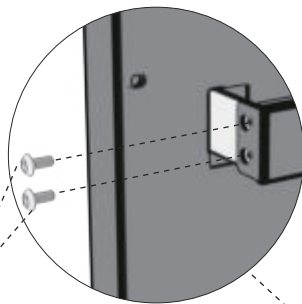
	M6X12-SS		M6X12	
F		2pcs.		1pc.

23

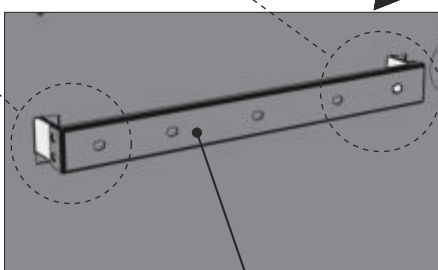
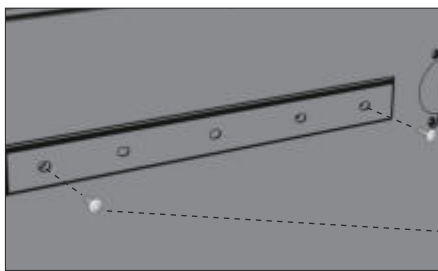


	M4X8		M4X16	
L		4pcs.		2pcs.

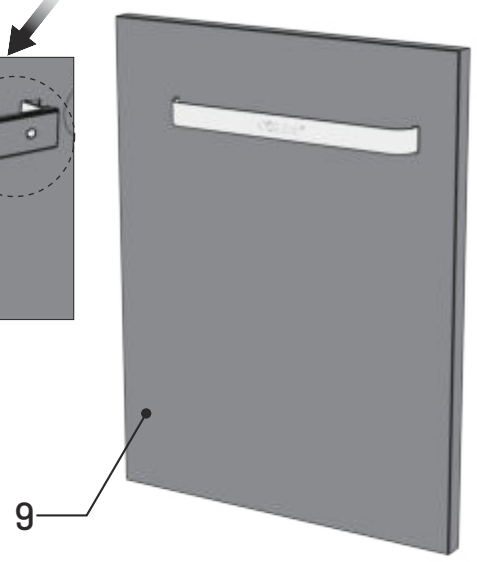
24




19

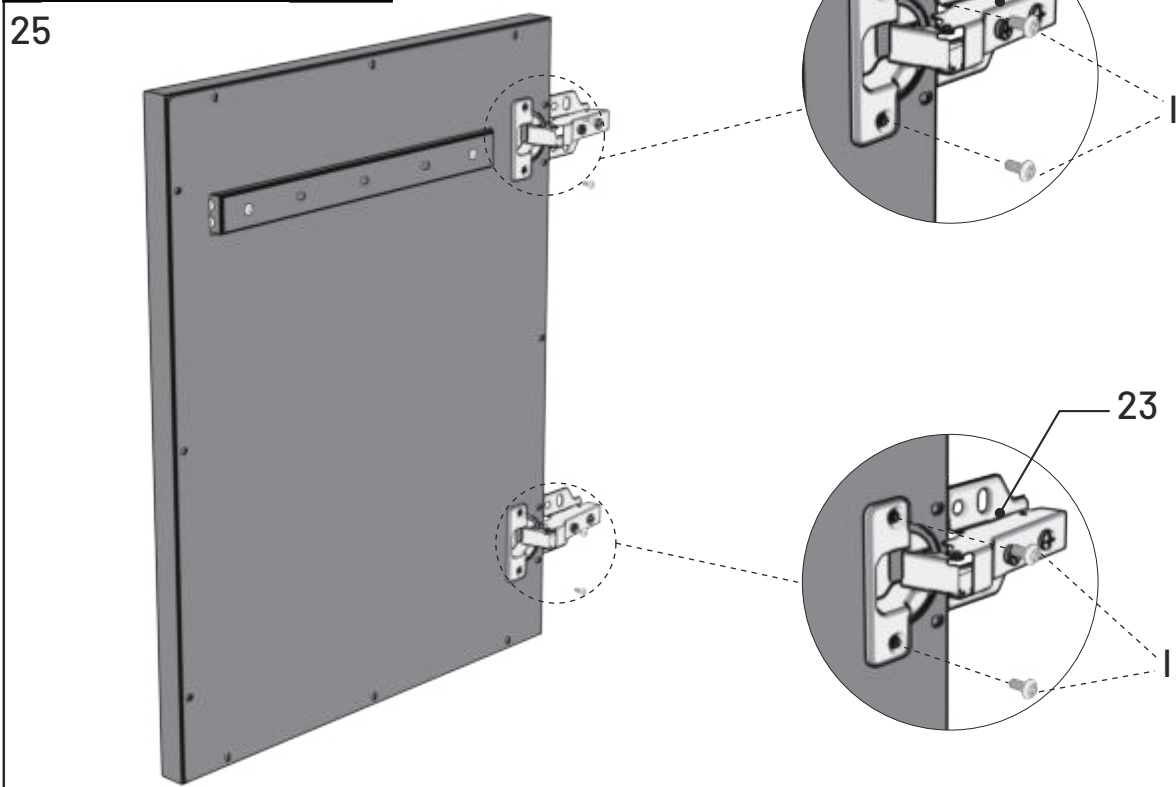




7

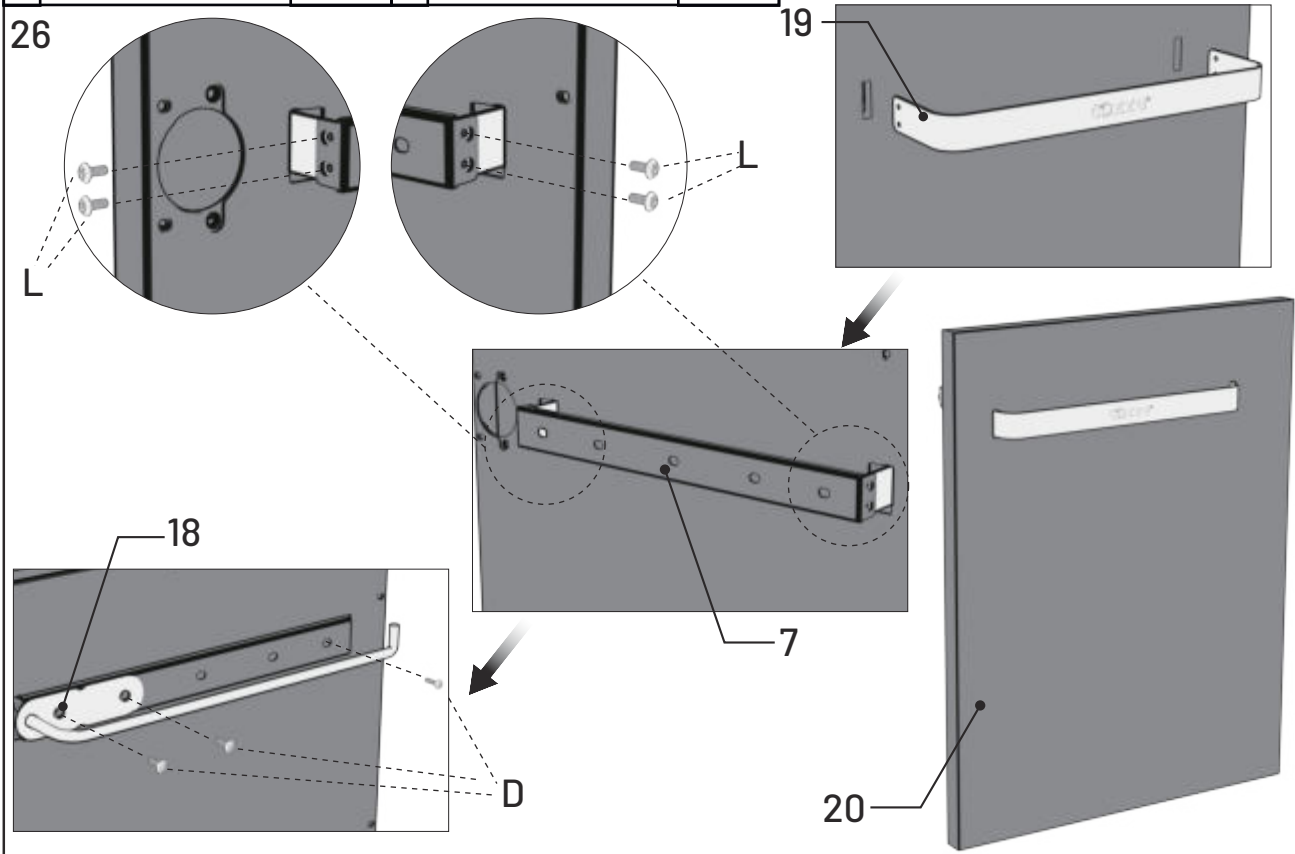


9

I	M4X8-SS 	4pcs.
---	--	-------



L	M4X8 	4pcs.	D	M4X16 	3pcs.
---	---	-------	---	--	-------

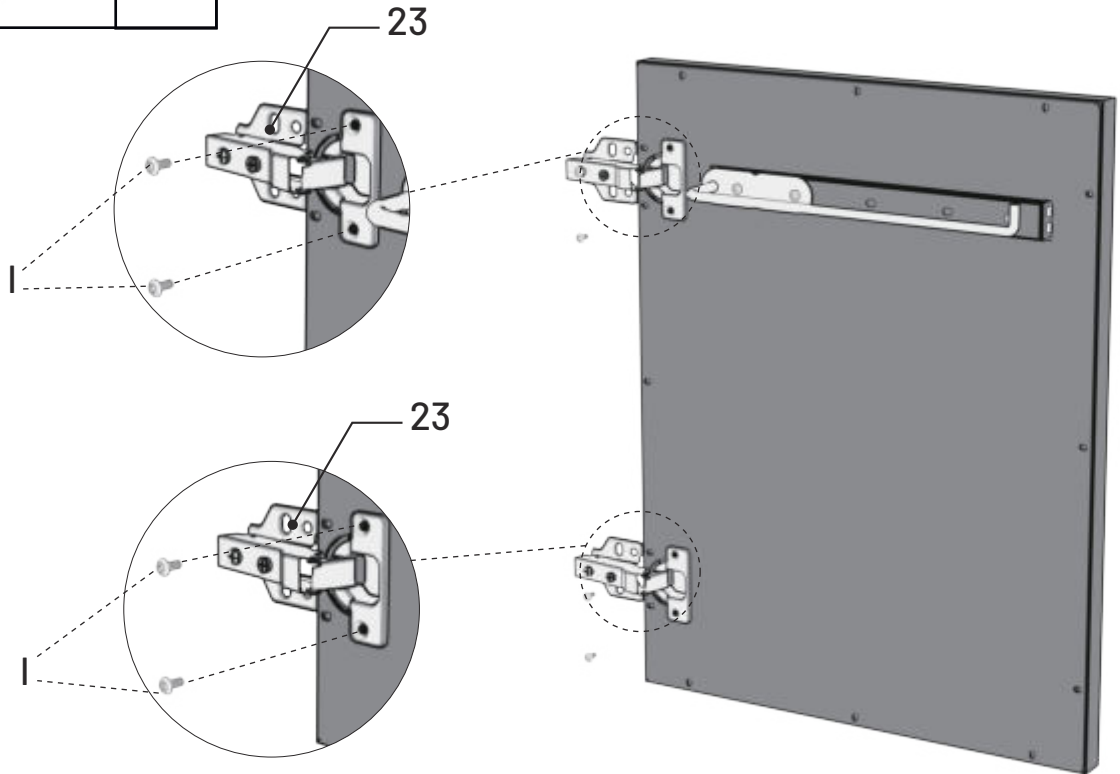


M4X8-SS



4pcs.

27

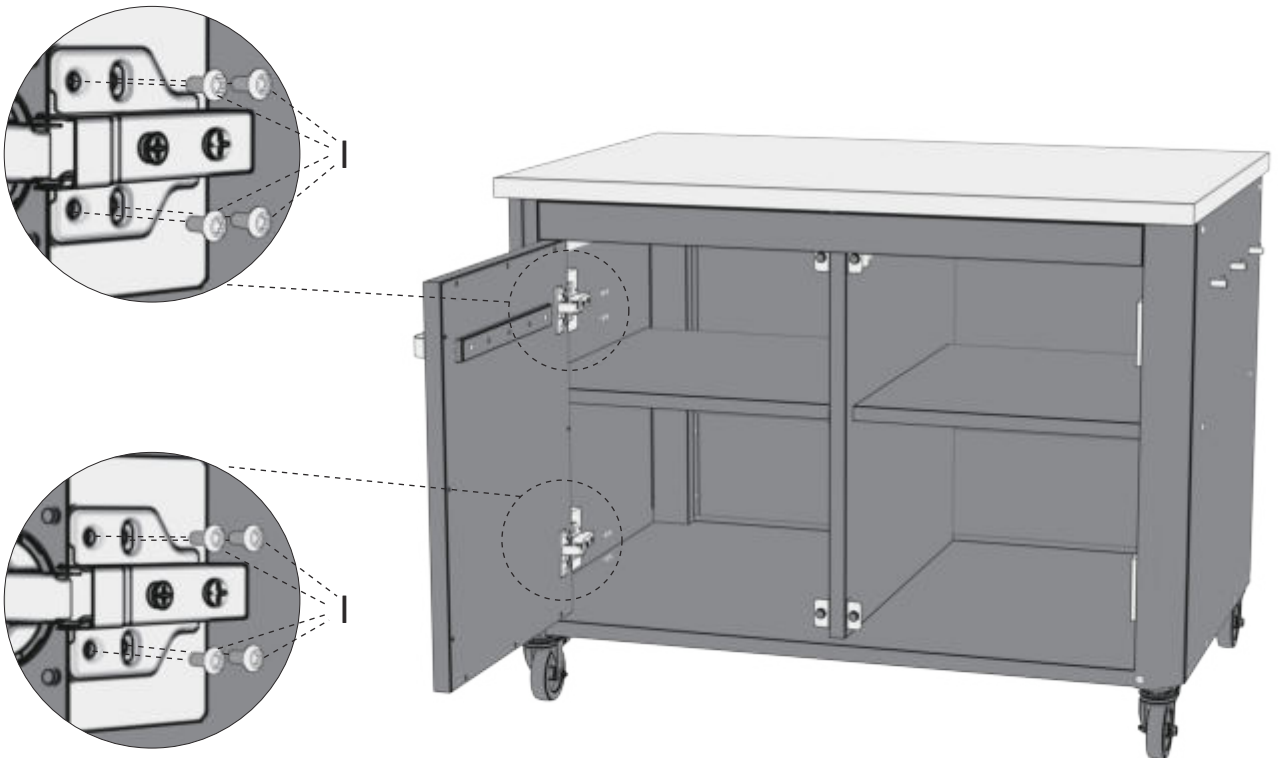


M4X8-SS



8pcs.

28



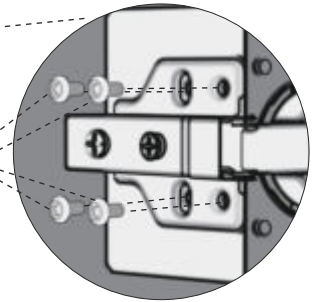
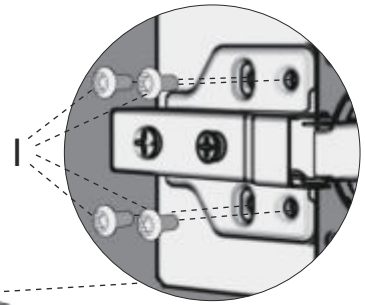
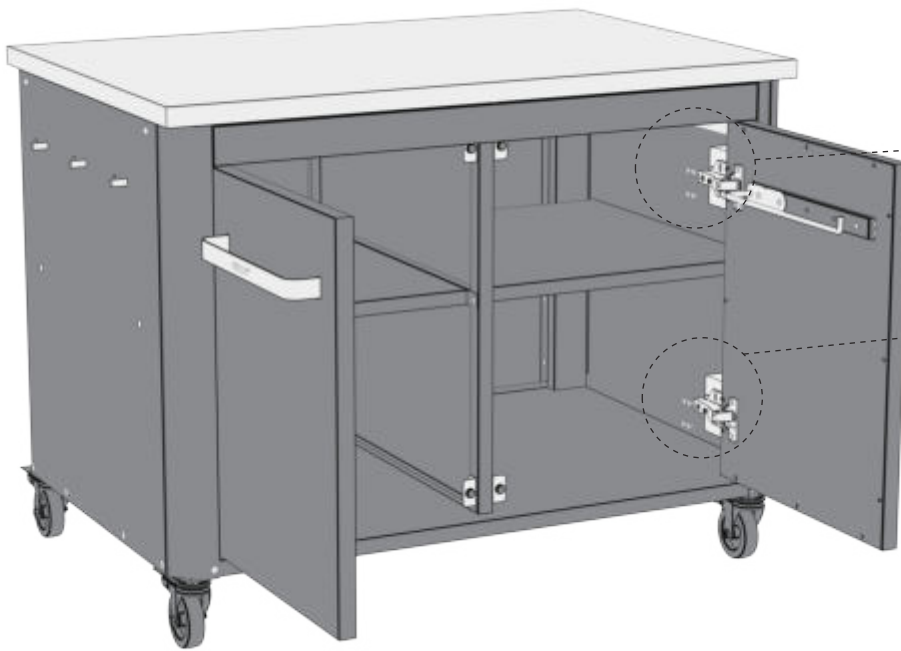
M4X8-SS

1

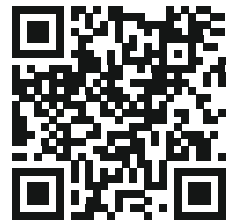
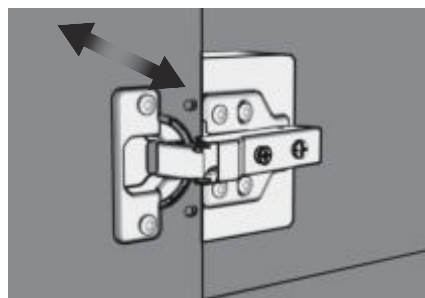
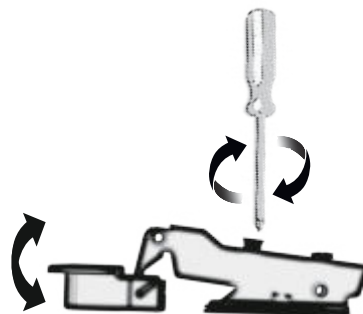
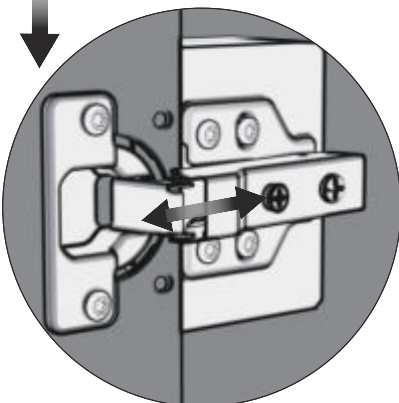
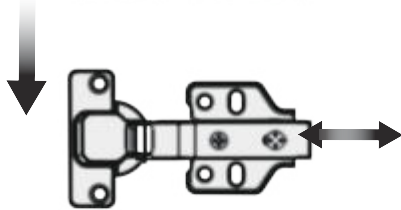
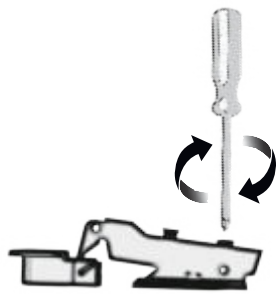


8pcs.

29



30



31



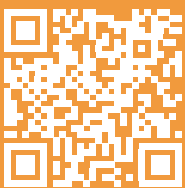
OK

FIND A VIDEO ON HOW TO
ASSEMBLE THE OUTDOOR KITCHEN AT
COZZEBBQ.COM/ASSEMBLY

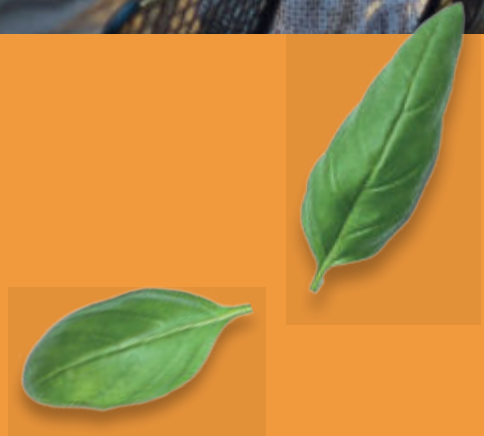




FIND A VIDEO ON HOW TO
ASSEMBLE THE OUTDOOR KITCHEN AT
[COZZEBBQ.COM/ASSEMBLY](https://cozzebbq.com/assembly)



Manufactured by
Millarco International A/S
Rokhøj 26, 8520 Lystrup - Denmark
millarco.com
cozzebbq.com



cozze®