

ASSEMBLY INSTRUCTIONS FOR OUTDOOR KITCHEN

115

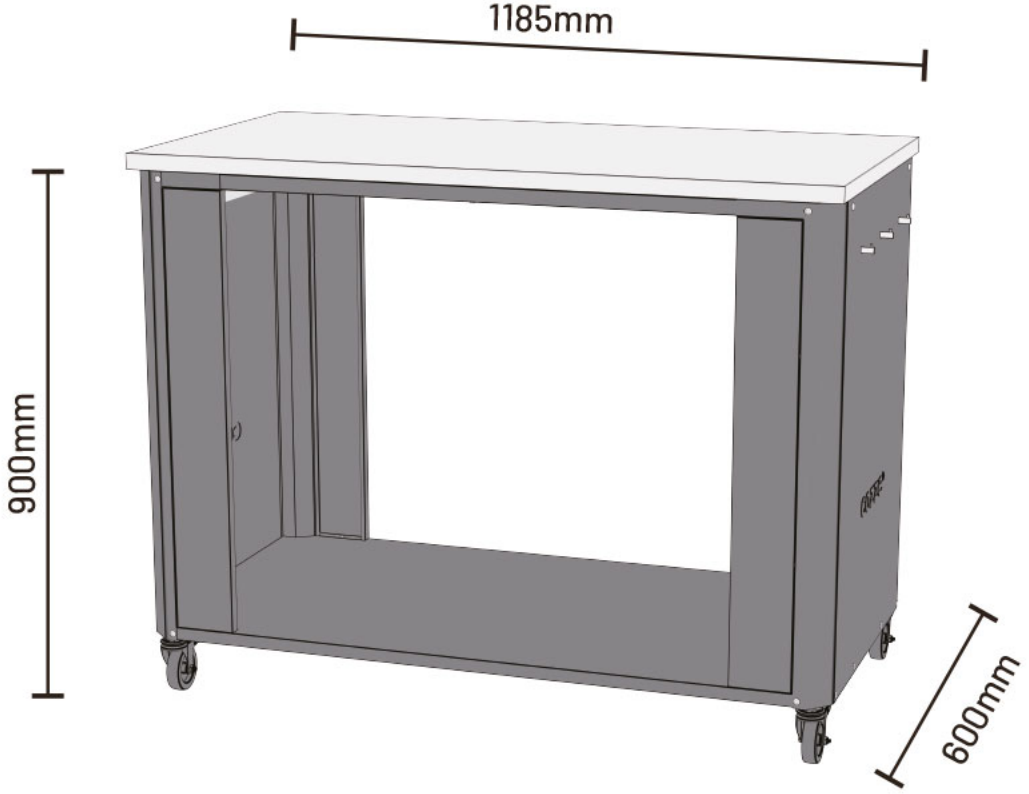
COLINES
BY COZZE

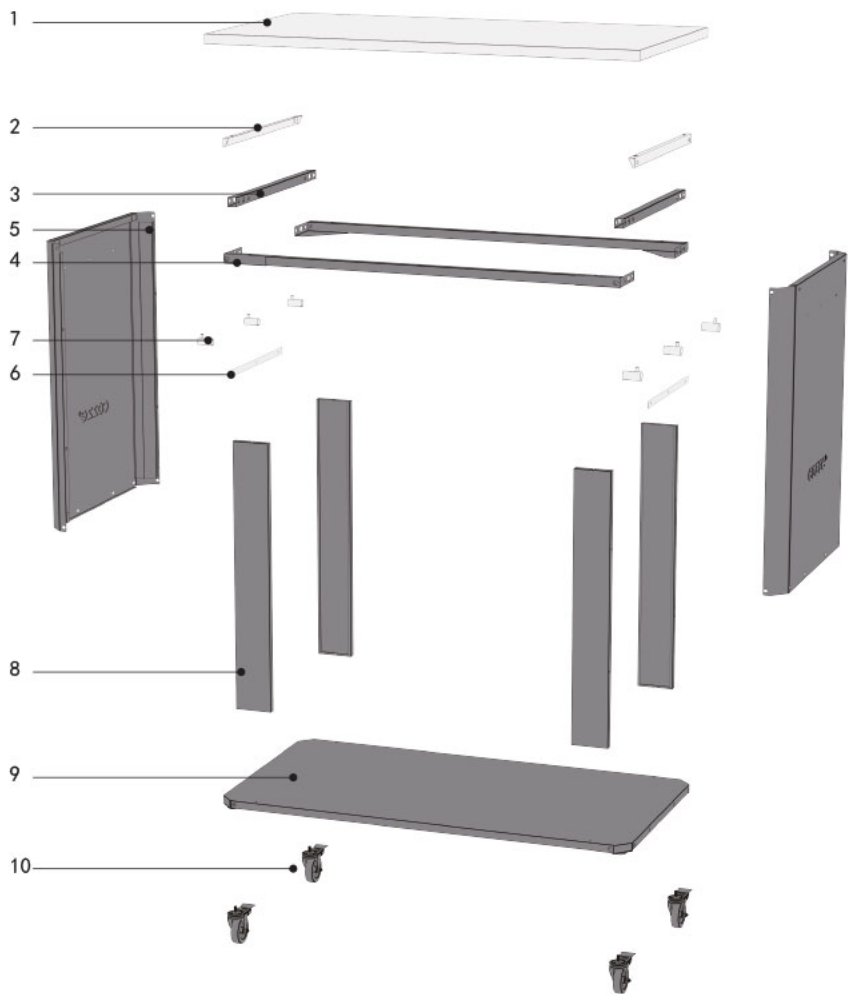



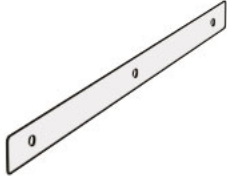

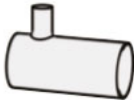

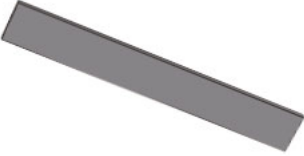




FIND A VIDEO ON HOW TO
ASSEMBLE THE OUTDOOR KITCHEN AT
COZZEBBQ.COM/ASSEMBLY



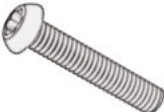


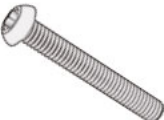




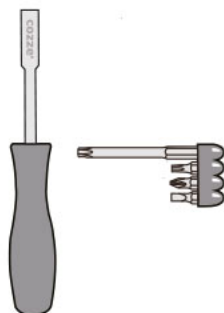
cozze®



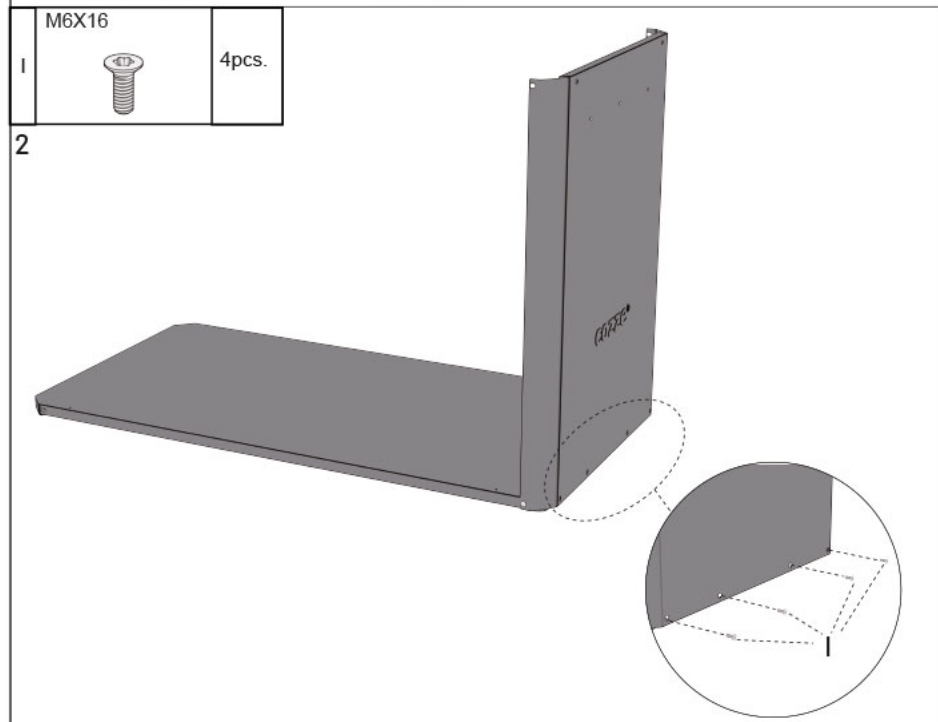
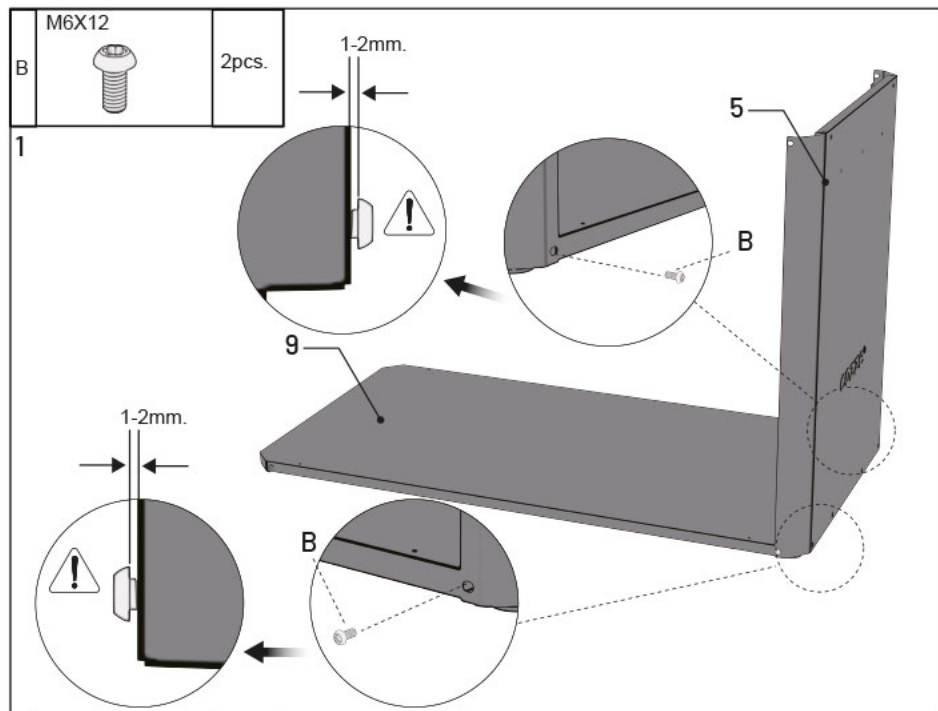


1		1pc.	6		2pcs.
2		2pcs.	7		6pcs.
3		2pcs.	8		4pcs.
4		2pcs.	9		1pc.
5		2pcs.	10		4pcs.

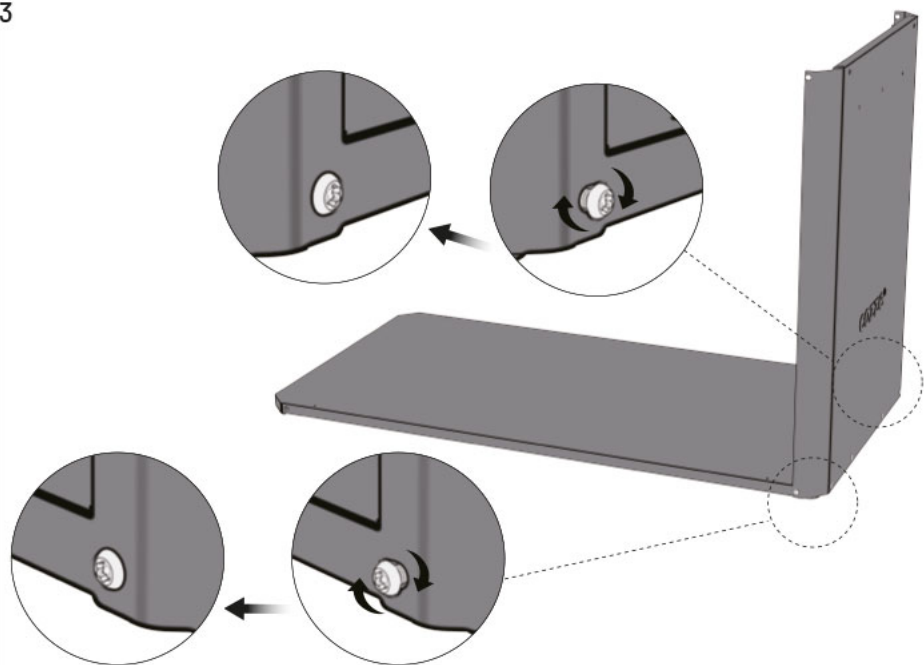
B	M6X12 	16pcs.	C	M4X8-TT 	8pcs.
A	M6X30 	4pcs.	D	M6X11-SS 	4pcs.
I	M6X16 	8pcs.	F	M6X40 	2pcs.
J	M4X8-SS 	6pcs.	L	M4X8 	8pcs.




(Included)

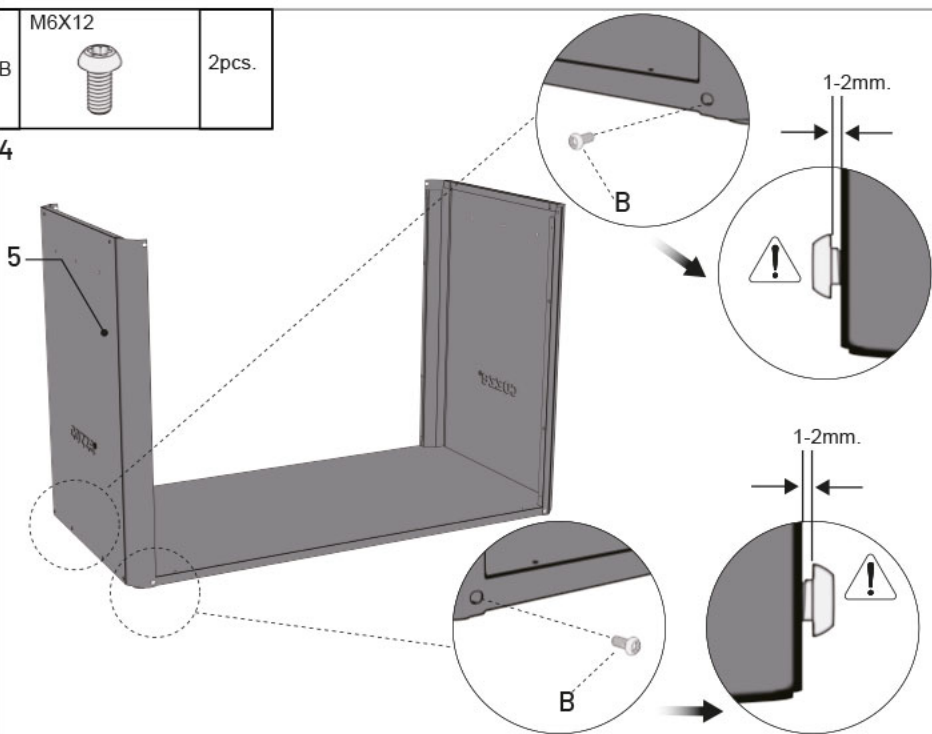


3



	M6X12	
B		2pcs.

4



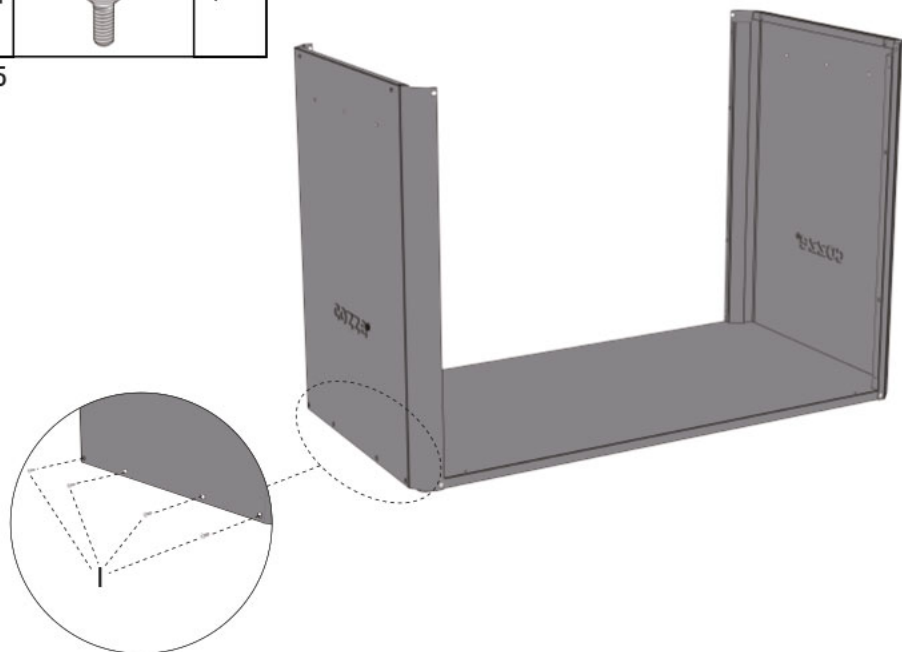
M6X16

1

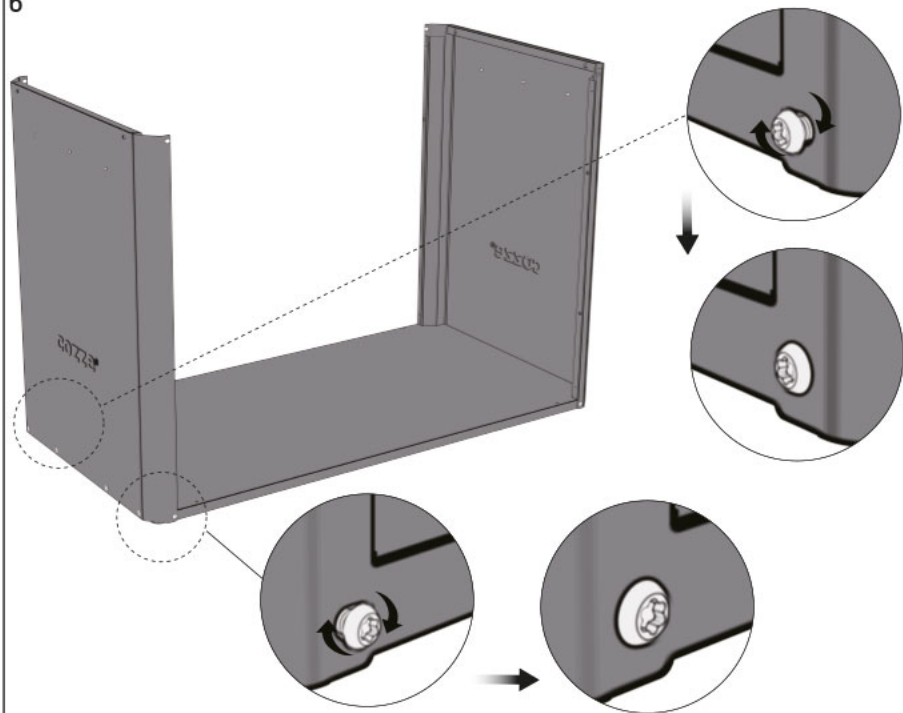


4pcs.

5



6



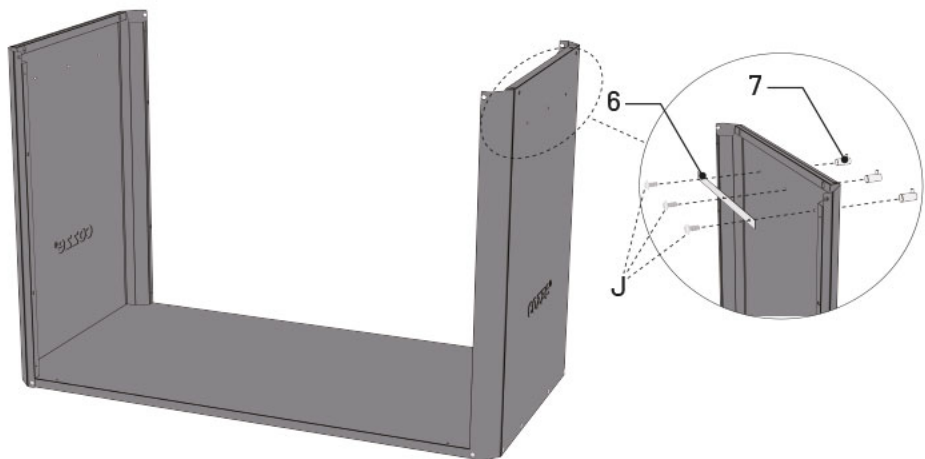
M4X8-SS

J



3pcs.

7



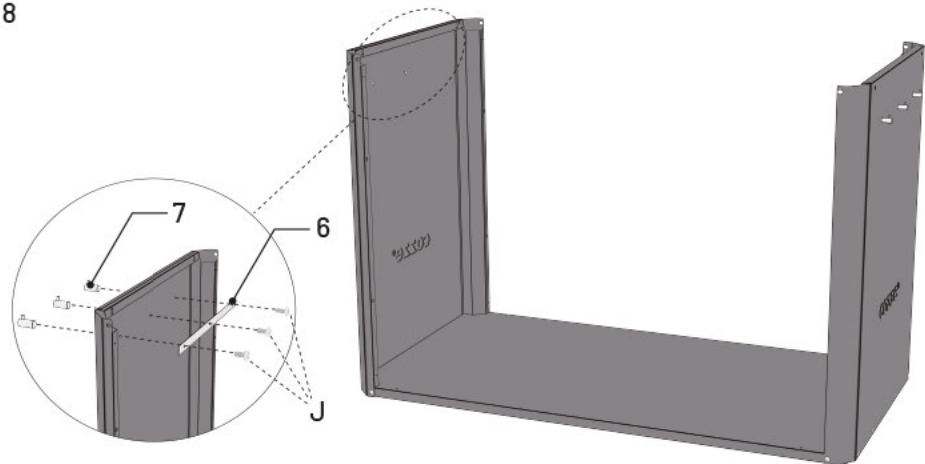
M4X8-SS



J

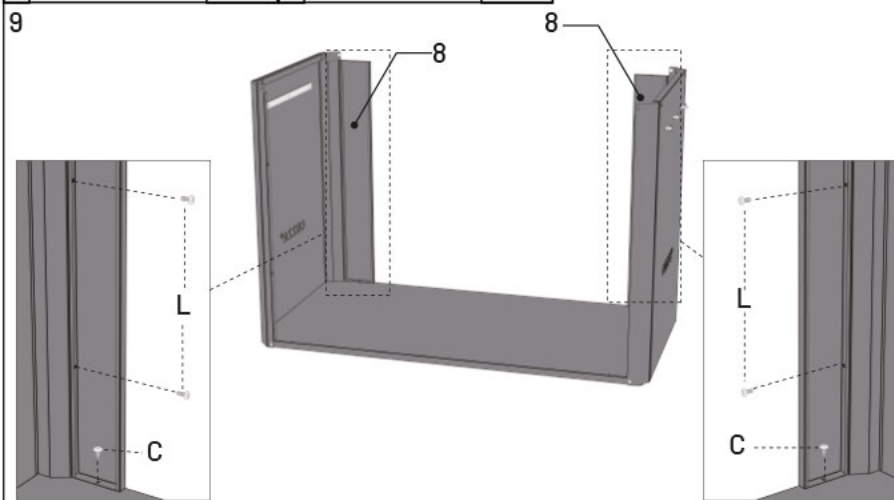




3pcs.

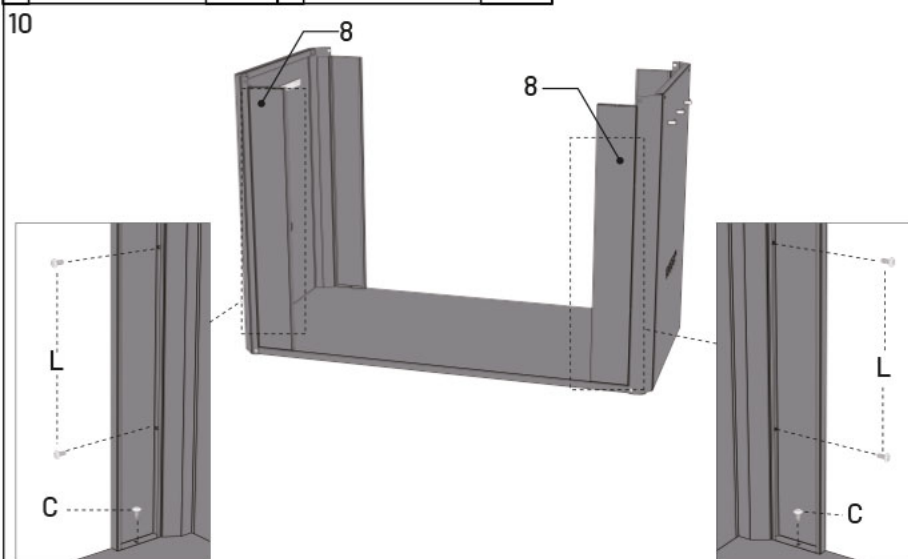
8

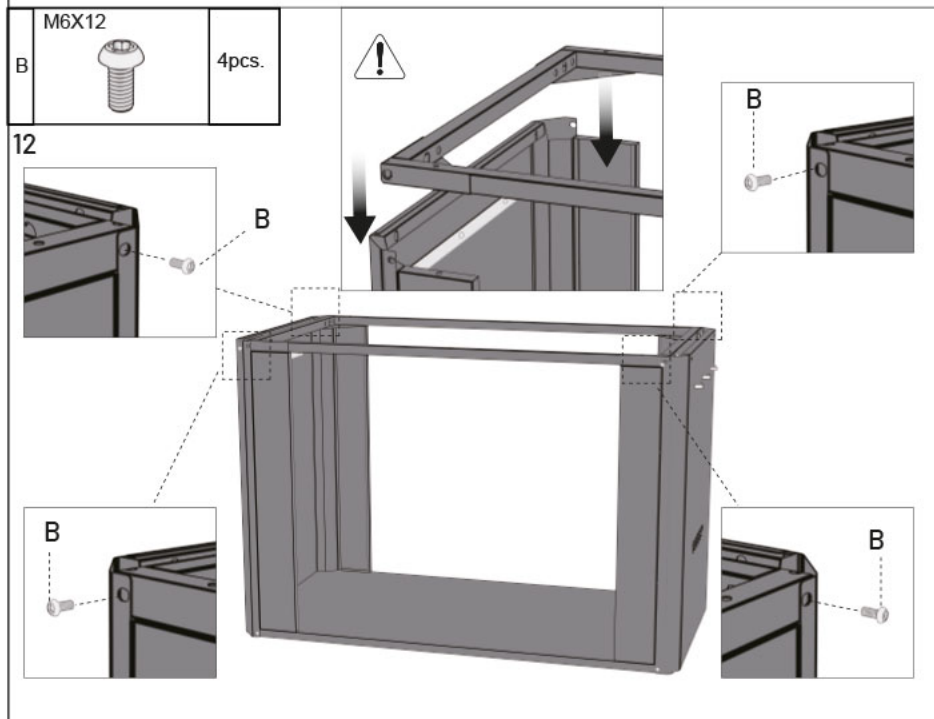
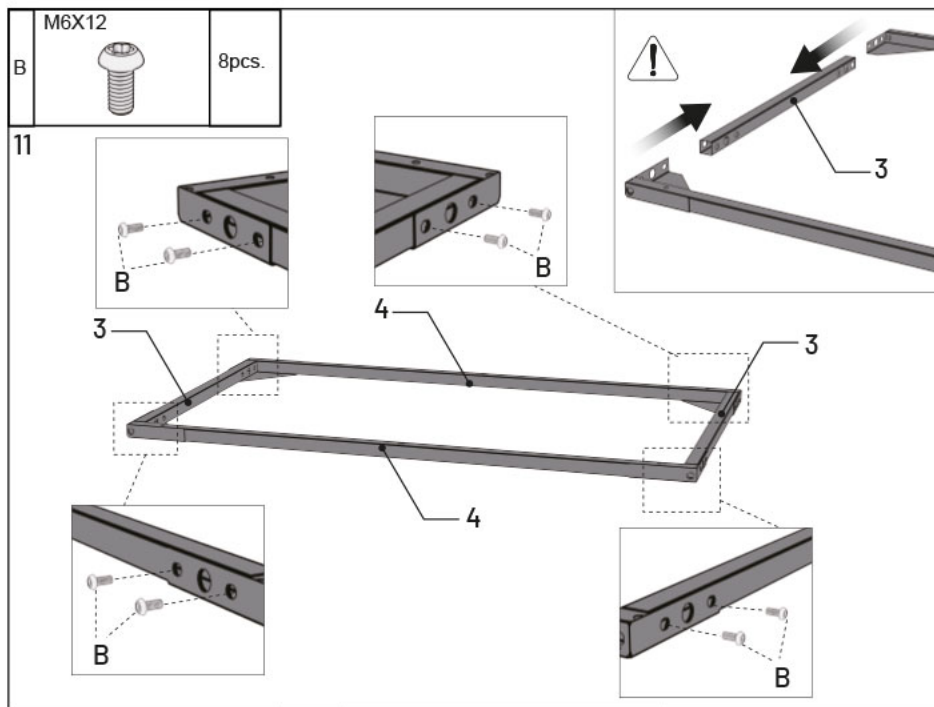



	M4X8		M4X8-TT	
L		4pcs.		2pcs.



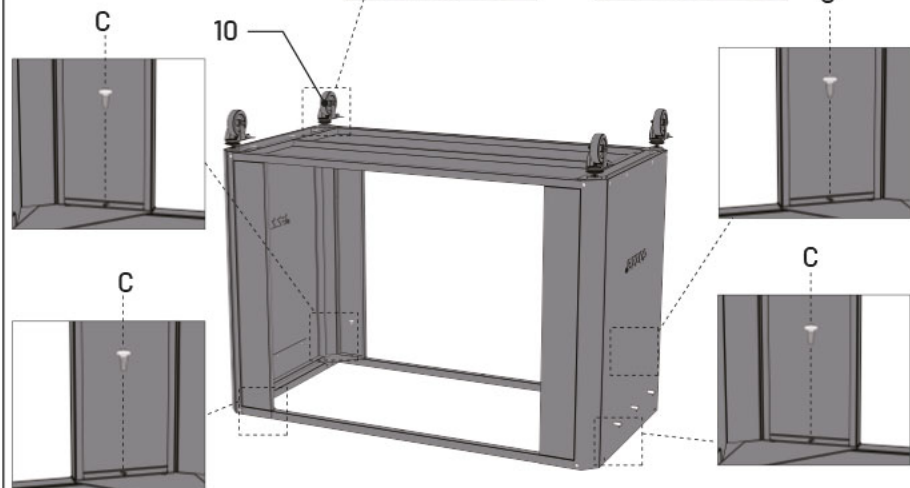
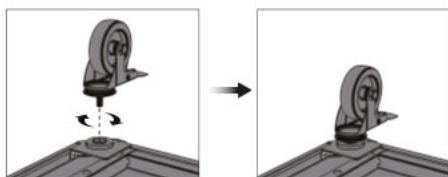
	M4X8		M4X8-TT	
L		4pcs.		2pcs.






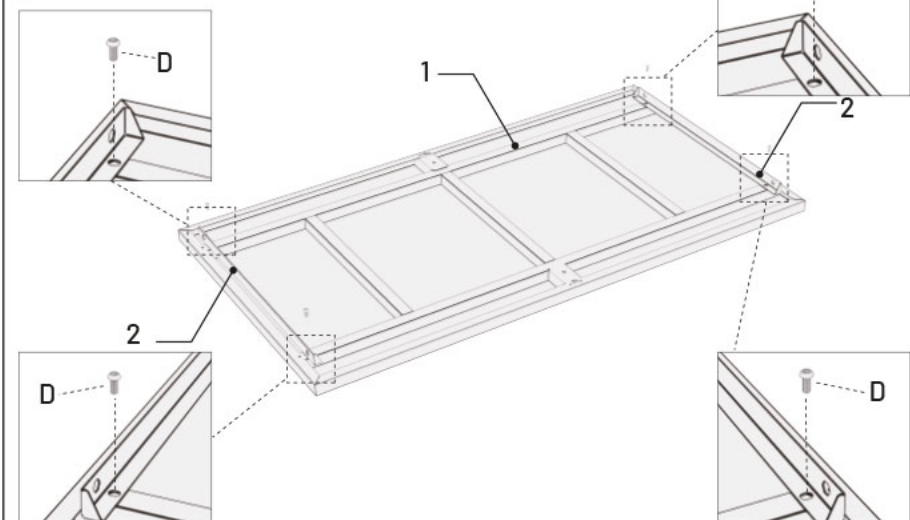
C	M4X8-TT 	4pcs.
---	---	-------

13



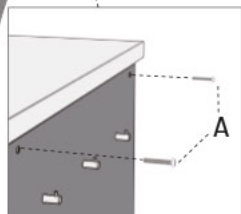
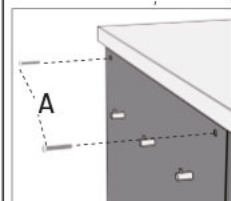
D	M6X11-SS 	4pcs.
---	---	-------

14



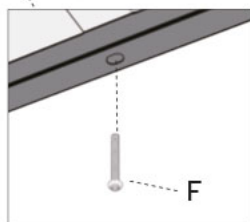
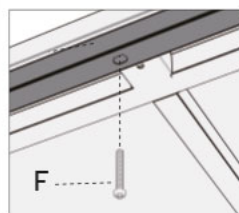
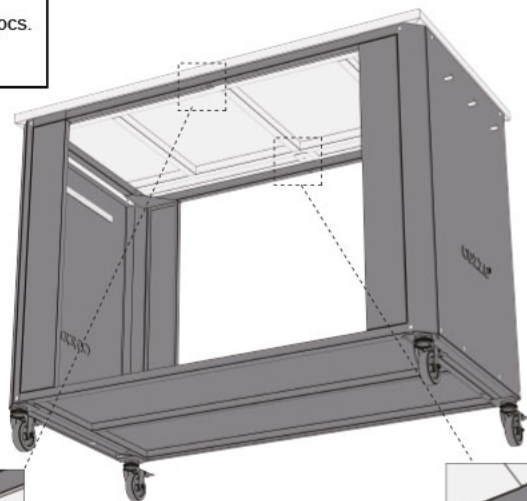
	M6X30	
A		4pcs.

15



	M6X40	
F		2pcs.

16





OK

FIND A VIDEO ON HOW TO
ASSEMBLE THE OUTDOOR KITCHEN AT
COZZEBBQ.COM/ASSEMBLY





FIND A VIDEO ON HOW TO
ASSEMBLE THE OUTDOOR KITCHEN AT
COZZEBBQ.COM/ASSEMBLY



Manufactured by
Millarco International A/S
Rokhøj 26, 8520 Lystrup - Denmark
millarco.com
cozzebbq.com



cozze[®]