

CONGRATULATIONS ON YOUR NEW 13" PREMIUM PIZZA OVEN



USER MANUAL | GEBRAUCHSANWEISUNG | MANUEL D'UTILISATION
 MANUAL DE USO | MANUALE D'USO | BRUGERVEJLEDNING | BRUKSANVISNING
 BRUKSANVISNING | INSTRUKCJA OBSŁUGI | GEBRUIKSAANWIJZING | MANUAL DO UTILIZADOR
 KASUTUSJUHEND | KÄYTTÖOPAS | MANUAL DE UTILIZARE | KORISNICI PRIRUČNIK
 NAUDOTOJO VADOVAS | POUŽÍVATEĽSKÁ PRÍRUČKA | NAVODILA ZA UPORABO
 UŽIVATEĽSKÁ PRÍRUČKA | FELHASZNÁLÓI KEZIKÖNYV | KULLANCI KILAVUZU
 Εγχειρίδιο χρήστη | Ръководство за потребителя
 Lietotāja rokasgrāmata | מדריך למשתמש



cozze®

HAPPINESS
BY COLLE

Table of Contents

EN	England	4
DE	Germany	12
FR	France	20
ES	Spain	28
IT	Italy	36
DK	Denmark	44
NO	Norway	52
SE	Sweden	60
IS	Iceland	68
PL	Poland	76
NL	Netherlands	84
PT	Portugal	92
EST	Estonia	100
FI	Finland	108
GR	Greece	116
RO	Romania	124
HR	Croatia	132
BG	Bulgaria	140
LV	Latvia	148
LT	Lithuania	156
SK	Slovakia	164
SLO	Slovenia	172
CZ	The Czech Republic	180
HU	Hungary	188
HE	Hebrew	196
TR	Türkiye	204
ةيبرعلا	Arabic	212

ELECTRIC PIZZA OVEN

EN - User Manual

Read and follow these statements to help ensure safety and prevent property damage.

CAUTION: Indicates a hazardous situation which, if not avoided, could result in a minor or moderate injury.

WARNING: Indicates a hazardous situation which, if not avoided, could result in death or serious injury.

DANGER: Indicates a hazardous situation which, if not avoided, will result in death or serious injury.

WARNING!

Read this instruction carefully and ensure that your pizza oven is properly installed, assembled, maintained and serviced in accordance to these instructions. Failure to follow these instructions may result in serious bodily injury and/or property damage.

If you have any questions concerning the assembly or operation of this pizza oven, please consult your dealer.

Notes to the user:

THIS PIZZA OVEN IS FOR HOUSEHOLD USE ONLY. READ THE INSTRUCTIONS BEFORE USING THE APPLIANCE.

WARNING: ACCESSIBLE PARTS MAY BE VERY HOT, KEEP YOUNG CHILDREN AWAY. DO NOT MOVE THE APPLIANCE DURING COOKING. RETAIN MANUAL FOR FUTURE REFERENCE. DRAWINGS ARE FOR REFERENCE ONLY.

ELECTRIC PIZZA OVEN			
90446 (13 INCH)		90448 (17 INCH)	
220-240 V~ 50-60 Hz	2200 W	220-240 V~ 50-60 Hz	2200 W
IPX4	Net weight: 21.8 kg	IPX4	Net weight: 26.4 kg
Millarco International A/S Rokhøj 26, 8520 Lystrup, Denmark www.millarco.com www.cozzebbq.com millarco@millarco.com			



Do not dispose of electrical appliance as unsorted municipal waste, use separate collection facilities. Contact your local government for information regarding the collection systems available. If electrical appliances are disposed of in landfills or dumps, hazardous substances can leak into the groundwater and get into the food chain, damaging your health and wellbeing.

1.1 Operation

DANGER

- Use the pizza oven in a well ventilated area.
- Do not use charcoal, briquettes, liquid fuel or lava rock in the pizza oven.

WARNING

- Only use as described in this user manual. Misuse may cause fire, electric shock or injury.
- This pizza oven should only be connected to an earthed socket.
- This pizza oven should be supplied through a residual current device (RCD) having a rated residual operating current not exceeding 30 mA.
- Do not operate the pizza oven if the electrical socket is damaged.
- If the supply cord is damaged, it must be replaced by the manufacturer, its service agent or similarly qualified persons in order to avoid a hazard.
- Always unplug by pulling the plug. Do not pull on the cable.
- Do not use the pizza oven within 3 m of any kind of water, such as a pool or pond.
- Do not use the pizza oven within 60 cm of combustible materials. Minimum safe distances are: Above the pizza oven 1.2 m. At the rear and sides 60 cm (See illustration).
- Keep the cooking area clear of flammable vapours and liquids, such as petrol, alcohol, etc., and flammable/combustible materials.
- Should a grease fire occur, close the lid, turn the power button off, unplug the pizza oven from the socket and leave the lid closed until the fire is extinguished. Do not use liquid to extinguish flames.
- Accessible parts may be very hot. Keep young children and pets away.
- **WARNING:** The pizza oven and its accessible parts become hot during use. Care should be taken to avoid touching heating elements.
- This pizza oven can be used by children aged from 8 years and above and persons with reduced physical, sensory or mental capabilities or lack of experience and knowledge if they have been given supervision or instruction concerning use of the pizza oven in a safe way and understand the hazards involved. Children shall not play with the pizza oven. Cleaning and user maintenance shall not be made by children without supervision.
- Children less than 8 years of age shall be kept away unless continuously supervised
- The use of alcohol, prescription drugs, non-prescription drugs or illegal drugs may impair the consumer's ability to properly and safely assemble, move, store or operate the pizza oven.
- The instruction concerning persons (including children) with reduced physical, sensory or mental capabilities, or lack of experience and knowledge is not applicable
- Do not leave the pizza oven unattended during preheating or use. Exercise caution when using this pizza oven.
- Do not move the pizza oven during use.
- Keep any electrical supply cable away from any heated surfaces. Follow cable management instructions.
- Locate power cable away from traffic areas. Arrange the cable so that it will not be pulled or tripped over.
- Do not use the pizza oven if it is dropped or malfunctions in any manner.

- Charcoal or similar combustible fuels must not be used with this pizza oven.
- The pizza oven is to be connected to a socket-outlet having an earthing contact.
- The supply cord should be regularly examined for signs of damage and the pizza oven is not to be used if the cord is damaged.
- To protect against electric shock, do not immerse the cable, plugs, probes or pizza oven in water or other liquids.
- To prevent electric shock, do not spray liquid inside the pizza oven.
- Operate the pizza oven only on a level, heat-resistant surface.
- Use heat-resistant gloves when operating the pizza oven.

CAUTION

- When connecting this pizza oven to a power supply, ensure that the supply voltage corresponds with the voltage rating marked on the pizza oven label.
- Do not exceed the wattage of the electrical socket.
- Do not use the pizza oven in any vehicle or in any storage or cargo area of any vehicle. This includes, but is not limited to, cars, lorries, estate cars, mini-vans, sports utility vehicles, mobile homes, caravans and boats.
- During installation: do not place on surfaces or near walls, partitions or kitchen furniture and the like – unless they are made of non-combustible material or clad with noncombustible heat-insulating material, and pay attention to fire prevention regulations.
- Do not use the pizza oven with the pizza oven door for more than a period of 2 hour to prevent overheat of the oven
- DO NOT use the stone over an open flame
- Avoid extreme temperature change to the stone. DO NOT place frozen foods on a hot stone.
- The stone is fragile and can break if bumped or dropped.
- The stone is very hot during use and stays hot for a long time after use.
- DO NOT cool the stone with water when the stone is hot.
- After cleaning the stone with water, please dry the stone before use. This can be done in a conventional oven at 60 °C (140°F) for 2 hours.
- Store the pizza stone in a dry and warm place
- The pizza stone is considered a wearing part and is not covered by the guarantee
- Allow the pizza oven to cool before moving, cleaning or storing it.
- The pizza oven door must not be used near flammable materials during cooking. (Petroleum based products, thinners or any other solid object that carries a flammable warning label.)
- Cover the pizza oven only when it is cool.

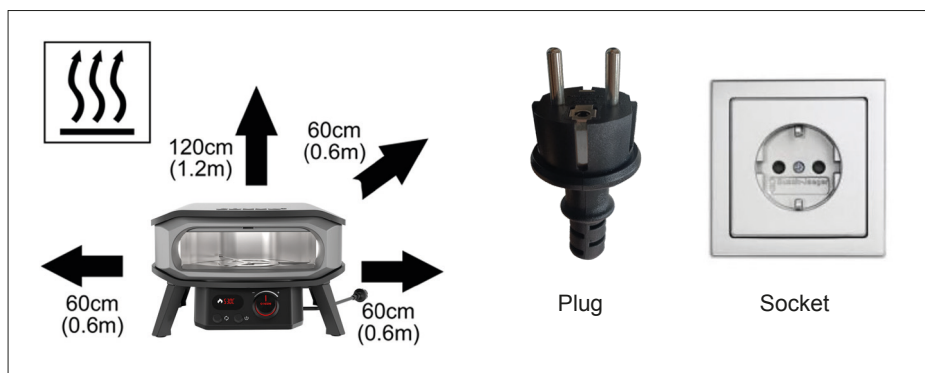
1.2 Installation and Assembly

WARNING

- This model of pizza oven is only intended for freestanding use on a level surface.
- Read the following instruction carefully and be sure your pizza oven is properly installed, assembled and cared for. Failure to follow these instructions may result in serious bodily injury and/or property damage.

CAUTION

- To minimise the risk of property damage and/or personal injury, do not use an extension power supply cable unless it conforms to the specifications listed in this user manual.
- If it is necessary to use an extension lead it must be connected to an earthed socket. Use only a 14-gauge cable with an earthed plug, suitable for use with pizza oven. The maximum length for the extension lead is 4 meters. Keep the extension lead as short as possible. Examine the extension lead before use and replace if damaged.
- Make sure that the lead does not represent a trip hazard.
- Keep the connections dry.
- The pizza oven door is a mobile door for your pizza oven. Using this pizza oven door during heating can shorten the heating time by 20- 30%.
- The pizza oven door must be kept away from flammable materials during use.
- The pizza oven door must not be put on any flammable surface until it is cold.
- Do not place the pizza oven door on the top of pizza oven during cooking.
- DO NOT leave any hazardous objects such as lighter or lighting fluid next to your pizza oven door. Indeed, pizza oven door after the use radiates heat to all directions.
- Observe all local laws and regulations when using this pizza oven.
- If you have any questions concerning assembly or operation, consult your dealer.
- Recommend to use the protective gloves when handling particularly hot components.
- The parts sealed by the manufacturer or his agent shall not be manipulated by the user
- NOTE FOR CONSUMER: Keep this manual for future reference.



2. Product Features



A: A LED screen serves as a digital thermometer displaying the oven chamber temperature until the set temperature is reached. This ensures a precise and accurate temperature reading of your pizza oven.

B: The control knob is easy to use. Push to turn the unit on or off. Turn clockwise to increase the desired temperature or turn anti-clockwise to reduce the desired temperature. Press the knob for three seconds to switch between °F or °C.

C: The rotating motor button controls the opening and closing of the rotating rack.

D: The main power button controls the power on and off of the pizza oven.

E: The pizza oven door used both when preheating the oven and during baking the pizza.



WARNING

HIGH TEMPERATURE

CAUTION!

DO NOT TOUCH THE BODY, TOP
PANEL OR HEAT COIL WHILE IN USE.
ACCESSIBLE PARTS MAY BE VERY HOT.

GETTING READY FOR USE

Follow these instructions carefully to avoid seriously damaging your pizza oven and causing injury to yourself and to property.

1. Assemble the pizza oven and pizza oven door by following the assembly instructions carefully.
2. Connect the pizza oven to a power outlet which is turned off, press the main power button (D) to turn on the pizza oven, press the control knob to make display start work, the display show the oven chamber temperature. Press button (C) to start rotating function.
3. Remember to pull out the power plug after use.

CONTROL BUTTON FUNCTIONS

- Press the knob to enter the power-on state and display the temperature
- Turn clockwise to increase the desired temperature or turn anti-clockwise to reduce the desired temperature.
- Press the knob for three seconds switches between °F or °C.
- Temperature Setting: Once you have turned the control knob to set the desired temperature, release the control knob and the display will flash 3 times to confirm the set temperature. The pizza oven will now begin heating until it reaches the set temperature. The display will show the progress from current temperature until it reaches the set temperature. Note that the temperature shown on the display is the set temperature selected, once food is placed on the cooking surface, the cooking temperature of your cooking surface will drop due to the food being cold. The display will still show the set temperature you set it to and will heat up until it reaches the set temperature.
- Press the knob to power off.
- Pull out power plug from power outlet when not using the oven.

AMBIENT CONDITIONS

- Using oven in a colder climate or at a higher altitude will extend your cooking time.
- Sustained wind will lower the pizza oven's internal temperature.
- Cooking surfaces are easily interchangeable.

3. Storage

- Always allow the pizza oven to cool down before storing.
- Always unplug by pulling the plug. Do not pull on the cable.
- Cover the pizza oven only when it has cooled down.
- Always store the covered pizza oven in a warm and dry place.

4. Cleaning and Care

CAUTION: All cleaning and maintenance should be carried out when the pizza oven is cool and with the power plug disconnected from power outlet. "Burning off" the pizza oven after every use (for approx. 15 minutes) will keep excessive food residue to a minimum. It is recommended to clean and maintenance the pizza oven at least once a month to extend the life of your pizza oven and decrease the possibility of problems.

5. Cleaning

- Allow the pizza oven to cool down before you clean it.
- Do not use any high-pressure steam equipment or a water jet to clean the pizza oven.

OUTSIDE SURFACE

- Use mild detergent or baking soda and hot water solution. Non-abrasive scouring powder can be used on stubborn stains, then rinse with water.

PLASTIC SURFACES

- Wash with a soft cloth and hot soapy water solution. Rinse with water. Do not use abrasive cleaners, degreasers or a concentrated barbecue cleaner on plastic parts.

PIZZA STONE

- Use the COZZE wire brush to brush of remaining after "burning off". If necessary, the cold stone can be rinsed with water. Make sure that the stone is absolutely dry again before next usage.

6. Returning the appliance for Repair, Service & Warranty

- Do not modify the pizza oven. This may cause the pizza oven to become unsafe. Any modifications will render the warranty null and void.
- If you cannot rectify any fault by following these instructions, contact your local distributor for advice, inspection or repair instructions.
- Please keep all proof of payments and the installation certificate for warranty purposes, if these cannot be supplied then all warranties will be considered void.

7. Bake the Perfect Pizza with Your Cozze Pizza Oven

Preheat your Cozze pizza oven to approx. 400°C. The high heat is the secret to pizza perfection!

How to Use Your Pizza Oven:

1. Preheat Thoroughly:

- Plug in the oven and preheat for at least 20 minutes to ensure the stone reaches 400°C (Use a Cozze infrared thermometer for precision.)

2. Bake Your Pizza:

- Place your pizza on the hot, rotating stone using a paddle.
- Turn the temperature to low while baking to keep the crust crisp without burning.

3. Between Pizzas:

- For additional pizzas, crank the heat to maximum for 5 minutes to reheat the stone, then repeat the process.

4. Serve and Enjoy:

- Remove the pizza, let it cool slightly, slice, and dig in.

With Cozze, every pizza night is a masterpiece.
Bon appétit!

8. General cozze warranty

cozze provides a 2-year warranty on all products
The above warranty is subject to the following:

- The cozze product is used according to the instructions in the user manual.
- The cozze product is not modified.
- The cozze product is correctly assembled according to regulations.
- The cozze product is maintained and frequently cleaned according to the user manual.
- Store the cozze product covered with a cover when not in use.
- cozze winter storage: All wooden parts, pizza stones and accessories for cozze must be stored indoors during the winter.
- The cozze product is, where applicable, connected to the correct type of gas or electricity.
- The cozze product is placed on a flat and safe surface.
- The cozze product is not fitted with non-original cozze parts.
- The cozze product should not be stored as a solid component close to the sea, chlorinated swimming pools or hot tubs.
- The cozze product is only used for private use.

The warranty does not cover.

cozze products that are defective, damaged or otherwise degraded as a result of:

- Expected wear and tear with normal use
- Vandalism
- Unusual weather such as hail, stormy weather, tornadoes, tsunamis, earthquakes or heavy storms.
- Other surroundings such as acid rain, chlorine/salt in the air and other environmental conditions.

ELEKTRISCHER PIZZAOFEN

DE - Benutzerhandbuch

Lesen und befolgen Sie diese Anweisungen, um Sicherheit zu gewährleisten und Sachschäden zu vermeiden.

ACHTUNG: Weist auf eine gefährliche Situation hin, die bei Nichtvermeidung zu leichten bis mittelschweren Verletzungen führen kann.

WARNUNG: Weist auf eine gefährliche Situation hin, die bei Nichtvermeidung zu Tod oder schweren Verletzungen führen kann.

GEFAHR: Weist auf eine gefährliche Situation hin, die bei Nichtvermeidung mit Sicherheit zu Tod oder schweren Verletzungen führt.

WARNUNG!

Lesen Sie diese Anleitung sorgfältig durch und stellen Sie sicher, dass Ihr Pizzaofen ordnungsgemäß installiert, montiert, gewartet und gemäß diesen Anweisungen betrieben wird. Das Nichtbefolgen dieser Anweisungen kann zu schweren Verletzungen und/oder Sachschäden führen.

Wenn Sie Fragen zur Montage oder Bedienung dieses Pizzaofens haben, wenden Sie sich bitte an Ihren Händler.

Hinweise für den Benutzer:

DIESER PIZZAOFEN IST NUR FÜR DEN HAUSHALT GEEIGNET. LESEN SIE DIE ANLEITUNG, BEVOR SIE DAS GERÄT BENUTZEN.

WARNUNG: ZUGÄNGLICHE TEILE KÖNNEN SEHR HEISS WERDEN, HALTEN SIE KLEINE KINDER FERN.

BEWEGEN SIE DAS GERÄT NICHT WÄHREND DES KOCHENS. BEWAHREN SIE DIESE ANLEITUNG ZUR SPÄTEREN VERWENDUNG AUF. ABBILDUNGEN DIENEN NUR ZUR REFERENZ.

ELEKTRISCHER PIZZAOFEN			
90446 (13 INCH)		90448 (17 INCH)	
220-240 V~ 50-60 Hz	2200 W	220-240 V~ 50-60 Hz	2200 W
IPX4	Net weight: 21.8 kg	IPX4	Net weight: 26.4 kg
Millarco International A/S Rokhøj 26, 8520 Lystrup, Denmark www.millarco.com www.cozzebbq.com millarco@millarco.com			



Entsorgen Sie elektrische Geräte nicht als unsortierten Hausmüll, sondern verwenden Sie getrennte Sammelstellen. Wenden Sie sich an Ihre örtliche Behörde, um Informationen zu den verfügbaren Sammelsystemen zu erhalten. Werden elektrische Geräte auf Deponien entsorgt, können gefährliche Stoffe ins Grundwasser gelangen und die Nahrungskette kontaminieren, was Ihre Gesundheit und Ihr Wohlbefinden gefährdet.

1.1 Betrieb

GEFAHR

- Verwenden Sie den Pizzaofen nur in gut belüfteten Bereichen.
- Verwenden Sie keine Holzkohle, Briketts, flüssige Brennstoffe oder Lavasteine im Pizzaofen.

WARNUNG

- Verwenden Sie das Gerät nur wie in dieser Bedienungsanleitung beschrieben. Unsachgemäßer Gebrauch kann Feuer, elektrischen Schlag oder Verletzungen verursachen.
- Dieser Pizzaofen darf nur an eine geerdete Steckdose angeschlossen werden.
- Der Pizzaofen muss über einen Fehlerstromschutzschalter (RCD) betrieben werden, dessen Nennbetriebsstrom nicht mehr als 30 mA beträgt.
- Betreiben Sie den Pizzaofen nicht, wenn die Steckdose beschädigt ist.
- Wenn das Netzkabel beschädigt ist, muss es vom Hersteller, seinem Kundendienst oder einer ähnlich qualifizierten Person ausgetauscht werden, um Gefahren zu vermeiden.
- Ziehen Sie den Stecker immer direkt heraus. Ziehen Sie nicht am Kabel.
- Verwenden Sie den Pizzaofen nicht in einem Umkreis von 3 m zu Wasserquellen wie Pools oder Teichen.
- Halten Sie einen Abstand von mindestens 60 cm zu brennbaren Materialien ein. Mindestabstände: Oberhalb des Ofens 1,2 m, seitlich und hinten 60 cm (siehe Abbildung).
- Halten Sie den Kochbereich frei von brennbaren Dämpfen und Flüssigkeiten wie Benzin, Alkohol usw., sowie von brennbaren Materialien.
- Im Falle eines Fettbrands schließen Sie den Deckel, schalten den Ofen aus, ziehen den Stecker aus der Steckdose und lassen den Deckel geschlossen, bis das Feuer erloschen ist. Verwenden Sie keine Flüssigkeiten zum Löschen von Flammen.
- Zugängliche Teile können sehr heiß werden. Halten Sie Kinder und Haustiere fern.
- **WARNUNG:** Der Pizzaofen und seine zugänglichen Teile werden während des Betriebs heiß. Berühren Sie keine Heizelemente.
- Dieser Pizzaofen kann von Kindern ab 8 Jahren und Personen mit eingeschränkten physischen, sensorischen oder geistigen Fähigkeiten oder mangelnder Erfahrung und Kenntnis verwendet werden, sofern sie beaufsichtigt oder angewiesen wurden, das Gerät sicher zu benutzen und die damit verbundenen Gefahren verstehen. Kinder dürfen nicht mit dem Pizzaofen spielen. Reinigung und Wartung dürfen nicht von Kindern ohne Aufsicht durchgeführt werden.
- Kinder unter 8 Jahren müssen ständig beaufsichtigt werden.
- Der Konsum von Alkohol, verschreibungspflichtigen oder nicht verschreibungspflichtigen Medikamenten oder illegalen Drogen kann die Fähigkeit des Benutzers beeinträchtigen, den Pizzaofen korrekt und sicher zusammenzubauen, zu bewegen, zu lagern oder zu bedienen.
- Lassen Sie den Pizzaofen während des Vorheizens oder Betriebs nicht unbeaufsichtigt.
- Bewegen Sie den Pizzaofen während des Betriebs nicht.
- Halten Sie elektrische Kabel von heißen Oberflächen fern und beachten Sie die Anweisungen zur Kabelführung.
- Platzieren Sie das Netzkabel nicht in Bereichen, in denen es gezogen oder Stolperfallen darstellen könnte.

- Verwenden Sie den Pizzaofen nicht, wenn er heruntergefallen ist oder in irgendeiner Weise nicht ordnungsgemäß funktioniert.
- Verwenden Sie keine Holzkohle oder ähnliche brennbare Brennstoffe in diesem Pizzaofen.
- Der Pizzaofen muss an eine geerdete Steckdose angeschlossen werden.
- Überprüfen Sie das Netzkabel regelmäßig auf Anzeichen von Beschädigungen. Der Pizzaofen darf nicht verwendet werden, wenn das Kabel beschädigt ist.
- Tauchen Sie das Kabel, den Stecker oder den Ofen niemals in Wasser oder andere Flüssigkeiten, um einen elektrischen Schlag zu vermeiden.
- Sprühen Sie keine Flüssigkeit in den Pizzaofen, um einen elektrischen Schlag zu vermeiden.
- Betreiben Sie den Pizzaofen nur auf einer ebenen, hitzebeständigen Oberfläche.
- Verwenden Sie hitzebeständige Handschuhe bei der Bedienung des Pizzaofens.

VORSICHT

- Stellen Sie sicher, dass die Versorgungsspannung mit der auf dem Typenschild des Pizzaofens angegebenen Spannung übereinstimmt.
- Überschreiten Sie nicht die maximale Leistung der Steckdose.
- Verwenden Sie den Pizzaofen nicht in Fahrzeugen oder in Lagerräumen oder Ladeflächen von Fahrzeugen, einschließlich Autos, LKWs, Kombis, Minivans, Wohnmobilen, Caravans oder Booten.
- Während der Installation: Platzieren Sie den Ofen nicht auf oder in der Nähe von Oberflächen, Wänden, Trennwänden oder Küchenmöbeln, es sei denn, diese bestehen aus nicht brennbarem Material oder sind mit nicht brennbarem, hitzeisolierendem Material verkleidet. Beachten Sie die Brandschutzvorschriften.
- Verwenden Sie den Pizzaofen nicht länger als 2 Stunden mit der Tür geschlossen, um eine Überhitzung zu vermeiden.
- Verwenden Sie den Stein nicht über einer offenen Flamme.
- Vermeiden Sie extreme Temperaturänderungen des Steins. Legen Sie keine gefrorenen Lebensmittel auf einen heißen Stein.
- Der Stein ist zerbrechlich und kann brechen, wenn er angestoßen oder fallen gelassen wird.
- Der Stein bleibt nach dem Gebrauch lange heiß. Kühlen Sie ihn nicht mit Wasser ab, wenn er heiß ist.
- Trocknen Sie den Stein nach dem Reinigen vollständig. Dies kann in einem herkömmlichen Ofen bei 60 °C (140 °F) für 2 Stunden erfolgen.
- Lagern Sie den Pizzastein an einem trockenen und warmen Ort.
- Der Pizzastein gilt als Verschleißteil und fällt nicht unter die Garantie.
- Lassen Sie den Pizzaofen abkühlen, bevor Sie ihn bewegen, reinigen oder lagern.
- Die Pizzaofentür darf während des Kochens nicht in der Nähe von brennbaren Materialien verwendet werden.
- Decken Sie den Pizzaofen nur ab, wenn er abgekühlt ist.

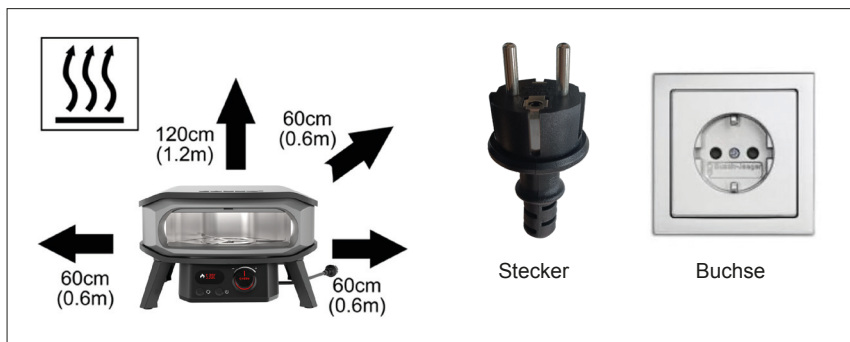
1.2 Installation und Montage

WARNUNG

- Dieses Modell eines Pizzaofens ist nur für den freistehenden Einsatz auf einer ebenen Fläche vorgesehen.
- Lesen Sie die folgenden Anweisungen sorgfältig durch und stellen Sie sicher, dass Ihr Pizzaofen ordnungsgemäß installiert, montiert und gepflegt wird. Die Nichtbeachtung dieser Anweisungen kann zu schweren Verletzungen und/oder Sachschäden führen.e.

VORSICHT

- Um das Risiko von Sachschäden und/oder Verletzungen zu minimieren, verwenden Sie kein Verlängerungskabel, es sei denn, es entspricht den in diesem Benutzerhandbuch aufgeführten Spezifikationen.
- Wenn die Verwendung eines Verlängerungskabels erforderlich ist, muss es an eine geerdete Steckdose angeschlossen werden. Verwenden Sie nur ein 14-adriges Kabel mit geerdetem Stecker, das für die Verwendung mit einem Pizzaofen geeignet ist. Die maximale Länge des Verlängerungskabels beträgt 4 Meter. Halten Sie das Verlängerungskabel so kurz wie möglich. Überprüfen Sie das Kabel vor der Verwendung und ersetzen Sie es, wenn es beschädigt ist.
- Stellen Sie sicher, dass das Kabel keine Stolpergefahr darstellt.
- Halten Sie die Verbindungen trocken.
- Die Tür des Pizzaofens ist eine mobile Tür für Ihren Pizzaofen. Die Verwendung dieser Tür während des Heizens kann die Heizzeit um 20–30 % verkürzen.
- Die Tür des Pizzaofens muss während des Gebrauchs von brennbaren Materialien ferngehalten werden.
- Die Tür des Pizzaofens darf nicht auf brennbaren Oberflächen abgestellt werden, bis sie abgekühlt ist.
- Legen Sie die Tür des Pizzaofens während des Kochens nicht auf den Pizzaofen.
- Lassen Sie keine gefährlichen Gegenstände wie Feuerzeug oder Anzündflüssigkeit in der Nähe der Tür des Pizzaofens liegen. Die Tür des Pizzaofens strahlt nach der Benutzung Wärme in alle Richtungen ab.
- Beachten Sie alle örtlichen Gesetze und Vorschriften bei der Verwendung dieses Pizzaofens.
- Wenn Sie Fragen zur Montage oder Bedienung haben, wenden Sie sich an Ihren Händler.
- Es wird empfohlen, Schutzhandschuhe zu tragen, wenn besonders heiße Teile gehandhabt werden.
- Teile, die vom Hersteller oder seinem Vertreter versiegelt wurden, dürfen nicht vom Benutzer manipuliert werden.
- **HINWEIS FÜR DEN VERBRAUCHER:** Bewahren Sie dieses Handbuch für zukünftige Referenzen auf.



2. Produktmerkmale



A: Ein LED-Bildschirm dient als digitales Thermometer und zeigt die Temperatur der Ofenkammer an, bis die eingestellte Temperatur erreicht ist. Dies gewährleistet eine präzise und genaue Temperaturanzeige Ihres Pizzaofens.

B: Der Drehknopf ist einfach zu bedienen. Drücken Sie ihn, um das Gerät ein- oder auszuschalten. Drehen Sie im Uhrzeigersinn, um die gewünschte Temperatur zu erhöhen, oder gegen den Uhrzeigersinn, um die gewünschte Temperatur zu senken. Drücken Sie den Knopf drei Sekunden lang, um zwischen °F und °C umzuschalten.

C: Die Drehmotor-Taste steuert das Öffnen und Schließen des Drehracks.

D: Der Hauptschalter steuert das Ein- und Ausschalten des Pizzaofens.

E: Die Tür des Pizzaofens wird sowohl beim Vorheizen des Ofens als auch beim Backen der Pizza verwendet.



WARNUNG:
HOHE TEMPERATUREN

VORSICHT!
BERÜHREN SIE NICHT DAS GEHÄUSE,
DIE OBERE PLATTE ODER DIE
HEIZSPIRALE WÄHREND DES
GEBRAUCHS. ZUGÄNGLICHE TEILE
KÖNNEN SEHR HEISS SEIN.

VORBEREITUNG AUF DEN GEBRAUCH

Befolgen Sie diese Anweisungen sorgfältig, um ernsthafte Schäden an Ihrem Pizzaofen und Verletzungen zu vermeiden:

1. Montieren Sie den Pizzaofen und die Ofentür gemäß den Montageanweisungen.
2. Schließen Sie den Pizzaofen an eine ausgeschaltete Steckdose an, drücken Sie die Hauptschalttaste (D), um den Pizzaofen einzuschalten, und drücken Sie den Drehknopf, damit das Display zu arbeiten beginnt. Das Display zeigt die Temperatur der Ofenkammer an. Drücken Sie die Taste (C), um die Rotationsfunktion zu starten.
3. Ziehen Sie nach der Verwendung den Netzstecker heraus.

BEDIENUNG DER STEUERUNGSTASTEN

- Drücken Sie den Knopf, um in den Einschaltmodus zu gelangen und die Temperatur anzuzeigen.
- Drehen Sie im Uhrzeigersinn, um die gewünschte Temperatur zu erhöhen, oder gegen den Uhrzeigersinn, um sie zu senken.
- Drücken Sie den Knopf drei Sekunden lang, um zwischen °F und °C umzuschalten.
- Temperatureinstellung: Drehen Sie den Knopf auf die gewünschte Temperatur und lassen Sie ihn los. Das Display blinkt dreimal, um die Einstellung zu bestätigen. Der Pizzaofen beginnt nun zu heizen, bis die gewünschte Temperatur erreicht ist. Das Display zeigt die aktuelle Temperatur, bis sie die eingestellte Temperatur erreicht.

UMGEBUNGSBEDINGUNGEN

- Die Verwendung des Ofens in einem kälteren Klima oder in größeren Höhen verlängert die Kochzeit.
- Anhaltender Wind senkt die Innentemperatur des Pizzaofens.
- Kochflächen sind leicht austauschbar.

3. Lagerung

- Lassen Sie den Pizzaofen immer abkühlen, bevor Sie ihn lagern.
- Ziehen Sie den Stecker immer durch Ziehen am Stecker heraus. Ziehen Sie nicht am Kabel.
- Decken Sie den Pizzaofen nur ab, wenn er vollständig abgekühlt ist.
- Lagern Sie den abgedeckten Pizzaofen stets an einem warmen und trockenen Ort.

4. Reinigung und Pflege

VORSICHT: Alle Reinigungs- und Wartungsarbeiten müssen durchgeführt werden, wenn der Pizzaofen abgekühlt ist und der Netzstecker aus der Steckdose gezogen wurde. Das „Ausbrennen“ des Pizzaofens nach jeder Verwendung (ca. 15 Minuten) minimiert überschüssige Essensreste. Es wird empfohlen, den Pizzaofen mindestens einmal im Monat zu reinigen und zu warten, um die Lebensdauer zu verlängern und Probleme zu vermeiden.

5. Reinigung

- Lassen Sie den Pizzaofen vor der Reinigung abkühlen.
- Verwenden Sie keine Hochdruckdampfreiniger oder Wasserstrahler zur Reinigung des Pizzaofens.

AUSSENFLÄCHEN

- Verwenden Sie ein mildes Reinigungsmittel oder Natronlauge mit heißem Wasser. Hartnäckige Flecken können mit einem nicht scheuernden Scheuermittel behandelt werden, anschließend mit Wasser abspülen.

KUNSTSTOFFOBERFLÄCHEN

- Reinigen Sie mit einem weichen Tuch und einer Lösung aus heißem Seifenwasser. Mit Wasser abspülen. Verwenden Sie keine scheuernden Reiniger, Entfetter oder konzentrierte Grillreiniger auf Kunststoffteilen.

PIZZASTEIN

- Verwenden Sie die COZZE-Drahtbürste, um Rückstände nach dem „Ausbrennen“ zu entfernen. Falls erforderlich, kann der kalte Stein mit Wasser abgespült werden. Stellen Sie sicher, dass der Stein vollständig trocken ist, bevor er erneut verwendet wird.

6. Reparatur, Service und Garantie

- Verändern Sie den Pizzaofen nicht. Dadurch könnte der Pizzaofen unsicher werden. Alle Modifikationen machen die Garantie ungültig.
- Wenn Sie einen Fehler nicht gemäß den Anweisungen beheben können, wenden Sie sich an Ihren örtlichen Händler für Beratung, Inspektion oder Reparaturanweisungen.
- Bitte bewahren Sie alle Zahlungsnachweise und die Installationsbescheinigung für Garantieansprüche auf. Ohne diese Nachweise wird die Garantie als ungültig betrachtet.

7. Perfekte Pizza mit Ihrem Cozze Pizzaofen backen

Heizen Sie Ihren Cozze-Pizzaofen auf ca. 400 °C vor. Die hohe Temperatur ist das Geheimnis für perfekte Pizza!

So verwenden Sie Ihren Pizzaofen:

1. Gründlich vorheizen:

- Stecken Sie den Ofen ein und heizen Sie ihn mindestens 20 Minuten vor, damit der Stein 400 °C erreicht. (Verwenden Sie ein Cozze-Infrarotthermometer für Präzision.)

2. Pizza backen:

- Legen Sie Ihre Pizza mit einem Pizzaschieber auf den heißen, rotierenden Stein.
- Reduzieren Sie die Temperatur während des Backens, um den Boden knusprig zu halten, ohne ihn zu verbrennen.

3. Zwischen den Pizzas:

- Für zusätzliche Pizzas die Hitze für 5 Minuten auf Maximum stellen, um den Stein erneut aufzuheizen, und den Vorgang wiederholen.

4. Servieren und genießen:

- Nehmen Sie die Pizza heraus, lassen Sie sie leicht abkühlen, schneiden Sie sie und genießen Sie sie.

With Cozze, every pizza night is a masterpiece.
Bon appétit!

8. Allgemeine Cozze-Garantie

Cozze bietet eine 2-jährige Garantie auf alle Produkte.

Die oben genannte Garantie unterliegt den folgenden Bedingungen:

- Das Cozze-Produkt wird gemäß den Anweisungen im Benutzerhandbuch verwendet.
- Das Cozze-Produkt wurde nicht verändert.
- Das Cozze-Produkt wurde ordnungsgemäß gemäß den Vorschriften montiert.
- Das Cozze-Produkt wird gemäß den Anweisungen im Benutzerhandbuch regelmäßig gereinigt und gewartet.
- Das Cozze-Produkt wird abgedeckt gelagert, wenn es nicht verwendet wird.
- Winterlagerung: Alle Holzteile, Pizzasteine und Zubehörteile von Cozze müssen im Winter drinnen gelagert werden.
- Das Cozze-Produkt ist, sofern zutreffend, an die richtige Gas- oder Stromart angeschlossen.
- Das Cozze-Produkt befindet sich auf einer ebenen und sicheren Fläche.
- Das Cozze-Produkt ist nicht mit nicht-originalen Cozze-Teilen ausgestattet.
- Das Cozze-Produkt darf nicht in der Nähe des Meeres, chlorhaltiger Pools oder Whirlpools gelagert werden.
- Das Cozze-Produkt wird nur für den privaten Gebrauch verwendet.

Die Garantie umfasst nicht.

Cozze-Produkte, die defekt, beschädigt oder anderweitig verschlechtert sind aufgrund von:

- Erwartetem Verschleiß bei normalem Gebrauch
- Vandalismus
- Ungewöhnlichen Wetterbedingungen wie Hagel, Sturm, Tornados, Tsunamis, Erdbeben oder schweren Unwettern
- Anderen Umgebungsbedingungen wie saurem Regen, Chlor-/Salzgehalt in der Luft oder anderen Umwelteinflüssen.

FOUR À PIZZA ÉLECTRIQUE

FR - Manuel de l'utilisateur

Lisez et suivez ces instructions pour assurer la sécurité et éviter les dommages matériels.

ATTENTION : Indique une situation dangereuse qui, si elle n'est pas évitée, pourrait entraîner des blessures mineures ou modérées.

AVERTISSEMENT : Indique une situation dangereuse qui, si elle n'est pas évitée, pourrait entraîner la mort ou des blessures graves.

DANGER : Indique une situation dangereuse qui, si elle n'est pas évitée, entraînera la mort ou des blessures graves.

AVERTISSEMENT !

Lisez attentivement cette instruction et assurez-vous que votre four à pizza est correctement installé, assemblé, entretenu et réparé conformément à ces instructions. Le non-respect de ces instructions peut entraîner des blessures corporelles graves et/ou des dommages matériels.

Si vous avez des questions concernant l'assemblage ou le fonctionnement de ce four à pizza, veuillez consulter votre revendeur.

Remarques à l'utilisateur :

CE FOUR À PIZZA EST DESTINÉ À UN USAGE DOMESTIQUE UNIQUEMENT. LIRE LES INSTRUCTIONS AVANT D'UTILISER L'APPAREIL. AVERTISSEMENT : LES PARTIES ACCESSIBLES PEUVENT ÊTRE TRÈS CHAUDES, TENIR LES ENFANTS EN BAS ÂGE À L'ÉCART. NE PAS DÉPLACER L'APPAREIL PENDANT LA CUISSON. CONSERVER LE MANUEL POUR RÉFÉRENCE FUTURE. LES DESSINS SONT À TITRE DE RÉFÉRENCE UNIQUEMENT.

FOUR À PIZZA ÉLECTRIQUE			
90446 (13 INCH)		90448 (17 INCH)	
220-240 V~ 50-60 Hz	2200 W	220-240 V~ 50-60 Hz	2200 W
IPX4	Net weight: 21.8 kg	IPX4	Net weight: 26.4 kg
Millarco International A/S Rokhøj 26, 8520 Lystrup, Denmark www.millarco.com www.cozzebbq.com millarco@millarco.com			



Ne pas jeter les appareils électriques comme des déchets municipaux non triés, utiliser des installations de collecte séparées. Contactez votre gouvernement local pour obtenir des informations sur les systèmes de collecte disponibles. Si les appareils électriques sont jetés dans les décharges ou les décharges, des substances dangereuses peuvent s'infiltrer dans l'eau souterraine et entrer dans la chaîne alimentaire, nuisant à votre santé et à votre bien-être.

U1.1 Fonctionnement

DANGER

- Utilisez le four à pizza dans un endroit bien ventilé.
- Ne pas utiliser de charbon de bois, de briquettes, de carburant liquide ou de roche volcanique dans le four à pizza.

AVERTISSEMENT

- Utilisez-le uniquement comme décrit dans ce manuel d'utilisation. Une mauvaise utilisation peut provoquer un incendie, une décharge électrique ou des blessures.
- Ce four à pizza ne doit être connecté qu'à une prise de terre.
- Ce four à pizza doit être alimenté par un dispositif à courant résiduel (RCD) ayant un courant résiduel de fonctionnement nominal ne dépassant pas 30 mA.
- Ne pas utiliser le four à pizza si la prise électrique est endommagée.
- Si le cordon d'alimentation est endommagé, il doit être remplacé par le fabricant, son agent de service ou une personne qualifiée afin d'éviter tout danger.
- Débranchez toujours en tirant sur la prise. Ne tirez pas sur le câble.
- Ne pas utiliser le four à pizza à moins de 3 m de toute source d'eau, comme une piscine ou un étang.
- Ne pas utiliser le four à pizza à moins de 60 cm de matériaux combustibles. Les distances minimales de sécurité sont : Au-dessus du four à pizza 1,2 m. À l'arrière et sur les côtés 60 cm (voir illustration).
- Gardez la zone de cuisson dégagée des vapeurs et liquides inflammables, tels que l'essence, l'alcool, etc., et des matériaux inflammables/combustibles.
- En cas d'incendie de graisse, fermez le couvercle, éteignez le bouton d'alimentation, débranchez le four à pizza de la prise et laissez le couvercle fermé jusqu'à ce que le feu soit éteint. N'utilisez pas de liquide pour éteindre les flammes.
- Les parties accessibles peuvent être très chaudes. Gardez les jeunes enfants et les animaux domestiques à l'écart.
- AVERTISSEMENT : Le four à pizza et ses parties accessibles deviennent chauds pendant l'utilisation. Faites attention à ne pas toucher les éléments chauffants.
- Ce four à pizza peut être utilisé par des enfants à partir de 8 ans et des personnes ayant des capacités physiques, sensorielles ou mentales réduites ou un manque d'expérience et de connaissances, si elles ont reçu une supervision ou une instruction concernant l'utilisation du four à pizza de manière sûre et comprennent les dangers impliqués. Les enfants ne doivent pas jouer avec le four à pizza. Le nettoyage et l'entretien par l'utilisateur ne doivent pas être effectués par des enfants sans supervision.
- Les enfants de moins de 8 ans doivent être tenus à l'écart, sauf en cas de surveillance continue.
- L'utilisation d'alcool, de médicaments sur ordonnance, de médicaments en vente libre ou de drogues illégales peut altérer la capacité du consommateur à assembler, déplacer, stocker ou utiliser correctement et en toute sécurité le four à pizza.
- L'instruction concernant les personnes (y compris les enfants) ayant des capacités physiques, sensorielles ou mentales réduites, ou un manque d'expérience et de connaissances, ne s'applique pas.
- Ne laissez pas le four à pizza sans surveillance pendant la phase de préchauffage ou d'utilisation. Faites preuve de prudence lorsque vous utilisez ce four à pizza.
- Ne déplacez pas le four à pizza pendant son utilisation.
- Gardez tout câble d'alimentation électrique à l'écart de toute surface chaude. Suivez les instructions de gestion des câbles.
- Placez le câble d'alimentation loin des zones de passage. Arrangez le câble de manière à ce qu'il ne soit pas tiré ni trébuché dessus.
- Ne pas utiliser le four à pizza s'il est tombé ou présente un dysfonctionnement sous quelque forme que ce soit.

- Le charbon de bois ou d'autres combustibles similaires ne doivent pas être utilisés avec ce four à pizza.
- Le four à pizza doit être connecté à une prise de courant avec contact de mise à la terre.
- Le cordon d'alimentation doit être régulièrement examiné pour détecter des signes de dommage et le four à pizza ne doit pas être utilisé si le cordon est endommagé.
- Pour se protéger contre les décharges électriques, ne pas immerger le câble, les prises, les sondes ou le four à pizza dans l'eau ou d'autres liquides.
- Pour éviter les décharges électriques, ne pas pulvériser de liquide à l'intérieur du four à pizza.
- Utilisez le four à pizza uniquement sur une surface plane et résistante à la chaleur.
- Utilisez des gants résistants à la chaleur lors de l'utilisation du four à pizza.

ATTENTION

- Lors de la connexion de ce four à pizza à une source d'alimentation, assurez-vous que la tension d'alimentation correspond à la tension indiquée sur l'étiquette du four à pizza.
- Ne dépassez pas la puissance nominale de la prise électrique.
- Ne pas utiliser le four à pizza dans un véhicule ou dans une zone de stockage ou de cargaison d'un véhicule. Cela inclut, mais ne se limite pas à, des voitures, des camions, des breaks, des minibus, des véhicules utilitaires sport, des maisons mobiles, des caravanes et des bateaux.
- Lors de l'installation : ne placez pas sur des surfaces ou près de murs, cloisons ou meubles de cuisine et similaires – sauf s'ils sont faits de matériaux non combustibles ou recouverts de matériaux d'isolation thermique non combustibles, et prêtez attention aux règlements de prévention des incendies.
- Ne pas utiliser le four à pizza avec la porte du four pendant plus de 2 heures afin d'éviter la surchauffe du four.
- NE PAS utiliser la pierre sur une flamme nue.
- Évitez les changements de température extrêmes pour la pierre. NE PAS placer d'aliments congelés sur une pierre chaude.
- La pierre est fragile et peut se casser si elle est heurtée ou tombée.
- La pierre est très chaude pendant l'utilisation et reste chaude longtemps après son utilisation.
- NE PAS refroidir la pierre avec de l'eau lorsque la pierre est chaude.
- Après avoir nettoyé la pierre avec de l'eau, veuillez sécher la pierre avant de l'utiliser. Cela peut être fait dans un four conventionnel à 60 °C (140 °F) pendant 2 heures.
- Rangez la pierre à pizza dans un endroit sec et chaud.
- La pierre à pizza est considérée comme une pièce d'usure et n'est pas couverte par la garantie.
- Laissez le four à pizza refroidir avant de le déplacer, de le nettoyer ou de le ranger.
- La porte du four à pizza ne doit pas être utilisée à proximité de matériaux inflammables pendant la cuisson. (Produits à base de pétrole, solvants ou tout autre objet solide portant une étiquette de danger inflammable.)
- Couvrez le four à pizza uniquement lorsqu'il est refroidi.

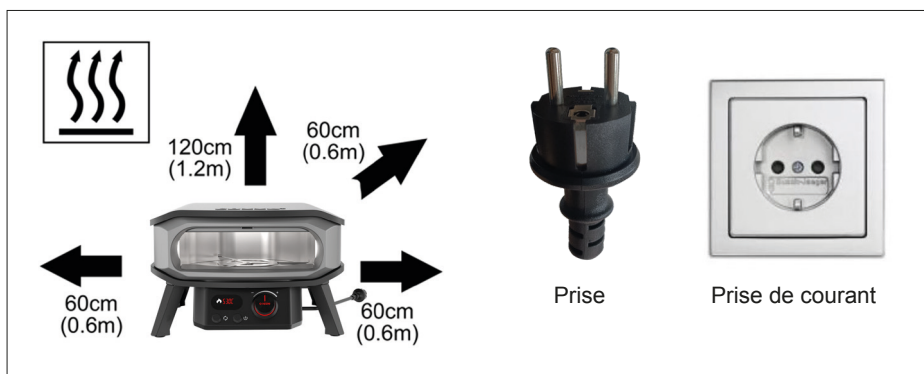
1.2 Installation et Assemblage

AVERTISSEMENT

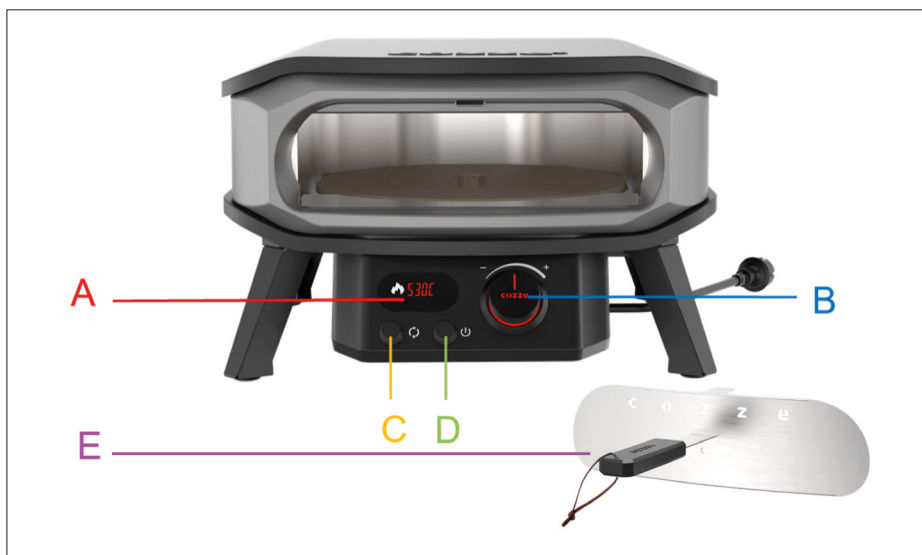
- Ce modèle de four à pizza est destiné uniquement à un usage autonome sur une surface plane.
- Lisez attentivement les instructions suivantes et assurez-vous que votre four à pizza est correctement installé, assemblé et entretenu. Le non-respect de ces instructions peut entraîner des blessures corporelles graves et/ou des dommages matériels.

ATTENTION

- Pour minimiser les risques de dommages matériels et/ou de blessures corporelles, ne pas utiliser de câble d'alimentation prolongé, sauf s'il est conforme aux spécifications indiquées dans ce manuel d'utilisation.
- Si l'utilisation d'un câble prolongé est nécessaire, il doit être connecté à une prise de terre. Utilisez uniquement un câble de 14 jauges avec une prise de terre, adapté pour être utilisé avec le four à pizza. La longueur maximale du câble prolongé est de 4 mètres. Gardez le câble prolongé aussi court que possible. Examinez le câble avant utilisation et remplacez-le s'il est endommagé.
- Assurez-vous que le câble ne représente pas un danger de trébuchement.
- Gardez les connexions sèches.
- La porte du four à pizza est une porte mobile pour votre four à pizza. Utiliser cette porte du four à pizza pendant le chauffage peut réduire le temps de chauffage de 20 à 30 %.
- La porte du four à pizza doit être maintenue à l'écart des matériaux inflammables pendant l'utilisation.
- La porte du four à pizza ne doit pas être placée sur une surface inflammable tant qu'elle n'est pas froide.
- Ne placez pas la porte du four à pizza sur le dessus du four pendant la cuisson.
- NE LAISSEZ PAS d'objets dangereux comme un briquet ou du liquide d'allumage à proximité de la porte de votre four à pizza. En effet, la porte du four à pizza, après utilisation, diffuse de la chaleur dans toutes les directions.
- Respectez toutes les lois et règlements locaux lors de l'utilisation de ce four à pizza.
- Si vous avez des questions concernant l'assemblage ou le fonctionnement, consultez votre revendeur.
- Il est recommandé d'utiliser des gants de protection lors de la manipulation des composants particulièrement chauds.
- Les pièces scellées par le fabricant ou son agent ne doivent pas être manipulées par l'utilisateur.
- NOTE POUR LE CONSOMMATEUR : Conservez ce manuel pour référence future.



2. Caractéristiques du produit



A : Un écran LED sert de thermomètre numérique affichant la température de la chambre du four jusqu'à ce que la température souhaitée soit atteinte. Cela garantit une lecture précise et exacte de la température de votre four à pizza.

B : Le bouton de commande est facile à utiliser. Appuyez pour allumer ou éteindre l'appareil. Tournez dans le sens des aiguilles d'une montre pour augmenter la température souhaitée ou tournez dans le sens inverse des aiguilles d'une montre pour réduire la température souhaitée. Appuyez sur le bouton pendant trois secondes pour passer de °F à °C.

C : Le bouton du moteur rotatif contrôle l'ouverture et la fermeture du rack rotatif.

D : Le bouton d'alimentation principal contrôle l'allumage et l'extinction du four à pizza.

E : La porte du four à pizza est utilisée à la fois pour le préchauffage du four et pendant la cuisson de la pizza.



AVERTISSEMENT : HAUTE
TEMPÉRATURE

ATTENTION !
NE TOUCHEZ PAS LE CORPS,
LE PANNEAU SUPÉRIEUR OU LA
RÉSISTANCE PENDANT L'UTILISATION.
LES PARTIES ACCESSIBLES PEUVENT
ÊTRE TRÈS CHAUDES.

PRÉPARATION À L'UTILISATION

Suivez ces instructions attentivement pour éviter d'endommager sérieusement votre four à pizza et de vous blesser vous-même ou d'endommager la propriété.

1. Assemblez le four à pizza et la porte du four à pizza en suivant soigneusement les instructions d'assemblage.
2. Branchez le four à pizza sur une prise de courant qui est éteinte, appuyez sur le bouton principal d'alimentation (D) pour allumer le four à pizza, appuyez sur le bouton de commande pour faire démarrer l'affichage, l'affichage indiquera la température de la chambre du four. Appuyez sur le bouton (C) pour démarrer la fonction de rotation.
3. N'oubliez pas de débrancher la prise après utilisation.

FONCTIONS DES BOUTONS DE COMMANDE

- Appuyez sur le bouton pour entrer en mode d'alimentation et afficher la température.
- Tournez dans le sens des aiguilles d'une montre pour augmenter la température souhaitée ou tournez dans le sens inverse des aiguilles d'une montre pour réduire la température souhaitée.
- Appuyez sur le bouton pendant trois secondes pour passer entre °F ou °C.
- Réglage de la température : Une fois que vous avez tourné le bouton de commande pour définir la température souhaitée, relâchez le bouton et l'affichage clignotera 3 fois pour confirmer la température définie. Le four à pizza commencera alors à chauffer jusqu'à ce qu'il atteigne la température définie. L'affichage indiquera la progression de la température actuelle jusqu'à la température définie. Notez que la température affichée est celle que vous avez définie, une fois que la nourriture est placée sur la surface de cuisson, la température de cuisson de votre surface de cuisson diminuera en raison du froid de la nourriture. L'affichage continuera d'afficher la température définie et se réchauffera jusqu'à ce qu'il atteigne cette température.
- Appuyez sur le bouton pour éteindre.
- Débranchez la prise de la prise de courant lorsque vous ne l'utilisez pas.

CONDITIONS AMBIANTES

- Utiliser le four à pizza dans un climat plus froid ou à une altitude plus élevée prolongera votre temps de cuisson.
- Un vent soutenu fera baisser la température interne du four à pizza.
- Les surfaces de cuisson sont facilement interchangeables.

3. Stockage

- Laissez toujours le four à pizza refroidir avant de le ranger.
- Débranchez toujours en tirant sur la prise, ne tirez pas sur le câble.
- Couvrez le four à pizza uniquement lorsqu'il a refroidi.
- Rangez toujours le four à pizza couvert dans un endroit chaud et sec.

4. Nettoyage et Entretien

ATTENTION : Tous les travaux de nettoyage et d'entretien doivent être effectués lorsque le four à pizza est refroidi et que la prise est débranchée de la prise de courant. "Brûler" le four à pizza après chaque utilisation (pendant environ 15 minutes) minimisera les résidus alimentaires. Il est recommandé de nettoyer et d'entretenir le four à pizza au moins une fois par mois pour prolonger sa durée de vie et diminuer les risques de problèmes.

5. Nettoyage

- Laissez le four à pizza refroidir avant de le nettoyer.
- Ne pas utiliser d'équipement à vapeur à haute pression ni de jet d'eau pour nettoyer le four à pizza.

SURFACE EXTÉRIEURE

- Utilisez un détergent doux ou une solution de bicarbonate de soude et d'eau chaude. Une poudre à récurer non abrasive peut être utilisée pour les taches tenaces, puis rincez à l'eau.

SURFACES EN PLASTIQUE

- Lavez avec un chiffon doux et une solution d'eau chaude et de savon. Rincez à l'eau. Ne pas utiliser de nettoyeurs abrasifs, de dégraissants ou de nettoyeurs concentrés pour barbecue sur les pièces en plastique.

PIERRE À PIZZA

- Utilisez la brosse métallique COZZE pour enlever les restes après "brûlage". Si nécessaire, la pierre froide peut être rincée à l'eau. Assurez-vous que la pierre soit complètement sèche avant la prochaine utilisation.

6. Retour de l'appareil pour réparation, service et garantie

- Ne modifiez pas le four à pizza. Cela peut rendre l'appareil dangereux. Toute modification annulera la garantie.
- Si vous ne pouvez pas rectifier un défaut en suivant ces instructions, contactez votre distributeur local pour des conseils, une inspection ou des instructions de réparation.
- Conservez toutes les preuves de paiement et le certificat d'installation à des fins de garantie, si ces documents ne peuvent pas être fournis, toutes les garanties seront considérées comme nulles.

7. Faites la pizza parfaite avec votre four à pizza Cozze

Préchauffez votre four à pizza Cozze à environ 400°C. La chaleur intense est le secret de la perfection de la pizza !

Comment utiliser votre four à pizza :

1. Préchauffez soigneusement :

- Branchez le four et laissez-le préchauffer pendant au moins 20 minutes pour que la pierre atteigne 400°C. (Utilisez un thermomètre infrarouge Cozze pour plus de précision.)

2. Cuisson de la pizza :

- Placez votre pizza sur la pierre chaude et rotative à l'aide d'une pelle.
- Réduisez la température pendant la cuisson pour garder la croûte croustillante sans la brûler.

3. Entre les pizzas :

- Pour des pizzas supplémentaires, augmentez la température au maximum pendant 5 minutes pour réchauffer la pierre, puis répétez le processus.

4. Servez et dégustez :

- Retirez la pizza, laissez-la refroidir légèrement, coupez-la et dégustez.

Avec Cozze, chaque soirée pizza est un chef-d'œuvre. Bon appétit !

8. Garantie générale Cozze

Cozze offre une garantie de 2 ans sur tous ses produits.

La garantie ci-dessus est soumise aux conditions suivantes :

- Le produit Cozze est utilisé conformément aux instructions du manuel d'utilisation.
- Le produit Cozze n'est pas modifié.
- Le produit Cozze est correctement assemblé selon les normes.
- Le produit Cozze est entretenu et nettoyé fréquemment selon le manuel d'utilisation.
- Le produit Cozze est rangé couvert lorsqu'il n'est pas utilisé.
- Stockage hivernal Cozze : Toutes les pièces en bois, pierres à pizza et accessoires de Cozze doivent être stockés à l'intérieur pendant l'hiver.
- Le produit Cozze est, le cas échéant, raccordé au type correct de gaz ou d'électricité.
- Le produit Cozze est placé sur une surface plane et sûre.
- Le produit Cozze n'est pas équipé de pièces non originales Cozze.
- Le produit Cozze ne doit pas être stocké comme un composant solide près de la mer, des piscines chlorées ou des jacuzzis.
- Le produit Cozze est destiné à un usage privé uniquement.

La garantie ne couvre pas les produits Cozze qui sont défectueux, endommagés ou autrement dégradés à la suite de :

- L'usure normale due à une utilisation normale.
- Le vandalisme.
- Des conditions météorologiques exceptionnelles telles que la grêle, les tempêtes, les tornades, les tsunamis, les tremblements de terre ou de fortes tempêtes.
- D'autres environnements tels que la pluie acide, le chlore/le sel dans l'air et d'autres conditions environnementales.

HORNO DE PIZZA ELÉCTRICO

ES - Manual del usuario

Lea y siga estas instrucciones para ayudar a garantizar la seguridad y prevenir daños materiales.

PRECAUCIÓN: Indica una situación peligrosa que, si no se evita, podría resultar en una lesión leve o moderada.

ADVERTENCIA: Indica una situación peligrosa que, si no se evita, podría resultar en la muerte o lesiones graves.

PELIGRO: Indica una situación peligrosa que, si no se evita, resultará en la muerte o lesiones graves.

¡ADVERTENCIA!

Lea esta instrucción cuidadosamente y asegúrese de que su horno de pizza esté correctamente instalado, ensamblado, mantenido y reparado de acuerdo con estas instrucciones. El no seguir estas instrucciones podría resultar en lesiones corporales graves y/o daños a la propiedad.

Si tiene alguna pregunta sobre el ensamblaje o funcionamiento de este horno de pizza, consulte con su distribuidor.

Notas para el usuario:

ESTE HORNO DE PIZZA ES SOLO PARA USO DOMÉSTICO. LEA LAS INSTRUCCIONES ANTES DE USAR EL APARATO. ADVERTENCIA: LAS PARTES ACCESIBLES PUEDEN ESTAR MUY CALIENTES, MANTENGA A LOS NIÑOS PEQUEÑOS ALEJADOS. NO MUEVA EL APARATO DURANTE LA COCCIÓN. CONSERVE EL MANUAL PARA FUTURAS REFERENCIAS. LOS DIBUJOS SON SOLO DE REFERENCIA.

HORNO DE PIZZA ELÉCTRICO			
90446 (13 INCH)		90448 (17 INCH)	
220-240 V~ 50-60 Hz	2200 W	220-240 V~ 50-60 Hz	2200 W
IPX4	Net weight: 21.8 kg	IPX4	Net weight: 26.4 kg
Millarco International A/S Rokhøj 26, 8520 Lystrup, Denmark www.millarco.com www.cozzebbq.com millarco@millarco.com			



No deseche el aparato eléctrico como residuos municipales no clasificados, utilice instalaciones de recolección separada. Contacte a su gobierno local para obtener información sobre los sistemas de recolección disponibles. Si los aparatos eléctricos se desechan en vertederos, sustancias peligrosas pueden filtrarse en el agua subterránea y llegar a la cadena alimentaria, dañando su salud y bienestar.

U1.1 Operación

PELIGRO

- Use el horno de pizza en un área bien ventilada.
- No use carbón, briquetas, combustible líquido o roca volcánica en el horno de pizza.

ADVERTENCIA

- Úselo solo como se describe en este manual del usuario. El uso incorrecto puede causar fuego, descarga eléctrica o lesiones.
- Este horno de pizza debe estar conectado solo a un enchufe con toma de tierra.
- Este horno de pizza debe ser suministrado a través de un dispositivo de corriente residual (RCD) con una corriente de operación residual nominal que no exceda los 30 mA.
- No opere el horno de pizza si el enchufe está dañado.
- Si el cable de suministro está dañado, debe ser reemplazado por el fabricante, su agente de servicio o personas igualmente calificadas para evitar un peligro.
- Siempre desenchufe tirando del enchufe. No tire del cable.
- No use el horno de pizza dentro de 3 m de cualquier tipo de agua, como una piscina o estanque.
- No use el horno de pizza dentro de 60 cm de materiales combustibles. Las distancias mínimas seguras son: Por encima del horno de pizza 1.2 m. En la parte posterior y los lados 60 cm (ver ilustración).
- Mantenga el área de cocción libre de vapores y líquidos inflamables, como gasolina, alcohol, etc., y materiales inflamables/combustibles.
- Si ocurre un incendio por grasa, cierre la tapa, apague el interruptor de encendido, desenchufe el horno de pizza de la toma de corriente y deje la tapa cerrada hasta que el fuego se apague. No use líquido para apagar las llamas.
- Las partes accesibles pueden estar muy calientes. Mantenga a los niños pequeños y a las mascotas alejados.
- **ADVERTENCIA:** El horno de pizza y sus partes accesibles se calientan durante el uso. Debe tener cuidado de no tocar los elementos calefactores.
- Este horno de pizza puede ser usado por niños mayores de 8 años y personas con capacidades físicas, sensoriales o mentales reducidas o falta de experiencia y conocimiento si han recibido supervisión o instrucciones sobre el uso seguro del horno de pizza y entienden los riesgos involucrados. Los niños no deben jugar con el horno de pizza. La limpieza y el mantenimiento no deben ser realizados por niños sin supervisión.
- Los niños menores de 8 años deben mantenerse alejados a menos que estén bajo supervisión continua.
- El uso de alcohol, medicamentos recetados, medicamentos no recetados o drogas ilegales puede afectar la capacidad del consumidor para ensamblar, mover, almacenar o operar correctamente el horno de pizza de forma segura.
- Las instrucciones sobre personas (incluidos los niños) con capacidades físicas, sensoriales o mentales reducidas, o falta de experiencia y conocimiento no son aplicables.
- No deje el horno de pizza desatendido durante el precalentamiento o uso. Tenga precaución al usar este horno de pizza.
- No mueva el horno de pizza durante su uso.
- Mantenga el cable de suministro eléctrico alejado de cualquier superficie caliente. Siga las instrucciones de gestión de cables.

- Ubique el cable de alimentación fuera de las áreas de tráfico. Organice el cable de manera que no se pueda tirar ni tropezar con él.
- No use el horno de pizza si se cae o funciona mal de alguna manera.
- No se debe usar carbón ni combustibles similares con este horno de pizza.
- El horno de pizza debe conectarse a un enchufe con toma de tierra.
- El cable de suministro debe examinarse regularmente en busca de señales de daño y el horno de pizza no debe usarse si el cable está dañado.
- Para proteger contra descargas eléctricas, no sumerja el cable, los enchufes, las sondas ni el horno de pizza en agua u otros líquidos.
- Para evitar descargas eléctricas, no rocíe líquido dentro del horno de pizza.
- Operar el horno de pizza solo sobre una superficie nivelada y resistente al calor.
- Use guantes resistentes al calor al operar el horno de pizza.

PRECAUCIÓN

- Al conectar este horno de pizza a una fuente de alimentación, asegúrese de que el voltaje de suministro coincida con la clasificación de voltaje marcada en la etiqueta del horno de pizza.
- No exceda la potencia del enchufe eléctrico.
- No use el horno de pizza en ningún vehículo ni en ninguna área de almacenamiento o carga de un vehículo. Esto incluye, pero no se limita a, automóviles, camiones, vehículos familiares, minivanos, vehículos deportivos utilitarios, casas móviles, caravanas y botes.
- Durante la instalación: no coloque sobre superficies o cerca de paredes, particiones o muebles de cocina y similares, a menos que estén hechos de material no combustible o recubiertos con material aislante térmico no combustible, y preste atención a las regulaciones de prevención de incendios.
- No use el horno de pizza con la puerta del horno de pizza durante más de 2 horas para evitar el sobrecalentamiento del horno.
- **NO USE LA PIEDRA SOBRE UNA LLAMA ABIERTA.**
- Evite cambios extremos de temperatura en la piedra. **NO** coloque alimentos congelados sobre una piedra caliente.
- La piedra es frágil y puede romperse si se golpea o cae.
- La piedra está muy caliente durante el uso y se mantiene caliente mucho tiempo después de su uso.
- **NO** enfríe la piedra con agua cuando esté caliente.
- Después de limpiar la piedra con agua, asegúrese de secarla antes de su uso. Esto puede hacerse en un horno convencional a 60 °C (140°F) durante 2 horas.
- Guarde la piedra para pizza en un lugar seco y cálido.
- La piedra para pizza se considera una parte desgastable y no está cubierta por la garantía.
- Permita que el horno de pizza se enfríe antes de moverlo, limpiarlo o almacenarlo.
- La puerta del horno de pizza no debe usarse cerca de materiales inflamables durante la cocción. (Productos a base de petróleo, diluyentes u otros objetos sólidos que lleven una etiqueta de advertencia de inflamabilidad).
- Cubra el horno de pizza solo cuando esté frío.

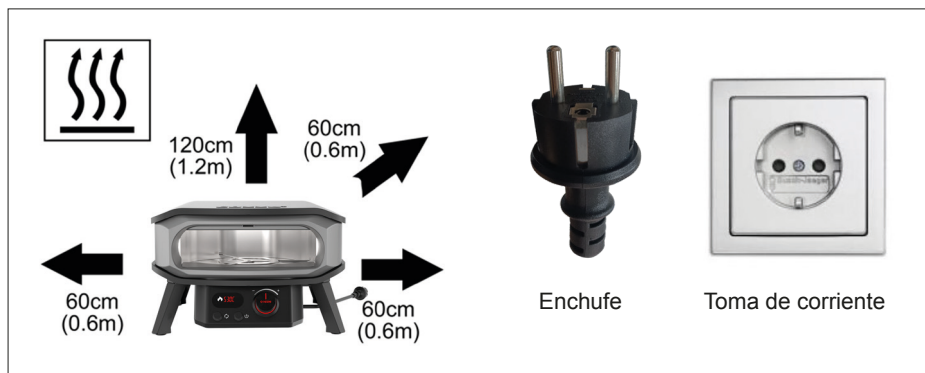
1.2 Instalación y Montaje

ADVERTENCIA

- Este modelo de horno de pizza está destinado solo para su uso independiente sobre una superficie nivelada.
- Lea cuidadosamente las siguientes instrucciones y asegúrese de que su horno de pizza esté correctamente instalado, montado y cuidado. No seguir estas instrucciones puede resultar en lesiones graves y/o daños a la propiedad.

PRECAUCIÓN

- Para minimizar el riesgo de daños a la propiedad y/o lesiones personales, no utilice un cable de extensión a menos que cumpla con las especificaciones indicadas en este manual del usuario.
- Si es necesario usar un cable de extensión, debe conectarse a una toma de corriente con conexión a tierra. Utilice solo un cable de calibre 14 con un enchufe con conexión a tierra, adecuado para usar con el horno de pizza. La longitud máxima del cable de extensión es de 4 metros. Mantenga el cable de extensión lo más corto posible. Examine el cable de extensión antes de usarlo y reemplácelo si está dañado.
- Asegúrese de que el cable no represente un peligro de tropiezo.
- Mantenga las conexiones secas.
- La puerta del horno de pizza es una puerta móvil para su horno de pizza. Usar esta puerta del horno de pizza durante el calentamiento puede reducir el tiempo de calentamiento entre un 20% y un 30%.
- La puerta del horno de pizza debe mantenerse alejada de materiales inflamables durante su uso.
- No ponga la puerta del horno de pizza sobre ninguna superficie inflamable hasta que esté fría.
- No coloque la puerta del horno de pizza sobre la parte superior del horno de pizza durante la cocción.
- NO deje objetos peligrosos, como encendedores o líquidos inflamables, cerca de la puerta del horno de pizza. De hecho, la puerta del horno de pizza, después de su uso, emite calor en todas direcciones.
- Observe todas las leyes y regulaciones locales al usar este horno de pizza.
- Si tiene alguna pregunta sobre el montaje o funcionamiento, consulte con su distribuidor.
- Se recomienda usar guantes de protección al manipular componentes especialmente calientes.
- Las piezas selladas por el fabricante o su agente no deben ser manipuladas por el usuario.
- **NOTA PARA EL CONSUMIDOR:** Guarde este manual para futuras consultas.



2. Características del Producto



A: Una pantalla LED sirve como termómetro digital que muestra la temperatura de la cámara del horno hasta que se alcanza la temperatura establecida. Esto asegura una lectura precisa y exacta de la temperatura de su horno de pizza.

B: El botón de control es fácil de usar. Presione para encender o apagar la unidad. Gire en sentido horario para aumentar la temperatura deseada o gire en sentido antihorario para reducir la temperatura deseada. Presione el botón durante tres segundos para cambiar entre °F o °C.

C: El botón del motor giratorio controla la apertura y cierre del estante giratorio.

D: El botón de encendido principal controla la alimentación del horno de pizza.

E: La puerta del horno de pizza se usa tanto durante el precalentamiento como durante la cocción de la pizza.



¡PRECAUCIÓN!
NO TOQUE EL CUERPO, EL PANEL SUPERIOR O LA RESISTENCIA MIENTRAS ESTÉ EN USO. LAS PARTES ACCESIBLES PUEDEN ESTAR MUY CALIENTES.

PREPARACIÓN PARA EL USO

Siga estas instrucciones cuidadosamente para evitar dañar seriamente su horno de pizza y causar lesiones a usted mismo o a la propiedad.

1. Arme el horno de pizza y la puerta del horno de pizza siguiendo las instrucciones de montaje cuidadosamente.
2. Conecte el horno de pizza a una toma de corriente que esté apagada, presione el botón de encendido principal (D) para encender el horno de pizza, presione el botón de control para que la pantalla comience a funcionar, la pantalla mostrará la temperatura de la cámara del horno. Presione el botón (C) para iniciar la función de rotación.
3. Recuerde desconectar el enchufe de la toma de corriente después de su uso.

FUNCIONES DE LOS BOTONES DE CONTROL

- Presione el botón para ingresar al estado de encendido y mostrar la temperatura.
- Gire en sentido horario para aumentar la temperatura deseada o gire en sentido antihorario para reducir la temperatura deseada.
- Presione el botón durante tres segundos para cambiar entre °F o °C.
- Ajuste de temperatura: una vez que haya girado el botón de control para establecer la temperatura deseada, suelte el botón de control y la pantalla parpadeará 3 veces para confirmar la temperatura establecida. El horno de pizza comenzará a calentar hasta alcanzar la temperatura establecida. La pantalla mostrará el progreso desde la temperatura actual hasta que se alcance la temperatura establecida. Tenga en cuenta que la temperatura mostrada en la pantalla es la temperatura establecida seleccionada, una vez que se coloque la comida sobre la superficie de cocción, la temperatura de cocción de la superficie disminuirá debido a la comida fría. La pantalla seguirá mostrando la temperatura establecida que configuró y se calentará hasta alcanzar esa temperatura.
- Presione el botón para apagar.
- Retire el enchufe de la toma de corriente cuando no esté usando el horno.

CONDICIONES AMBIENTALES

- Usar el horno en un clima más frío o a una altitud mayor aumentará su tiempo de cocción.
- El viento sostenido reducirá la temperatura interna del horno de pizza.
- Las superficies de cocción son fácilmente intercambiables.

3. Almacenaje

- Siempre permita que el horno de pizza se enfríe antes de almacenarlo.
- Siempre desenchufe tirando del enchufe. No tire del cable.
- Cubra el horno de pizza solo cuando se haya enfriado.
- Siempre guarde el horno de pizza cubierto en un lugar cálido y seco.

4. Limpieza y Mantenimiento

PRECAUCIÓN: Toda limpieza y mantenimiento debe realizarse cuando el horno de pizza esté frío y con el enchufe desconectado de la toma de corriente. "Eliminando restos" del horno de pizza después de cada uso (por unos 15 minutos) mantendrá al mínimo los residuos de comida. Se recomienda limpiar y realizar mantenimiento al horno de pizza al menos una vez al mes para extender su vida útil y disminuir la posibilidad de problemas.

5. Limpieza

- Permita que el horno de pizza se enfríe antes de limpiarlo.
- No use equipos de vapor a alta presión ni chorro de agua para limpiar el horno de pizza.

SUPERFICIE EXTERIOR

- Use detergente suave o una solución de bicarbonato de sodio y agua caliente. Se puede usar polvo abrasivo para manchas persistentes, luego enjuague con agua.

SUPERFICIES PLÁSTICAS

- Lave con un paño suave y una solución de agua jabonosa caliente. Enjuague con agua. No use limpiadores abrasivos, desengrasantes o limpiadores concentrados para barbacoas en las partes plásticas.

PIEDRA PARA PIZZA

- Use el cepillo de alambre COZZE para cepillar los restos después de "eliminar residuos". Si es necesario, la piedra fría se puede enjuagar con agua. Asegúrese de que la piedra esté completamente seca antes de usarla nuevamente.

6. Devolución del aparato para reparación, servicio y garantía

- No modifique el horno de pizza. Esto puede hacer que el horno de pizza se vuelva inseguro. Cualquier modificación anulará la garantía.
- Si no puede solucionar ningún fallo siguiendo estas instrucciones, contacte con su distribuidor local para obtener asesoramiento, inspección o instrucciones de reparación.
- Guarde todas las pruebas de pago y el certificado de instalación para fines de garantía. Si no se pueden suministrar, todas las garantías se considerarán nulas.

7. Hornee la pizza perfecta con su horno de pizza Cozze

Precalente su horno de pizza Cozze a aproximadamente 400°C. ¡El calor elevado es el secreto de la perfección de la pizza!

Cómo usar su horno de pizza:

1. Precalentar a fondo:

- Enchufe el horno y precaliéntelo durante al menos 20 minutos para asegurar que la piedra alcance los 400°C. (Use un termómetro infrarrojo Cozze para mayor precisión.)

2. Hornear su pizza:

- Coloque su pizza sobre la piedra caliente y giratoria usando una pala.
- Reduzca la temperatura mientras hornea para mantener la corteza crujiente sin quemarla.

3. Entre pizzas:

- Para pizzas adicionales, suba la temperatura al máximo durante 5 minutos para recalentar la piedra, luego repita el proceso.

4. Servir y disfrutar:

- Retire la pizza, deje que se enfríe ligeramente, córtela y disfrútela.

Con Cozze, cada noche de pizza es una obra maestra.

¡Buen provecho!

8. Garantía general Cozze

Cozze ofrece una garantía de 2 años en todos sus productos.

La garantía anterior está sujeta a lo siguiente:

- El producto Cozze se utiliza de acuerdo con las instrucciones del manual del usuario.
- El producto Cozze no ha sido modificado.
- El producto Cozze está correctamente ensamblado según las normativas.
- El producto Cozze se mantiene y limpia con frecuencia según el manual del usuario.
- Almacene el producto Cozze cubierto con una funda cuando no lo esté usando.
- Almacenaje de invierno de Cozze: todas las piezas de madera, piedras para pizza y accesorios de Cozze deben almacenarse en interiores durante el invierno.
- El producto Cozze está, cuando corresponde, conectado al tipo correcto de gas o electricidad.
- El producto Cozze se coloca sobre una superficie plana y segura.
- El producto Cozze no está equipado con piezas no originales de Cozze.
- El producto Cozze no debe almacenarse como un componente sólido cerca del mar, piscinas de cloro/sal o jacuzzis.
- El producto Cozze se utiliza solo para uso privado.

La garantía no cubre. Productos Cozze que estén defectuosos, dañados o de alguna otra forma deteriorados debido a:

- Desgaste esperado con el uso normal.
- Vandalismo.
- Clima inusual como granizo, clima tormentoso, tornados, tsunamis, terremotos o tormentas fuertes.
- Otras condiciones ambientales como lluvia ácida, cloro/sal en el aire y otras condiciones ambientales.

FORNO PER PIZZA ELETTRICO

IT - Manuale dell'utente

Leggere e seguire queste istruzioni per garantire la sicurezza e prevenire danni alla proprietà.

ATTENZIONE: Indica una situazione pericolosa che, se non evitata, potrebbe causare lesioni minori o moderate.

AVVERTENZA: Indica una situazione pericolosa che, se non evitata, potrebbe causare morte o gravi lesioni.

PERICOLO: Indica una situazione pericolosa che, se non evitata, risulterà in morte o gravi lesioni.

AVVERTENZA!

Leggere attentamente questa istruzione e assicurarsi che il forno per pizza sia installato, assemblato, mantenuto e manutenuo correttamente secondo queste istruzioni. La mancata osservanza di queste istruzioni può causare gravi lesioni corporee e/o danni alla proprietà.

Se avete domande riguardo l'assemblaggio o l'uso di questo forno per pizza, consultare il rivenditore.

Note per l'utente:

QUESTO FORNO PER PIZZA È SOLO PER USO DOMESTICO. LEGGERE LE ISTRUZIONI PRIMA DI UTILIZZARE L'APPARECCHIO. AVVERTENZA: LE PARTI ACCESSIBILI POSSONO ESSERE MOLTO CALDE, MANTENERE I BAMBINI PICCOLI LONTANO. NON MUOVERE L'APPARECCHIO DURANTE LA COTTURA. CONSERVARE IL MANUALE PER FUTURI RIFERIMENTI. I DISEGNI SONO SOLO A SCOPO ILLUMINATIVO.

FORNO PER PIZZA ELETTRICO			
90446 (13 INCH)		90448 (17 INCH)	
220-240 V~ 50-60 Hz	2200 W	220-240 V~ 50-60 Hz	2200 W
IPX4	Net weight: 21.8 kg	IPX4	Net weight: 26.4 kg
Millarco International A/S Rokhøj 26, 8520 Lystrup, Denmark www.millarco.com www.cozzebbq.com millarco@millarco.com			



Non smaltire l'apparecchio elettrico come rifiuto urbano non differenziato, utilizzare strutture di raccolta separate. Contattare il governo locale per informazioni sui sistemi di raccolta disponibili. Se gli apparecchi elettrici vengono smaltiti nelle discariche, le sostanze pericolose possono infiltrarsi nelle falde acquifere e finire nella catena alimentare, danneggiando la salute e il benessere.

U1.1 Funzionamento

PERICOLO

- Utilizzare il forno per pizza in un'area ben ventilata.
- Non utilizzare carbone, briquettes, carburante liquido o pietra lavica nel forno per pizza.

AVVERTENZA

- Utilizzare esclusivamente come descritto in questo manuale dell'utente. Un uso improprio può causare incendio, scosse elettriche o lesioni.
- Questo forno per pizza deve essere collegato solo a una presa di corrente messa a terra.
- Questo forno per pizza deve essere alimentato tramite un dispositivo di protezione da corrente residua (RCD) con corrente di funzionamento residua non superiore a 30 mA.
- Non utilizzare il forno per pizza se la presa elettrica è danneggiata.
- Se il cavo di alimentazione è danneggiato, deve essere sostituito dal produttore, dal suo agente di assistenza o da persone qualificate per evitare rischi.
- Scollegare sempre tirando la spina. Non tirare il cavo.
- Non utilizzare il forno per pizza a meno di 3 metri da qualsiasi fonte d'acqua, come una piscina o un laghetto.
- Non utilizzare il forno per pizza a meno di 60 cm da materiali combustibili. Le distanze minime di sicurezza sono: sopra il forno per pizza 1,2 m. Sul retro e sui lati 60 cm (vedi illustrazione).
- Tenere l'area di cottura lontano da vapori e liquidi infiammabili, come benzina, alcol, ecc., e materiali infiammabili/combustibili.
- Se dovesse verificarsi un incendio da grasso, chiudere il coperchio, spegnere il pulsante di accensione, scollegare il forno dalla presa e lasciare il coperchio chiuso finché il fuoco non si spegne. Non usare liquidi per spegnere le fiamme.
- Le parti accessibili potrebbero essere molto calde. Tenere i bambini e gli animali domestici lontano.
- **AVVERTENZA:** Il forno per pizza e le sue parti accessibili diventano caldi durante l'uso. Prestare attenzione a non toccare gli elementi riscaldanti.
- Questo forno per pizza può essere utilizzato da bambini di 8 anni in su e da persone con capacità fisiche, sensoriali o mentali ridotte o prive di esperienza e conoscenza, se sono stati forniti di supervisione o istruzioni sull'uso sicuro del forno per pizza e comprendono i rischi associati. I bambini non devono giocare con il forno per pizza. La pulizia e la manutenzione non devono essere effettuate dai bambini senza supervisione.
- I bambini di età inferiore agli 8 anni devono essere tenuti lontano, a meno che non siano sotto supervisione continua.
- L'uso di alcol, farmaci su prescrizione, farmaci senza prescrizione o droghe illegali può compromettere la capacità del consumatore di assemblare, spostare, conservare o utilizzare correttamente e in sicurezza il forno per pizza.
- Le istruzioni per le persone (compresi i bambini) con capacità fisiche, sensoriali o mentali ridotte o prive di esperienza e conoscenza non sono applicabili.
- Non lasciare mai il forno per pizza incustodito durante il preriscaldamento o l'uso. Usare cautela durante l'uso di questo forno per pizza.
- Non spostare il forno per pizza durante l'uso.
- Tenere qualsiasi cavo di alimentazione lontano da superfici calde. Seguire le istruzioni per la gestione dei cavi.

- Posizionare il cavo di alimentazione lontano dalle aree di passaggio. Disporre il cavo in modo che non venga tirato o inciampato.
- Non utilizzare il forno per pizza se è caduto o presenta malfunzionamenti di qualsiasi tipo.
- Non utilizzare carbone o combustibili simili con questo forno per pizza.
- Il forno per pizza deve essere collegato a una presa con contatto di messa a terra.
- Il cavo di alimentazione deve essere regolarmente esaminato per segni di danneggiamento e il forno per pizza non deve essere utilizzato se il cavo è danneggiato.
- Per proteggersi dalle scosse elettriche, non immergere il cavo, le spine, le sonde o il forno per pizza in acqua o in altri liquidi.
- Per evitare scosse elettriche, non spruzzare liquidi all'interno del forno per pizza.
- Utilizzare il forno per pizza solo su una superficie piana e resistente al calore.
- Indossare guanti resistenti al calore quando si utilizza il forno per pizza.

ATTENZIONE

- Quando si collega questo forno per pizza a una fonte di alimentazione, assicurarsi che la tensione di alimentazione corrisponda alla tensione nominale indicata sull'etichetta del forno per pizza.
- Non superare la potenza della presa elettrica.
- Non utilizzare il forno per pizza in nessun veicolo o nell'area di stoccaggio o di carico di un veicolo. Ciò include, ma non si limita a, automobili, camion, station wagon, minivan, veicoli sportivi, case mobili, roulotte e barche.
- Durante l'installazione: non posizionare su superfici o vicino a pareti, divisori o mobili da cucina e simili, a meno che non siano fatti di materiale non combustibile o rivestiti con materiale isolante termico non combustibile, e prestare attenzione alle normative antincendio.
- Non utilizzare il forno per pizza con la porta del forno per pizza per più di 2 ore per evitare il surriscaldamento del forno.
- NON utilizzare la pietra sopra una fiamma aperta.
- Evitare cambiamenti estremi di temperatura sulla pietra. NON mettere cibi congelati su una pietra calda.
- La pietra è fragile e può rompersi se urtata o lasciata cadere.
- La pietra è molto calda durante l'uso e rimane calda a lungo dopo l'uso.
- NON raffreddare la pietra con acqua quando è calda.
- Dopo aver pulito la pietra con acqua, asciugarla prima dell'uso. Questo può essere fatto in un forno convenzionale a 60°C (140°F) per 2 ore.
- Conservare la pietra per pizza in un luogo asciutto e caldo.
- La pietra per pizza è considerata una parte soggetta a usura e non è coperta dalla garanzia.
- Lasciare raffreddare il forno per pizza prima di spostarlo, pulirlo o riporlo.
- • La porta del forno per pizza non deve essere utilizzata vicino a materiali infiammabili durante la cottura. (Prodotti a base di petrolio, solventi o qualsiasi altro oggetto solido che porti un'etichetta di avvertenza infiammabile.)
- • Coprire il forno per pizza solo quando è freddo.

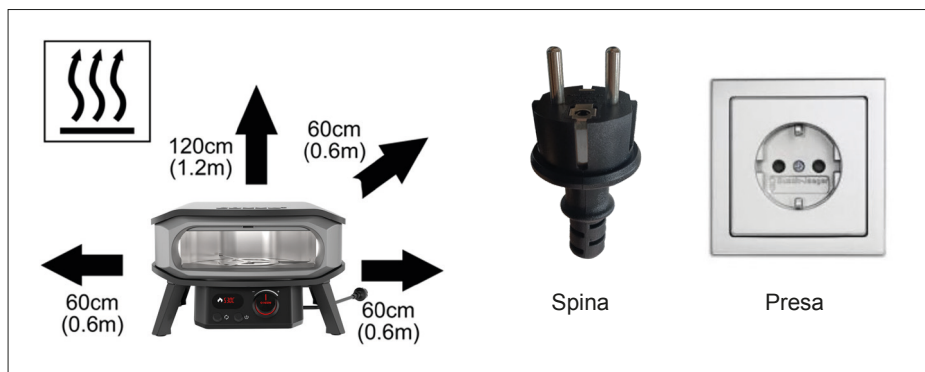
1.2 Installazione e Montaggio

ATTENZIONE

- Questo modello di forno per pizza è progettato esclusivamente per l'uso autonomo su una superficie piana.
- Leggere attentamente le seguenti istruzioni e assicurarsi che il forno per pizza sia installato, assemblato e mantenuto correttamente. La mancata osservanza di queste istruzioni può comportare gravi lesioni personali e/o danni alla proprietà.

AVVERTENZA

- Per ridurre al minimo il rischio di danni alla proprietà e/o lesioni personali, non utilizzare una prolunga a meno che non sia conforme alle specifiche indicate in questo manuale utente.
- Se necessario utilizzare una prolunga, questa deve essere collegata a una presa di corrente con messa a terra. Usare solo un cavo da 14 gauge con spina con messa a terra, adatto per l'uso con il forno per pizza. La lunghezza massima della prolunga è di 4 metri. Mantenere la prolunga il più corta possibile. Esaminare la prolunga prima dell'uso e sostituirla se danneggiata.
- Assicurarsi che il cavo non rappresenti un pericolo di inciampo.
- Mantenere le connessioni asciutte.
- Lo sportello del forno per pizza è un accessorio mobile per il vostro forno. L'utilizzo di questo sportello durante il riscaldamento può ridurre il tempo di riscaldamento del 20-30%.
- Lo sportello del forno per pizza deve essere tenuto lontano da materiali infiammabili durante l'uso.
- Lo sportello del forno per pizza non deve essere posizionato su superfici infiammabili finché non si è raffreddato.
- Non posizionare lo sportello del forno sopra il forno durante la cottura.
- NON lasciare oggetti pericolosi come accendini o liquidi infiammabili vicino allo sportello del forno per pizza. Infatti, lo sportello emette calore in tutte le direzioni dopo l'uso.
- Osservare tutte le leggi e normative locali durante l'uso di questo forno per pizza.
- In caso di dubbi sul montaggio o sul funzionamento, consultare il rivenditore.
- Si raccomanda di utilizzare guanti protettivi quando si maneggiano componenti particolarmente caldi.
- Le parti sigillate dal produttore o dal suo agente non devono essere manomesse dall'utente.
- **NOTA PER IL CONSUMATORE:** Conservare questo manuale per riferimento futuro.



2. Caratteristiche del prodotto



A: Uno schermo LED funge da termometro digitale che visualizza la temperatura della camera del forno fino al raggiungimento della temperatura impostata. Questo garantisce una lettura precisa della temperatura.

B: La manopola di controllo è facile da usare. Premere per accendere o spegnere il forno. Ruotare in senso orario per aumentare la temperatura desiderata o in senso antiorario per diminuirla. Premere la manopola per tre secondi per passare da °F a °C.

C: Il pulsante del motore rotante controlla l'apertura e la chiusura del supporto rotante.

D: Il pulsante principale accende e spegne il forno per pizza.

E: Lo sportello del forno per pizza è utilizzato sia durante il preriscaldamento che durante la cottura.



ATTENZIONE:
ALTA TEMPERATURA

AVVERTENZA!

**NON TOCCARE IL CORPO, IL PANNELLO
SUPERIORE O LA RESISTENZA
DURANTE L'USO. LE PARTI ACCESSIBILI
POSSONO ESSERE MOLTO CALDE.**

PREPARAZIONE ALL'USO

Seguire attentamente queste istruzioni per evitare danni al forno per pizza e lesioni personali o alla proprietà.

1. Assemblare il forno per pizza e il suo sportello seguendo attentamente le istruzioni di montaggio.
2. Collegare il forno a una presa spenta, premere il pulsante principale (D) per accendere il forno, premere la manopola di controllo per avviare il display, che mostrerà la temperatura della camera del forno. Premere il pulsante (C) per avviare la funzione rotante.
3. Ricordarsi di scollegare la spina dopo l'uso.

FUNZIONI DEI PULSANTI DI CONTROLLO

- Premere la manopola per accendere il forno e visualizzare la temperatura.
- Ruotare in senso orario per aumentare la temperatura desiderata o in senso antiorario per diminuirla.
- Premere la manopola per tre secondi per passare da °F a °C.
- Impostazione della temperatura: Una volta ruotata la manopola per impostare la temperatura desiderata, rilasciarla e il display lampeggerà tre volte per confermare la temperatura impostata. Il forno inizierà a riscaldarsi fino a raggiungere la temperatura impostata.
- Il display mostrerà il progresso dalla temperatura attuale fino al raggiungimento della temperatura impostata. Nota che la temperatura mostrata sul display è quella impostata; quando il cibo viene posto sulla superficie di cottura, la temperatura effettiva della superficie diminuirà a causa del cibo freddo. Il display continuerà a mostrare la temperatura impostata e il forno si riscalderà fino a raggiungerla.
- Premere la manopola per spegnere il forno.
- Scollegare la spina dalla presa di corrente quando il forno non è in uso.

CONDIZIONI AMBIENTALI

- L'uso del forno in un clima più freddo o ad altitudini più elevate prolungherà il tempo di cottura.
- I venti persistenti ridurranno la temperatura interna del forno per pizza.
- Le superfici di cottura sono facilmente intercambiabili.

3. Conservazione

- Lasciare sempre raffreddare il forno per pizza prima di riporlo.
- Scollegare sempre il forno tirando la spina. Non tirare il cavo.
- Coprire il forno per pizza solo quando si è raffreddato.
- Conservare sempre il forno coperto in un luogo caldo e asciutto.

4. Pulizia e manutenzione

ATTENZIONE: Tutte le operazioni di pulizia e manutenzione devono essere effettuate a forno freddo e con la spina scollegata dalla presa di corrente. Effettuare un "burn-off" del forno per circa 15 minuti dopo ogni utilizzo ridurrà al minimo i residui di cibo in eccesso. Si raccomanda di pulire e mantenere il forno almeno una volta al mese per prolungarne la durata e ridurre la possibilità di problemi.

5. Pulizia

- Lasciare raffreddare il forno per pizza prima di pulirlo.
- Non utilizzare attrezzature a vapore ad alta pressione o getti d'acqua per pulire il forno per pizza.

SUPERFICI ESTERNE

- Utilizzare un detergente delicato o una soluzione di bicarbonato e acqua calda. Per le macchie ostinate, utilizzare una polvere abrasiva non aggressiva, quindi risciacquare con acqua.

SUPERFICI IN PLASTICA

- Lavare con un panno morbido e una soluzione di acqua calda e sapone. Risciacquare con acqua. Non utilizzare detergenti abrasivi, sgrassatori o detergenti concentrati per barbecue su parti in plastica.

PIETRA PER PIZZA

- Usare la spazzola in filo COZZE per rimuovere i residui dopo il "burn-off". Se necessario, la pietra fredda può essere sciacquata con acqua. Assicurarsi che la pietra sia completamente asciutta prima del prossimo utilizzo.

6. Restituzione dell'apparecchio per riparazioni, assistenza e garanzia

- Non modificare il forno per pizza. Questo potrebbe renderlo pericoloso e invaliderà qualsiasi garanzia.
- Se non è possibile risolvere un problema seguendo queste istruzioni, contattare il distributore locale per ricevere consigli, ispezioni o istruzioni per la riparazione.
- Conservare tutte le prove di pagamento e il certificato di installazione per scopi di garanzia. In assenza di questi documenti, tutte le garanzie saranno considerate nulle.

7. Cuocere la Pizza Perfetta con il Forno per Pizza Cozze

Preriscalda il tuo forno per pizza Cozze a circa 400°C. L'alta temperatura è il segreto per una pizza perfetta!

Come Usare il Tuo Forno per Pizza:

1. Preriscaldamento Completo:

- Collega il forno e preriscaldalo per almeno 20 minuti per assicurarti che la pietra raggiunga i 400°C. (Usa un termometro a infrarossi Cozze per la massima precisione.)

2. Cuoci la Tua Pizza:

- Posiziona la pizza sulla pietra calda e rotante utilizzando una pala.
- Riduci la temperatura durante la cottura per mantenere la crosta croccante senza bruciarla.
- Turn the temperature to low while baking to keep the crust crisp without burning.

3. Tra una Pizza e l'Altra:

- Per pizze successive, alza la temperatura al massimo per 5 minuti per riscaldare nuovamente la pietra, poi ripeti il processo.

4. Servire e Gustare:

- Rimuovi la pizza, lasciala raffreddare leggermente, tagliala e assapora il risultato.

Con Cozze, ogni serata pizza è un capolavoro.
Buon appetito!

8. Garanzia Generale Cozze

Cozze offre una garanzia di 2 anni su tutti i prodotti.

La garanzia è valida a condizione che:

- Il prodotto Cozze sia utilizzato in conformità con le istruzioni presenti nel manuale d'uso.
- Il prodotto Cozze non sia modificato.
- Il prodotto Cozze sia assemblato correttamente secondo le normative.
- Il prodotto Cozze sia mantenuto e pulito regolarmente come indicato nel manuale d'uso.
- Il prodotto Cozze sia coperto con un'apposita copertura quando non è in uso.
- Conservazione invernale Cozze: Tutte le parti in legno, le pietre per pizza e gli accessori devono essere conservati al chiuso durante l'inverno.
- Il prodotto Cozze sia collegato al tipo corretto di gas o elettricità, dove applicabile.
- Il prodotto Cozze sia posizionato su una superficie piana e sicura.
- Il prodotto Cozze non sia dotato di parti non originali Cozze.
- Il prodotto Cozze non sia conservato come un componente fisso vicino al mare, piscine clorate o vasche idromassaggio.
- Il prodotto Cozze sia destinato esclusivamente all'uso privato.

La garanzia non copre:

I prodotti Cozze difettosi, danneggiati o deteriorati a causa di:

- Normale usura prevista con l'utilizzo regolare.
- Atti di vandalismo.
- Condizioni climatiche insolite come grandine, tempeste, tornado, tsunami, terremoti o forti tempeste.
- Altre condizioni ambientali come piogge acide, cloro/sale nell'aria e altri fattori atmosferici.

ELEKTRISK PIZZAOVN

DK - Brugervejledning

Læs og følg disse anvisninger for at sikre sikkerheden og undgå skader på ejendom.

FORSIGTIG: Angiver en farlig situation, som kan føre til mindre eller moderate skader, hvis den ikke undgås.

ADVARSEL: Angiver en farlig situation, som kan føre til dødsfald eller alvorlige skader, hvis den ikke undgås.

FARE: Angiver en farlig situation, som vil føre til dødsfald eller alvorlige skader, hvis den ikke undgås.

ADVARSEL!

Læs denne vejledning grundigt, og sørg for, at din pizzaovn er korrekt installeret, samlet, vedligeholdt og betjent i overensstemmelse med disse instruktioner. Manglende overholdelse kan resultere i alvorlige personskader og/eller skader på ejendom.

Hvis du har spørgsmål om samling eller betjening af pizzaovnen, bedes du kontakte din forhandler.

Bemærk til brugeren:

DENNE PIZZAOVN ER KUN TIL HUSHOLDNINGSBRUG. LÆS VEJLEDNINGEN INDEN BRUG AF APPARATET. ADVARSEL: TILGÆNGELIGE DELE KAN BLIVE MEGET VARME, HOLD SMÅ BØRN VÆK. FLYT IKKE APPARATET UNDER MADLAVNING. OPBEVAR MANUALEN TIL FREMTIDIG REFERENCE. TEGNINGER ER KUN TIL ORIENTERING.

ELEKTRISK PIZZAOVN			
90446 (13 INCH)		90448 (17 INCH)	
220-240 V~ 50-60 Hz	2200 W	220-240 V~ 50-60 Hz	2200 W
IPX4	Net weight: 21.8 kg	IPX4	Net weight: 26.4 kg
Millarco International A/S Rokhøj 26, 8520 Lystrup, Denmark www.millarco.com www.cozzebbq.com millarco@millarco.com			



Elektriske apparater må ikke bortskaffes som usorteret husholdningsaffald. Brug separate indsamlingsfaciliteter. Kontakt din lokale myndighed for information om indsamlingssystemer. Hvis elektriske apparater bortskaffes på lossepladser, kan farlige stoffer sive ned i grundvandet og skade sundheden.

1.1 Drift

FARE

- Brug pizzaovnen i et godt ventileret område.
- Brug ikke kul, briketter, flydende brændstof eller lavasten i pizzaovnen.

ADVARSEL

- Brug kun pizzaovnen som beskrevet i denne brugervejledning. Forkert brug kan medføre brand, elektrisk stød eller personskaade.
- Denne pizzaovn skal kun tilsluttes en jordet stikkontakt.
- Pizzaovnen skal forsynes via en fejlstrømsafbryder (RCD) med en mærkestrøm, der ikke overstiger 30 mA.
- Betjen ikke pizzaovnen, hvis stikkontakten er beskadiget.
- Hvis ledningen er beskadiget, skal den udskiftes af producenten, en serviceagent eller tilsvarende kvalificerede personer for at undgå fare.
- Afbryd altid strømmen ved at trække i stikket, ikke i ledningen.
- Brug ikke pizzaovnen inden for 3 meter fra nogen form for vand, som f.eks. en pool eller en dam.
- Hold pizzaovnen mindst 60 cm væk fra brændbare materialer. Minimum sikre afstande: Over pizzaovnen 1,2 meter, bag og på siderne 60 cm (se illustration).
- Hold området omkring ovnen fri for brandfarlige dampe og væsker, såsom benzin og alkohol, samt brandbare materialer.
- Ved fedtbrand skal låget lukkes, strømmen slukkes, og stikket trækkes ud. Lad låget forblive lukket, indtil branden er slukket. Brug ikke væske til at slukke flammer.
- Tilgængelige dele kan blive meget varme. Hold små børn og kæledyr væk.
- ADVARSEL: Pizzaovnen og dens tilgængelige dele bliver varme under brug. Pas på ikke at røre varmeelementerne.
- Pizzaovnen kan bruges af børn fra 8 år og opefter samt personer med nedsatte fysiske, sensoriske eller mentale evner, hvis de er blevet instrueret i sikker brug og forstår de medfølgende risici. Børn må ikke lege med ovnen. Rengøring og vedligeholdelse må ikke udføres af børn uden opsyn.
- Børn under 8 år skal holdes væk fra pizzaovnen, medmindre de er under konstant opsyn.
- Brug af alkohol, receptpligtig medicin, håndkøbsmedicin eller ulovlige stoffer kan påvirke brugerens evne til at samle, flytte, opbevare eller betjene ovnen korrekt og sikkert.
- Pizzaovnen må ikke efterlades uden opsyn under forvarmning eller brug.
- Flyt ikke pizzaovnen under brug.
- Sørg for, at ledningen ikke er i nærheden af varme overflader. Følg instruktionerne for ledningshåndtering.
- Placer ledningen væk fra steder med trafik, og arranger den, så den ikke bliver trukket eller udgør en snublefare.
- Brug ikke pizzaovnen, hvis den har været tabt eller viser tegn på funktionsfejl.
- Kul eller lignende brændbare brændstoffer må ikke bruges med denne ovn.
- Pizzaovnen skal tilsluttes en stikkontakt med jordforbindelse.
- Ledningen skal regelmæssigt tjekkes for skader, og pizzaovnen må ikke bruges, hvis ledningen er beskadiget.

- For at beskytte mod elektrisk stød må ledningen, stik, sonder eller pizzaovnen ikke nedsænkes i vand eller andre væsker.
- Spray ikke væsker inde i pizzaovnen for at undgå elektrisk stød.
- Betjen kun pizzaovnen på en plan, varmebestandig overflade.
- Brug varmebestandige handsker, når du betjener ovnen.

FORSIGTIG

- Når pizzaovnen tilsluttes en strømforsyning, skal du sikre, at strømforsyningens spænding svarer til den spænding, der er angivet på ovnens mærkat.
- Overskrid ikke stikudtagets maksimale wattstyrke.
- Brug ikke pizzaovnen i køretøjer eller opbevarings-/fragtområder, herunder biler, lastbiler, varevogne, autocampere, campingvogne eller både.
- Under installation: Placer ikke pizzaovnen på overflader eller tæt på vægge, skillevægge eller køkkenmøbler, medmindre disse er fremstillet af ikke-brændbare materialer eller beklædt med varmeisolerende materialer. Følg brandforebyggende regler.
- Brug ikke pizzaovnen med lågen på i mere end 2 timer for at forhindre overophedning.
- BRUG IKKE stenen over åben ild.
- Undgå ekstreme temperaturændringer på stenen. Placer ikke frosne fødevarer på en varm sten.
- Stenen er skrøbelig og kan gå i stykker, hvis den stødes eller tabes.
- Stenen bliver meget varm under brug og forbliver varm i lang tid efter brug.
- Køl ikke stenen med vand, når den er varm.
- Efter rengøring af stenen med vand skal stenen tørres grundigt, før den bruges. Dette kan gøres i en almindelig ovn ved 60 °C i 2 timer.
- Opbevar pizzastenen et tørt og varmt sted.
- Pizzastenen betragtes som en slidgenstand og er ikke dækket af garantien.
- Lad pizzaovnen køle af, før den flyttes, rengøres eller opbevares.
- Brug ikke ovndøren tæt på brændbare materialer under madlavning (f.eks. petroleumbaserede produkter, opløsningsmidler eller andre brandfarlige materialer).
- Dæk kun pizzaovnen til, når den er kølet af

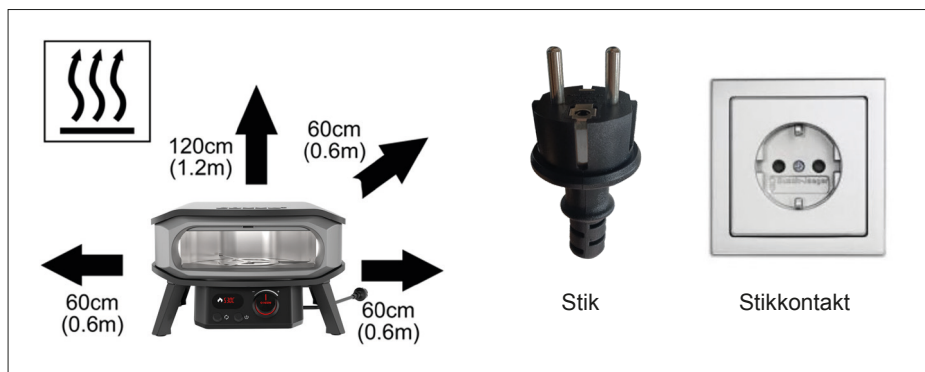
1.2 Installation og Samling

ADVARSEL

- Denne model af pizzaovn er kun beregnet til fritstående brug på en plan overflade.
- Læs følgende instruktioner omhyggeligt og sørg for, at din pizzaovn er korrekt installeret, samlet og vedligeholdt. Manglende overholdelse af disse instruktioner kan føre til alvorlige personskader og/eller materielle skader.

FORSIGTIG

- For at minimere risikoen for materielle skader og/eller personskade må du ikke bruge en forlængerledning, medmindre den opfylder specifikationerne i denne brugervejledning.
- Hvis det er nødvendigt at bruge en forlængerledning, skal den tilsluttes en jordet stikkontakt. Brug kun en 14-gauge ledning med et jordet stik, der er egnet til brug med pizzaovnen. Den maksimale længde på forlængerledningen er 4 meter. Hold forlængerledningen så kort som muligt. Undersøg ledningen før brug og udskift den, hvis den er beskadiget.
- Sørg for, at ledningen ikke udgør en snubelfare.
- Hold forbindelserne tørre.
- Pizzaovnens dør er en mobil dør til din pizzaovn. Brug af denne dør under opvarmning kan forkorte opvarmningstiden med 20-30 %.
- Pizzaovnens dør skal holdes væk fra brandfarlige materialer under brug.
- Placér ikke pizzaovnens dør på nogen brandbar overflade, før den er afkølet.
- Placér ikke pizzaovnens dør oven på pizzaovnen under madlavning.
- Efter brug udsender pizzaovnens dør varme i alle retninger. Undgå at efterlade farlige genstande som lightere eller tændvæske i nærheden af døren.
- Overhold alle lokale love og regler ved brug af denne pizzaovn.
- Hvis du har spørgsmål om samling eller betjening, kontakt din forhandler.
- Brug beskyttelseshandsker, når du håndterer særligt varme dele.
- De dele, der er forseglet af producenten eller deres repræsentant, må ikke manipuleres af brugeren.
- BEMÆRK TIL FORBRUGEREN: Opbevar denne vejledning til fremtidig reference.



2. Produktfunktioner



A: LED-skærm fungerer som et digitalt termometer, der viser ovnkammerets temperatur, indtil den ønskede temperatur er nået. Dette sikrer en præcis temperaturvisning.

B: Betjeningsknappen er nem at bruge. Tryk for at tænde eller slukke enheden. Drej med uret for at øge den ønskede temperatur eller mod uret for at sænke den. Tryk på knappen i tre sekunder for at skifte mellem °F og °C.

C: Knappen til roteringsmotor styrer åbning og lukning af det roterende stativ.

D: Hovedstrømsknappen tænder og slukker for pizzaovnen.

E: Pizzaovndøren bruges både under forvarmning af ovnen og under bagning af pizza.



ADVARSEL:
HØJ TEMPERATUR

FORSIGTIG!

Rør ikke ved ovnens krop, topplade eller varmeelementer under brug. Tilgængelige dele kan blive meget varme.

KLARGØRING TIL BRUG

Følg disse instruktioner omhyggeligt for at undgå alvorlige skader på pizzaovnen og personlige skader.

1. Saml pizzaovnen og pizzaovndøren i henhold til samlingsvejledningen.
2. Tilslut pizzaovnen til en stikkontakt, der er slukket. Tryk på hovedstrømsknappen (D) for at tænde ovnen. Tryk på betjeningsknappen for at aktivere skærmen, der viser ovnkammerets temperatur. Tryk på knap (C) for at starte rotationsfunktionen.
3. Husk at trække stikket ud efter brug.

FUNKTIONER FOR BETJENINGSKNAPPER

- Tryk på knappen for at tænde og vise temperaturen.
- Drej med uret for at øge den ønskede temperatur eller mod uret for at sænke den.
- Tryk på knappen i tre sekunder for at skifte mellem °F og °C.
- Temperaturindstilling: Drej knappen for at indstille temperaturen, slip knappen, og displayet blinker tre gange for at bekræfte. Ovnen opvarmes, indtil den når den indstillede temperatur. Displayet viser fremskridtet fra aktuel temperatur til den ønskede temperatur. Bemærk, at displayet viser den indstillede temperatur, selvom madens overflade midlertidigt sænker ovntemperaturen.
- Tryk på knappen for at slukke ovnen.
- Træk stikket ud, når ovnen ikke er i brug.

OMGIVELSESFORHOLD

- Brug i koldt klima eller høj højde kan forøge tilberedningstiden.
- Vedvarende vind kan sænke pizzaovnens interne temperatur.
- Madlavningsoverfladerne er nemme at udskifte.

3. Opbevaring

- Lad altid pizzaovnen køle af, før den opbevares.
- Afbryd altid strømmen ved at trække i stikket. Træk ikke i ledningen.
- Dæk kun pizzaovnen til, når den er kølet ned.
- Opbevar altid den tilsluttede pizzaovn på et varmt og tørt sted.

4. Rengøring og Vedligeholdelse

FORSIGTIG: Al rengøring og vedligeholdelse skal udføres, når ovnen er kølet ned, og stikket er trukket ud. "Afbrænding" af ovnen efter hver brug (ca. 15 minutter) vil minimere madrester. Det anbefales at rengøre og vedligeholde pizzaovnen mindst en gang om måneden for at forlænge levetiden og reducere risikoen for problemer.

5. Rengøring

- Lad ovnen køle af, før den rengøres.
- Brug ikke højtryksdamprensere eller vandstråler til at rengøre ovnen.

UDVENDIGE OVERFLADER

- Brug mildt rengøringsmiddel eller natron og varmt vand. Brug ikke-slibende skurepulver til genstridige pletter og skyl efter med vand.

PLASTIKOVERFLADER

- Vask med en blød klud og varmt sæbevand. Skyl efter med vand. Brug ikke slibemidler, affedtningsmidler eller koncentrerede rengøringsmidler på plastdele.

PIZZASTEN

- Brug COZZE-børsten til at fjerne rester efter "afbrænding". Skyl stenen med vand, hvis nødvendigt, når den er kold. Sørg for, at stenen er helt tør før næste brug.

6. Reparation, Service og Garanti

- Foretag ikke ændringer på pizzaovnen. Dette kan gøre ovnen usikker og ugyldiggøre garantien.
- Hvis problemer ikke kan løses med denne vejledning, kontakt din lokale forhandler for hjælp, inspektion eller reparation.
- Gem alle kvitteringer og installationsbeviser til garantiformål.
- Uden disse er garantien ugyldig.

7. Bag den perfekte pizza med din Cozze pizzaovn

Forvarm din Cozze pizzaovn til ca. 400°C. Den høje varme er hemmeligheden bag den perfekte pizza!

Sådan bruger du din pizzaovn:

1. Forvarm grundigt:

- Sæt ovnen til strøm, og forvarm den i mindst 20 minutter, så stenen når 400°C. (Brug et Cozze infrarødt termometer for præcis måling.)

2. Bag din pizza:

- Placer din pizza på den varme, roterende sten ved hjælp af en pizzaspade.
- Sænk temperaturen til lav, mens du bager, for at holde bunden sprød uden at brænde den.

3. Mellem pizzaerne:

- For yderligere pizzaer, skru temperaturen op på maksimum i 5 minutter for at genopvarme stenen, og gentag processen.

4. Server og nyd:

- Tag pizzaen ud, lad den køle lidt af, skær den i stykker, og nyd!

Med Cozze bliver hver pizzaaften et mesterværk.
Bon appétit!

8. Generel Cozze-garanti

Cozze giver 2 års garanti på alle produkter.

Den ovennævnte garanti gælder under følgende betingelser:

- Cozze-produktet anvendes i henhold til instruktionerne i brugermanualen.
- Cozze-produktet er ikke blevet modificeret.
- Cozze-produktet er korrekt samlet i overensstemmelse med forskrifterne.
- Cozze-produktet bliver vedligeholdt og rengjort regelmæssigt i henhold til brugermanualen.
- Cozze-produktet opbevares tildækket, når det ikke er i brug.
- Cozze vinteropbevaring: Alle trædele, pizzasten og tilbehør til Cozze skal opbevares indendørs om vinteren.
- Cozze-produktet er, hvor det er relevant, tilsluttet korrekt type gas eller elektricitet.
- Cozze-produktet står på en plan og sikker overflade.
- Cozze-produktet er ikke udstyret med ikke-originale Cozze-dele.
- Cozze-produktet må ikke opbevares som en fast enhed tæt på havet, klorerede swimmingpools eller spabade.
- Cozze-produktet anvendes kun til privat brug.

Garantien dækker ikke:

Cozze-produkter, der er defekte, beskadigede eller på anden måde forringede som følge af:

- Forventet slid ved normal brug.
- Hærværk.
- Usædvanligt vejr såsom hagl, stormvejr, tornadoer, tsunamier, jordskælv eller kraftige storme.
- Andre miljøpåvirkninger såsom syreregn, klor/salt i luften og andre miljømæssige forhold.

ELEKTRISK PIZZAOVN

NO - Bruksanvisning

Les og følg disse anvisningene for å sikre trygg bruk og forhindre skader på eiendom.

FORSIKTIG: Indikerer en farlig situasjon som, hvis ikke unngås, kan føre til mindre eller moderate skader.

ADVARSEL: Indikerer en farlig situasjon som, hvis ikke unngås, kan føre til dødsfall eller alvorlige skader.

FARE: Indikerer en farlig situasjon som, hvis ikke unngås, vil føre til dødsfall eller alvorlige skader.

ADVARSEL!

Les denne instruksjonen nøye, og sørg for at pizzaovnen er riktig installert, montert, vedlikeholdt og håndtert i samsvar med disse instruksjonene. Feil bruk kan føre til alvorlige personskader og/eller skader på eiendom. Hvis du har spørsmål om montering eller bruk av pizzaovnen, kontakt forhandleren din.

Notater til brukeren:

DENNE PIZZAOVNEN ER BEREGNET KUN TIL HUSHOLDNINGSBRUK. LES INSTRUKSJONENE FØR DU BRUKER APPARATET. ADVARSEL: TILGJENGELIGE DELER KAN BLI MEGET VARME, HOLD SMÅ BARN UNNA. IKKE FLYTT APPARATET UNDER MATLAGING. BEHOLD MANUALEN FOR FREMTIDIG REFERANSE. TEGNINGER ER KUN TIL REFERANSE.

ELEKTRISK PIZZAOVN			
90446 (13 INCH)		90448 (17 INCH)	
220-240 V~ 50-60 Hz	2200 W	220-240 V~ 50-60 Hz	2200 W
IPX4	Net weight: 21.8 kg	IPX4	Net weight: 26.4 kg
Millarco International A/S Rokhøj 26, 8520 Lystrup, Denmark www.millarco.com www.cozzebbq.com millarco@millarco.com			



Elektriske apparater skal ikke kastes som usortert avfall, men samles separat. Kontakt lokale myndigheter for informasjon om tilgjengelige innsamlingssystemer. Elektriske apparater som kastes på søppelfyllinger, kan lekke farlige stoffer i grunnvannet og påvirke matkjeden, noe som kan skade helsen din.

U1.1 Bruk

FARE

- Bruk pizzaovnen i et godt ventilert område.
- Ikke bruk kull, brikker, flytende drivstoff eller lavastein i pizzaovnen.

ADVARSEL

- Bruk kun som beskrevet i denne bruksanvisningen. Feilbruk kan føre til brann, elektrisk støt eller skade.
- Pizzaovnen skal kun kobles til en jordet stikkontakt.
- Pizzaovnen bør kobles til via en jordfeilbryter (RCD) med en nominell reststrøm som ikke overstiger 30 mA.
- Ikke bruk pizzaovnen hvis stikkontakten er skadet.
- Hvis ledningen er skadet, må den skiftes ut av produsenten, serviceagenten eller en kvalifisert person for å unngå fare.
- Koble alltid fra strømmen ved å trekke i støpselet, ikke i kabelen.
- Ikke bruk pizzaovnen innen 3 meter fra vannkilder som basseng eller dam.
- Hold pizzaovnen minst 60 cm unna brennbare materialer. Minimumsavstand: Over ovnen 1,2 m. På baksiden og sidene 60 cm (se illustrasjon).
- Hold området rundt matlaging fritt for brennbare damp og væsker som bensin, alkohol osv.
- Ved fettbrann: Lukk lokket, slå av ovnen, trekk ut støpselet og hold lokket lukket til flammene slukker. Ikke bruk væske for å slukke flammer.
- Tilgjengelige deler kan bli svært varme. Hold små barn og kjæledyr unna.
- ADVARSEL: Pizzaovnen og dens tilgjengelige deler blir varme under bruk. Unngå å berøre varmeelementer.
- Pizzaovnen kan brukes av barn over 8 år og personer med nedsatt fysisk, sensorisk eller mental kapasitet eller manglende erfaring dersom de er instruert i sikker bruk og forstår risikoene. Barn skal ikke leke med pizzaovnen. Rengjøring og vedlikehold skal ikke utføres av barn uten tilsyn.
- Barn under 8 år må holdes unna uten kontinuerlig tilsyn.
- Bruk av alkohol, reseptbelagte medisiner, ikke-reseptbelagte medisiner eller illegale stoffer kan svekke evnen til å bruke pizzaovnen på en trygg måte.
- Pizzaovnen skal ikke brukes uten tilsyn under oppvarming eller matlaging.
- Ikke flytt pizzaovnen under bruk.
- Hold strømkabelen unna oppvarmede overflater.
- Plasser kabelen slik at den ikke utsettes for trafikk eller kan trekkes eller snubles over.
- Ikke bruk ovnen hvis den har falt ned eller fungerer unormalt.
- Pizzaovnen må kobles til en jordet stikkontakt.
- Strømkabelen må kontrolleres regelmessig for skader, og ovnen må ikke brukes hvis kabelen er skadet.
- For å beskytte mot elektrisk støt, må ikke kabel, støpsel eller ovn senkes i vann.
- Ikke spray væske inni pizzaovnen for å unngå elektrisk støt.

FORSIKTIG

- Når du kobler pizzaovnen til strømforsyningen, sørg for at spenningen samsvarer med spenningserklæringen som er merket på pizzaovnen.
- Ikke overskrid wattstyrken på den elektriske stikkontakten.
- Ikke bruk pizzaovnen i kjøretøy eller lagrings- eller lasteområder i kjøretøy (inkludert biler, lastebiler, stasjonsvogner, minivans, sport utility vehicles, campingvogner, båter osv.).
- Under installasjon: Ikke plasser på overflater eller nær vegger, skillevegger eller kjøkkenmøbler, med mindre de er laget av ikke-brennbart materiale eller kledd med ikke-brennbart varmeisolerende materiale. Følg brannforebyggingsforskrifter.
- Ikke bruk pizzaovnen med døren i mer enn 2 timer for å forhindre overoppheting av ovnen.
- IKKE bruk stenen over åpen flamme.
- Unngå ekstreme temperaturforandringer på stenen. IKKE legg frosne matvarer på en varm stein.
- Stenen er skjør og kan knekke hvis den blir støtt eller droppet.
- Stenen er veldig varm under bruk og forblir varm lenge etter bruk.
- IKKE kjøøl ned stenen med vann når den er varm.
- Etter rengjøring av stenen med vann, tørk stenen før bruk. Dette kan gjøres i en konvensjonell ovn ved 60 °C (140°F) i 2 timer.
- Oppbevar pizza stenen på et tørt og varmt sted.
- Pizza stenen regnes som en slitedel og er ikke dekket av garantien.
- La pizzaovnen kjøle seg ned før du flytter, rengjør eller oppbevarer den.
- Pizzaovnsdøren må ikke brukes nær brennbare materialer under matlaging (f.eks. petroleum-baserte produkter, tynnere eller andre faste objekter med brennbart advarselsmerke).
- Dekk kun til pizzaovnen når den er kald.

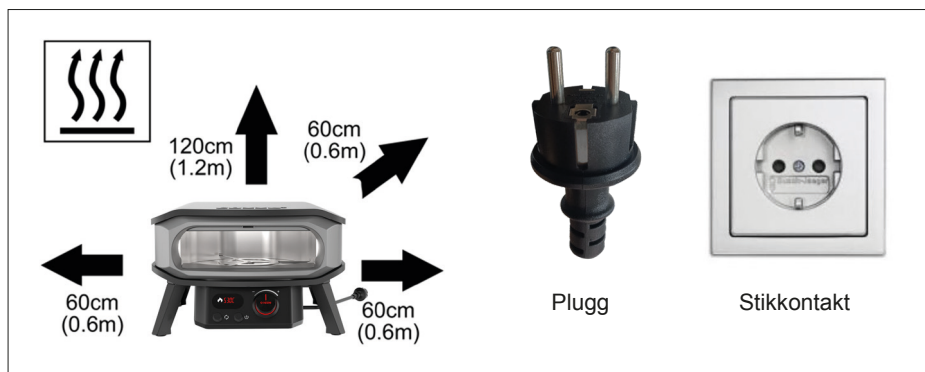
1.2 Installasjon og montering

ADVARSEL

- Denne modellen av pizzaovn er kun beregnet for frittstående bruk på en jevn overflate.
- Les følgende instruksjoner nøye, og vær sikker på at pizzaovnen er riktig installert, montert og vedlikeholdt. Unnlatelse av å følge disse instruksjonene kan føre til alvorlige personskader og/eller eiendomsskader.

FORHOLDSREGLER

- For å minimere risikoen for eiendomsskader og/eller personskader, bruk ikke et forlengelseskabel med mindre det er i samsvar med spesifikasjonene som er oppgitt i denne bruksanvisningen.
- Hvis det er nødvendig å bruke et forlengelseskabel, må det kobles til en jordet stikkontakt. Bruk kun et 14-gauge kabel med jordet plugg, egnet for bruk med pizzaovnen. Maksimal lengde for forlengelseskabelen er 4 meter. Hold forlengelseskabelen så kort som mulig. Inspiser forlengelseskabelen før bruk, og bytt den ut hvis den er skadet.
- Sørg for at kabelen ikke utgjør en snublefare.
- Hold tilkoblingene tørre.
- Pizzaovnsdøren er en mobil dør for pizzaovnen din. Bruk av denne døren under oppvarming kan forkorte oppvarmingstiden med 20-30%.
- Pizzaovnsdøren må holdes unna brennbare materialer under bruk.
- Pizzaovnsdøren må ikke settes på noen brennbar overflate før den er kald.
- Ikke plasser pizzaovnsdøren på toppen av pizzaovnen under matlaging.
- IKKE la noen farlige gjenstander, som lightere eller tennvæske, være ved siden av pizzaovnsdøren. Pizzaovnsdøren avgir varme i alle retninger etter bruk.
- Overhold alle lokale lover og forskrifter når du bruker pizzaovnen.
- Hvis du har spørsmål om montering eller drift, kontakt forhandleren din.
- Anbefales å bruke beskyttelseshansker ved håndtering av spesielt varme komponenter.
- Delene som er forseglet av produsenten eller hans agent, skal ikke manipuleres av brukeren.
- MERK FOR KUNDEN: Oppbevar denne manualen for fremtidig referanse.



2. Produktfunksjoner



A: En LED-skjerm fungerer som et digitalt termometer som viser ovnens kammeretemperatur til den innstilte temperaturen er nådd. Dette sikrer en presis og nøyaktig temperaturavlesning for pizzaovnen din.

B: Kontrollknappen er enkel å bruke. Trykk for å slå enheten på eller av. Vri med klokken for å øke ønsket temperatur eller mot klokken for å redusere ønsket temperatur. Trykk på knappen i tre sekunder for å bytte mellom °F eller °C.

C: Rotasjonsmotorens knapp styrer åpning og lukking av den roterende hyllen.

D: Hovedbryteren styrer på- og av-knappen for pizzaovnen.

E: Pizzaovnsdøren brukes både når ovnen forvarmes og under baking av pizzaen.



ADVARSEL
HØY TEMPERATUR

FORHOLDSREGLER!

IKKE BERØR KROPPEN, TOPPANEL
ELLER VARMECOILEN UNDER BRUK.
TILGJENGELIGE DELER KAN VÆRE
VELDIG VARME.

FORBEREDELSE FØR BRUK

Følg disse instruksjonene nøye for å unngå alvorlig skade på pizzaovnen og skade på deg selv og eiendom.

1. Monter pizzaovnen og pizzaovnsdøren ved å følge monteringsinstruksjonene nøye.
2. Koble pizzaovnen til en strømuttak som er slått av, trykk på hovedbryteren (D) for å slå på pizzaovnen, trykk på kontrollknappen for å få skjermen til å starte, og skjermen vil vise ovnens kammertemperatur. Trykk på knapp (C) for å starte rotasjonsfunksjonen.
3. Husk å trekke ut strømpluggen etter bruk.

KONTROLLKNAPP FUNKSJONER

- Trykk på knappen for å starte strømmen og vise temperaturen
- Vri med klokken for å øke ønsket temperatur eller mot klokken for å redusere ønsket temperatur.
- Trykk på knappen i tre sekunder for å bytte mellom °F eller °C.
- Temperaturinnstilling: Når du har vridd kontrollknappen for å sette ønsket temperatur, slipp kontrollknappen, og skjermen vil blinke 3 ganger for å bekrefte den innstilte temperaturen. Pizzaovnen begynner nå å varme opp til den innstilte temperaturen. Skjermen vil vise fremdriften fra gjeldende temperatur til den innstilte temperaturen. Merk at temperaturen som vises på skjermen er den innstilte temperaturen, og når mat legges på kokeoverflaten, vil den faktiske matlagings temperaturen synke på grunn av den kalde maten. Skjermen vil fortsatt vise den innstilte temperaturen og vil varme opp til den innstilte temperaturen.
- Trykk på knappen for å slå av.
- Trekk ut strømpluggen fra strømuttaket når ovnen ikke er i bruk.

AMBIENTE BETINGELSER

- Bruk av ovnen i kaldere klima eller høyere høyde vil forlenge koketiden.
- Vind vil senke pizzaovnsens interne temperatur.
- Kokeoverflatene kan enkelt byttes ut.

3. Lagring

- La alltid pizzaovnen kjøle seg ned før oppbevaring.
- Trekk alltid ut kontakten ved å trekke i stikkkontakten. Ikke dra i kableen.
- Dekk pizzaovnen kun når den har kjølt seg ned.
- Oppbevar alltid den dekkede pizzaovnen på et varmt og tørt sted.

4. Rengjøring og vedlikehold

FORHOLDSREGLER: All rengjøring og vedlikehold bør utføres når pizzaovnen er kald og strømpluggen er koblet fra strømuttaket. "Brenning av" pizzaovnen etter hver bruk (i ca. 15 minutter) vil redusere matrester til et minimum. Det anbefales å rengjøre og vedlikeholde pizzaovnen minst en gang i måneden for å forlenge levetiden og redusere risikoen for problemer.

5. Rengjøring

- La pizzaovnen kjøle seg ned før rengjøring.
- Ikke bruk høytrykks damputstyr eller vannstråle for å rengjøre pizzaovnen.

UTVENDIG OVERFLATE

- Bruk mildt vaskemiddel eller natron og varmt vann. Ikke-slipende skurepulver kan brukes på sta flekker, deretter skylles med vann.

PLASTOVERFLATER

- Vask med en myk klut og varmt såpevann. Skyll med vann. Bruk ikke slipende rengjøringsmidler, avfettingsmidler eller konsentrert grillrengjøring på plastdeler.

PIZZA STEN

- Bruk COZZE-børsten til å børste bort rester etter "brenning av". Hvis nødvendig kan den kalde stenen skylles med vann. Sørg for at stenen er helt tørr før neste bruk.

6. Returnering av apparatet for reparasjon, service og garanti

- Modifiser ikke pizzaovnen. Dette kan gjøre pizzaovnen usikker. Eventuelle modifikasjoner vil gjøre garantien ugyldig.
- Hvis du ikke kan rette opp en feil ved å følge disse instruksjonene, kontakt din lokale forhandler for råd, inspeksjon eller reparasjonsinstruksjoner.
- Vennligst oppbevar alle betalingsbevis og installasjonssertifikatet for garanti formål. Hvis disse ikke kan fremvises, vil alle garantier bli ansett som ugyldige.

7. Bak den perfekte pizzaen med din Cozze pizzaovn

Forvarm Cozze pizzaovnen til ca. 400°C.
Den høye varmen er hemmeligheten bak perfekt pizza!

Hvordan bruke pizzaovnen din:

1. Forvarm grundig:

- Koble til ovnen og forvarm i minst 20 minutter for å sikre at stenen når 400°C. (Bruk et Cozze infrarødttermometer for presisjon.)

2. Bak pizzaen:

- Plasser pizzaen på den varme, roterende stenen ved hjelp av en paddle.
- Senk temperaturen under bakingen for å holde skorpe sprø uten å brenne den.

3. Mellom pizzaene:

- For flere pizzaer, skru opp varmen til maks i 5 minutter for å varme opp stenen igjen, og gjenta prosessen.

4. Server og nyt:

- Ta ut pizzaen, la den avkjøles litt, skjær den opp og nyt.

Med Cozze blir hver pizzakveld et mesterverk.
Bon appétit!

8. Generell Cozze-garanti

Cozze gir en 2-års garanti på alle produkter.

Garantien er underlagt følgende betingelser:

- Cozze-produktet brukes i henhold til instruksjonene i bruksanvisningen.
- Cozze-produktet er ikke modifisert.
- Cozze-produktet er riktig montert i henhold til forskriftene.
- Cozze-produktet er vedlikeholdt og rengjort regelmessig i henhold til bruksanvisningen.
- Oppbevar Cozze-produktet dekket når det ikke er i bruk.
- Cozze vinterlagring: Alle trekomponenter, pizzasteiner og tilbehør for Cozze må oppbevares innendørs om vinteren.
- Cozze-produktet er, der det er aktuelt, tilkoblet riktig type gass eller elektrisitet.
- Cozze-produktet er plassert på en flat og sikker overflate.
- Cozze-produktet er ikke utstyrt med ikke-originale Cozze-deler.
- Cozze-produktet bør ikke oppbevares som en solid komponent nær sjøen, klor- eller saltvann i lufta eller svømmebasseng/spa.
- Cozze-produktet brukes kun til privat bruk.

Garantien dekker ikke.

Cozze-produkter som er defekte, skadet eller på annen måte forringet som følge av:

- Forventet slitasje ved normal bruk
- Vandalism
- Uvanlig vær som hagl, stormer, tornadoer, tsunamier, jordskjelv eller kraftige stormer.
- Andre omstendigheter som sur nedbør, klor/salt i luften og andre miljøforhold.

ELEKTRISK PIZZAOVN

SE - Bruksanvisning

Les og følg disse advarslene for å sikre sikkerhet og unngå skade på eiendom.

FORHOLDSREGLER: Indikerer en farlig situasjon som, hvis den ikke unngås, kan føre til mindre eller moderat skade.

ADVARSEL: Indikerer en farlig situasjon som, hvis den ikke unngås, kan føre til dødsfall eller alvorlig skade.

FARLIG: Indikerer en farlig situasjon som, hvis den ikke unngås, vil føre til dødsfall eller alvorlig skade.

ADVARSEL!

Les denne bruksanvisningen nøye og sørg for at pizzaovnen er riktig installert, montert, vedlikeholdt og servet i henhold til disse instruksjonene. Manglende overholdelse av disse instruksjonene kan føre til alvorlige kroppsskader og/eller skade på eiendom.

Hvis du har spørsmål angående montering eller bruk av pizzaovnen, vennligst kontakt forhandleren din.

Notater til brukeren:

DENNE PIZZAOVNEN ER KUN FOR HUSHOLDNINGSBRUK. LES INSTRUKSJONENE FØR DU BRUKER APPARATET. ADVARSEL: TILGJENGELIGE DELEKANDE KAN VÆRE VELDIG VARME, HOLD SMÅ BARN UNNA. IKKE FLYTT APPARATET UNDER MATLAGING. BEHOLD MANUALEN FOR SENERE REFERANSE. TEGNINGENE ER KUN FOR REFERANSE

ELECTRIC PIZZA OVEN			
90446(13 INCH)		90448(17 INCH)	
220-240 V~ 50-60 Hz	2200 W	220-240 V~ 50-60 Hz	2200 W
IPX4	Net weight: 21.8 kg	IPX4	Net weight: 26.4 kg
Millarco International A/S Rokhøj 26, 8520 Lystrup, Denmark www.millarco.com www.cozzebbq.com millarco@millarco.com			



Ikke kast elektriske apparater som usortert kommunalt avfall, bruk separate innsamlingsanlegg. Kontakt ditt lokale myndigheter for informasjon om tilgjengelige innsamlingssystemer. Hvis elektriske apparater kastes på søppelfyllinger, kan farlige stoffer lekke ut i grunnvannet og komme inn i næringskjeden, og skade helsen din.

U1.1 Drift

FARLIG

- Bruk pizzaovnen i et godt ventilert område.
- Ikke bruk kull, briketter, flytende drivstoff eller lavastein i pizzaovnen.

ADVARSEL

- Bruk kun som beskrevet i denne bruksanvisningen. Feilbruk kan føre til brann, elektrisk støt eller skade.
- Denne pizzaovnen bør kun tilkobles en jordet stikkontakt.
- Denne pizzaovnen skal leveres gjennom en feilstrømsbryter (RCD) med en nominell feilsøkningsstrøm som ikke overskrider 30 mA.
- Ikke bruk pizzaovnen hvis stikkontakten er skadet.
- Hvis forsyningskabelen er skadet, må den byttes ut av produsenten, tjenesteleverandøren eller lignende kvalifiserte personer for å unngå fare.
- Trekk alltid ut stikkontakten ved å trekke i pluggen. Ikke trekk i kabelen.
- Ikke bruk pizzaovnen innen 3 m fra vannkilder, som basseng eller dam.
- Ikke bruk pizzaovnen innen 60 cm fra brennbare materialer. Minimums sikre avstander er: Over pizzaovnen 1,2 m. Bak og på sidene 60 cm (Se illustrasjon).
- Hold kokeområdet fritt for brennbare damper og væsker, som bensin, alkohol, osv., og brennbare/komburende materialer.
- Skulle det oppstå en fettbrann, lukk lokket, slå av strømknappen, trekk pizzaovnen ut av stikkontakten og hold lokket lukket til brannen er slukket. Bruk ikke væske for å slukke flammer.
- Tilgjengelige deler kan bli veldig varme. Hold små barn og kjæledyr unna.
- ADVARSEL: Pizzaovnen og dens tilgjengelige deler blir varme under bruk. Vær forsiktig for å unngå å berøre varmeelementene.
- Denne pizzaovnen kan brukes av barn fra 8 år og oppover og personer med nedsatte fysiske, sensoriske eller mentale ferdigheter eller mangel på erfaring og kunnskap, forutsatt at de har fått tilsyn eller instruksjoner om sikker bruk av pizzaovnen og forstår farene som er involvert. Barn skal ikke leke med pizzaovnen. Rengjøring og vedlikehold skal ikke utføres av barn uten tilsyn.
- Barn under 8 år skal holdes unna med mindre de blir kontinuerlig overvåket.
- Bruken av alkohol, reseptbelagte medisiner, reseptfrie medisiner eller ulovlige rusmidler kan svekke brukerens evne til å montere, flytte, lagre eller bruke pizzaovnen på en riktig og sikker måte.
- Instruksjoner angående personer (inkludert barn) med nedsatte fysiske, sensoriske eller mentale ferdigheter, eller mangel på erfaring og kunnskap er ikke relevant.
- Ikke la pizzaovnen stå uten tilsyn under forvarming eller bruk. Vær forsiktig ved bruk av pizzaovnen.
- Ikke flytt pizzaovnen under bruk.
- Hold elektriske kabler unna oppvarmede overflater. Følg kabelstyringsinstruksjonene.
- Plasser strømledningen vekk fra trafikkerte områder. Arranger kabelen slik at den ikke blir trukket i eller snublet over.
- Ikke bruk pizzaovnen hvis den er droppet eller fungerer feil på noen måte.
- Kull eller lignende brennbare drivstoff skal ikke brukes med denne pizzaovnen.
- Pizzaovnen skal tilkobles en stikkontakt med jordingskontakt.

- Strømkabelen skal regelmessig inspiseres for tegn på skade, og pizzaovnen skal ikke brukes hvis kabelen er skadet.
- For å beskytte mot elektrisk støt, ikke nedsenk kabelen, plugger, sonder eller pizzaovnen i vann eller andre væsker.
- For å unngå elektrisk støt, ikke spray væske inne i pizzaovnen.
- Bruk pizzaovnen kun på en plan, varmebestandig overflate.
- Bruk varmebestandige hansker når du betjener pizzaovnen.

FORHOLDSREGLER

- Når du kobler til pizzaovnen, sørg for at spenningen tilsvarer merkingen på pizzaovnen.
- Ikke overskrid strømstyrken på den elektriske stikkkontakten.
- Ikke bruk pizzaovnen i noe kjøretøy eller i noe lager- eller lasteområde på et kjøretøy. Dette inkluderer, men er ikke begrenset til, biler, lastebiler, stasjonsvogner, minibusser, SUV-er, mobile hjem, campingvogner og båter.
- Under installasjonen: Ikke plasser pizzaovnen på overflater eller nær vegger, skillevegger eller kjøkkenmøbler med mindre de er laget av ikke-brennbart materiale eller kledd med ikke-brennbart varmeisolerende materiale, og vær oppmerksom på brannforebyggingsregler.
- Ikke bruk pizzaovnen med døren i mer enn 2 timer for å unngå overoppheting av ovnen.
- IKKE bruk stenen over åpen flamme.
- Unngå ekstreme temperatursvingninger på stenen. IKKE plasser frosne matvarer på en varm stein.
- Stenen er skjør og kan brette hvis den blir støtt eller droppet.
- Stenen er veldig varm under bruk og forblir varm lenge etter bruk.
- IKKE kjøl stenen med vann når stenen er varm.
- Etter rengjøring av stenen med vann, tørk stenen før bruk. Dette kan gjøres i en vanlig ovn på 60°C i 2 timer.
- Oppbevar pizza stenen på et tørt og varmt sted.
- Pizza stenen anses som en slitedel og er ikke dekket av garantien.
- La pizzaovnen kjøle seg ned før den flyttes, rengjøres eller lagres.
- Pizzaovnens dør må ikke brukes nær brennbare materialer under matlaging. (Petroleumbaserte produkter, tynner eller andre faste gjenstander som har et advarselsskilt for brennbarhet.)
- Dekk til pizzaovnen kun når den er avkjølt.

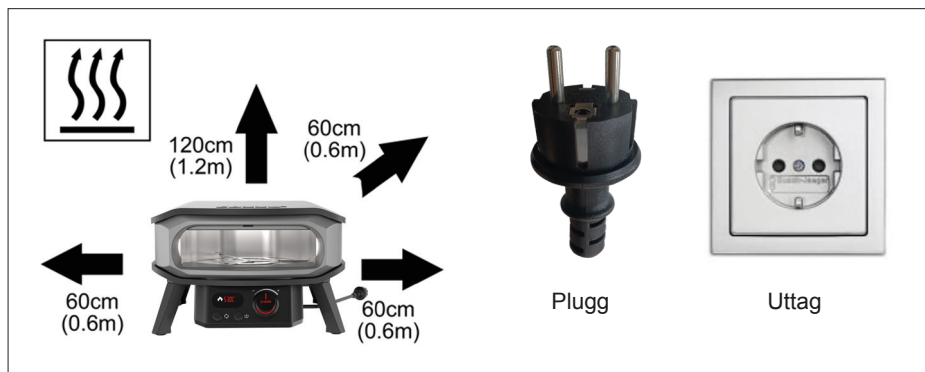
1.2 Installation och montering

VARNING

- Denna modell av pizzaugn är endast avsedd för fristående användning på en plan yta.
- Läs följande instruktioner noggrant och se till att din pizzaugn är korrekt installerad, monterad och underhållen. Att inte följa dessa instruktioner kan resultera i allvarlig kroppsskada och/eller egendomsskada

FÖRSIKTIGHET

- För att minimera risken för egendomsskador och/eller personskador, använd inte förlängningsladd om den inte uppfyller de specifikationer som anges i denna bruksanvisning.
- Om det är nödvändigt att använda en förlängningsladd måste den vara ansluten till ett jordat uttag. Använd endast en kabel på 14 gauge med ett jordat stickpropp, lämplig för användning med pizzaugnen. Maximal längd för förlängningsladden är 4 meter.
- Håll förlängningsladden så kort som möjligt. Kontrollera förlängningsladden före användning och byt ut den om den är skadad.
- Se till att sladden inte innebär en snubbelrisk.
- Håll anslutningarna torra.
- Pizzaugndörren är en mobil dörr för din pizzaugn. Att använda denna pizzaugndörr under uppvärmning kan förkorta uppvärmningstiden med 20-30%.
- Pizzaugndörren måste hållas borta från brandfarliga material under användning.
- Pizzaugndörren får inte placeras på någon brandfarlig yta förrän den har svalnat.
- Placera inte pizzaugndörren ovanpå pizzaugnen under tillagning.
- Lämna inte några farliga föremål som tändare eller tändvätska bredvid pizzaugndörren.
- Pizzaugndörren avger värme i alla riktningar efter användning.
- Följ alla lokala lagar och regler när du använder denna pizzaugn.
- Om du har några frågor om montering eller användning, kontakta din återförsäljare.
- Rekommenderas att använda skyddshandskar vid hantering av särskilt heta komponenter.
- De delar som är förseglade av tillverkaren eller hans agent får inte manipuleras av användaren.
- NOTERA FÖR KONSUMENTEN: Behåll denna manual för framtida referens.



2. Produktfunktioner



A: En LED-skärm fungerar som en digital termometer som visar ugnens temperatur tills den inställda temperaturen uppnås.

B: Reglageknappen är lätt att använda. Tryck för att slå på eller av enheten. Vrid medurs för att höja den önskade temperaturen eller vrid moturs för att sänka den önskade temperaturen. Tryck på knappen i tre sekunder för att växla mellan °F eller °C.

C: Knappen för roterande motor styr öppning och stängning av det roterande stativet.

D: Huvudströmbrytaren styr på- och av-knappen för pizzaugnen.

E: Pizzaugndörren används både när du förvärmer ugnen och under bakning av pizzan.



VARNING
HÖG TEMPERATUR

FÖRSIKTIGHET!
RÖR INTE VID KROPPEN, TOPPANELEN
ELLER VÄRMETRÄDEN UNDER
ANVÄNDNING. TILLGÅNGLIGA DELAR
KAN VARA MYCKET HETA.

FÖRBEREDELSE FÖR ANVÄNDNING

Följ dessa instruktioner noggrant för att undvika allvarliga skador på din pizzaugn och för att undvika skador på dig själv och på egendom.

1. Montera pizzaugnen och pizzaugndörren genom att noggrant följa monteringsinstruktionerna.
2. Anslut pizzaugnen till ett strömuttag som är avstängt, tryck på huvudströmbrytaren (D) för att slå på pizzaugnen, tryck på reglageknappen för att starta displayen, displayen visar ugnens temperatur. Tryck på knappen (C) för att starta rotationsfunktionen.
3. Kom ihåg att koppla ur strömsladden efter användning.

FUNKTIONSKNAPPAR

- Tryck på knappen för att aktivera strömmen och visa temperaturen.
- Vrid medurs för att höja den önskade temperaturen eller vrid moturs för att sänka den önskade temperaturen.
- Tryck på knappen i tre sekunder för att växla mellan °F eller °C.
- Temperaturinställning: När du har vridit reglaget för att ställa in önskad temperatur, släpp reglaget och displayen kommer att blinka 3 gånger för att bekräfta den inställda temperaturen. Pizzaugnen börjar nu värmas upp tills den når den inställda temperaturen. Displayen visar framsteg från aktuell temperatur tills den når den inställda temperaturen.
- Observera att temperaturen som visas på displayen är den inställda temperaturen, och när maten placeras på ytan kommer tillagningsytans temperatur att sjunka eftersom maten är kall. Displayen visar fortfarande den inställda temperaturen och värms upp tills den når den.
- Tryck på knappen för att stänga av.
- Koppla ur strömsladden från uttaget när ugnen inte används.

AMBIENTA FÖRHÅLLANDEN

- Användning av ugnen i ett kallare klimat eller på högre höjd kommer att förlänga tillagningstiden.
- Långvarig vind kommer att sänka pizzaugnen inre temperatur.
- Tillagningsytor är lätt utbytbara.

3. Förvaring

- Låt alltid pizzaugnen svalna innan du förvarar den.
- Koppla alltid bort strömsladden genom att dra ut kontakten. Dra inte i sladden.
- Täck endast pizzaugnen när den har svalnat.
- Förvara alltid den täckta pizzaugnen på en varm och torr plats.

4. Rengöring och underhåll

FÖRSIKTIGHET: All rengöring och underhåll ska utföras när pizzaugnen är kall och strömsladden är urkopplad. "Bränna av" pizzaugnen efter varje användning (i ca 15 minuter) för att hålla matrester på ett minimum. Det rekommenderas att rengöra och underhålla pizzaugnen minst en gång i månaden för att förlänga livslängden på pizzaugnen och minska risken för problem.

5. Rengöring

- Låt pizzaugnen svalna innan du rengör den.
- Använd inte något högtryckstvätt eller vattenstråle för att rengöra pizzaugnen.

YTTERYTA

- Använd mildt rengöringsmedel eller bakpulver och en lösning med varmt vatten. Icke-slipande skurpulver kan användas för envisa fläckar, skölj sedan med vatten.

PLASTYTOR

- Tvätta med en mjuk trasa och en lösning av varmt tvålsvatten. Skölj med vatten. Använd inte slipande rengöringsmedel, avfettningsmedel eller koncentrerade grillrengöringsmedel på plastdelar.

PIZZASTEN

- Använd COZZE trådborste för att borsta bort rester efter "bränning". Om det behövs kan den kalla stenen sköljas med vatten. Se till att stenen är helt torr innan nästa användning.

6. Retur av enheten för reparation, service och garanti

- Modifiera inte pizzaugnen. Detta kan göra pizzaugnen osäker. Alla modifieringar ogiltigförklarar garantin.
- Om du inte kan åtgärda något fel genom att följa dessa instruktioner, kontakta din lokala återförsäljare för råd, inspektion eller reparationsinstruktioner.
- Vänligen behåll all betalningsbevis och installationscertifikat för garantisyfte. Om dessa inte kan tillhandahållas kommer alla garantier att anses ogiltiga.

7. Baka den perfekta pizzen med din Cozze-pizzaugn

Förvärm din Cozze-pizzaugn till cirka 400°C. Den höga temperaturen är hemligheten bakom perfekt pizza!

Så här använder du din pizzaugn:

1. Förvärm ordentligt:

- Anslut ugnen och förvärm i minst 20 minuter för att säkerställa att stenen når 400°C. (Använd en Cozze infraröd termometer för precision.)

2. Baka din pizza:

- Placera din pizza på den heta, roterande stenen med hjälp av en paddle.
- Sänk temperaturen under bakningen för att hålla degen krispig utan att bränna den.

3. Mellan pizzorna:

- För ytterligare pizzor, höj temperaturen till max i 5 minuter för att värma upp stenen igen, och upprepa sedan processen.

4. Servera och njut:

- Ta bort pizzen, låt den svalna något, skär den och njut.

Med Cozze blir varje pizzakväll ett mästerverk. Smaklig måltid!

8. Allmän Cozze-garanti

Cozze erbjuder en 2-årig garanti på alla produkter.

Den ovanstående garantin omfattas av följande:

- Cozze-produkten används enligt instruktionerna i bruksanvisningen.
- Cozze-produkten har inte modifierats.
- Cozze-produkten är korrekt monterad enligt föreskrifterna.
- Cozze-produkten är underhållen och rengjord regelbundet enligt bruksanvisningen.
- Förvara Cozze-produkten täckt med ett skydd när den inte används.
- Cozze vinterförvaring: Alla trädelar, pizzastenar och tillbehör för Cozze måste förvaras inomhus under vintern.
- Cozze-produkten är, där det är tillämpligt, ansluten till rätt typ av gas eller elektricitet.
- Cozze-produkten är placerad på en plan och säker yta.
- Cozze-produkten är inte utrustad med icke-original Cozze-dela.
- Cozze-produkten ska inte förvaras som en solid komponent nära havet, klorerade simbassänger eller bubbelpooler.
- Cozze-produkten används endast för privat bruk.

Garantin täcker inte.

Cozze-produkter som är defekta, skadade eller på annat sätt försämrade till följd av:

- Förväntat slitage vid normal användning
- Vandalism
- Ovanligt väder som hagel, stormväder, tornados, tsunamis, jordbävningar eller kraftiga stormar.
- Andra omgivningar som surt regn, klor/salt i luften och andra miljöförhållanden.

RAFMAGNPIZZAOFN

IS - Notendahandbók

Lestu og fylgdu þessum yfirlýsingum til að tryggja öryggi og koma í veg fyrir eignatjón. **VARÚÐ:** Bendir á hættulegt ástand sem, ef ekki er forðast, gæti leitt til lífils eða meðalmikils meiðsla.

VÖRNUMÁL: Bendir á hættulegt ástand sem, ef ekki er forðast, gæti leitt til dauða eða alvarlegra meiðsla.

HÆTTA: Bendir á hættulegt ástand sem, ef ekki er forðast, mun leiða til dauða eða alvarlegra meiðsla.

VÖRNUMÁL!

Lestu þessa leiðbeiningar vandlega og tryggðu að pizzaofninn þinn sé rétt uppsettur, samanbrjótinn, viðhaldinn og þjónustaður í samræmi við þessar leiðbeiningar. Ef þessar leiðbeiningar eru ekki fylgt, getur það leitt til alvarlegra líkamsmeiðsla og/eða eignatjóns.

Ef þú hefur einhverjar spurningar varðandi samanbragð eða notkun þessa pizzaofns, vinsamlegast ráðfærðu þig við söluaðila þinn.

Athugasemdir við notandann:

ÞESSA PIZZAOFN ER AÐEINS FYRIR HÚSEIGENDANOTKUN. LESTU LEIÐBEININGARNAR ÁÐUR EN ÞÚ NOTAR TÆKIÐ.

VÖRNUMÁL: AÐGENGILEGAR HLUTIR GETA VERIÐ MJÖG HEITIR, HALDÐU UNGUM BÖRNUM FJÖLLUÐUM FRÁ.

EKIÐ FLYTJA TÆKIÐ ÁÐUR EN MATURINN ER BÚINN AÐ MATUR. GÆTU MANUALINN FYRIR FRAMTÍÐARVIÐVIÐ. MYNDIR ERU TIL VIÐMIÐUNAR EINS.

RAFMAGNPIZZAOFN			
90446 (13 INCH)		90448 (17 INCH)	
220-240 V~ 50-60 Hz	2200 W	220-240 V~ 50-60 Hz	2200 W
IPX4	Net weight: 21.8 kg	IPX4	Net weight: 26.4 kg
Millarco International A/S Rokhøj 26, 8520 Lystrup, Denmark www.millarco.com www.cozzebbq.com millarco@millarco.com			



Ekki henda rafmagnstækjum sem óflokkuðu sveitarfélagssorp, notaðu sérstakar söfnunaraðstöðu. Hafðu samband við sveitarfélagið þitt fyrir upplýsingar um söfnunarkerfi sem eru í boði. Ef rafmagnstæki eru hent á urðunarstaði eða ruslahaugum, geta hættuleg efni lekað út í grunnvatnið og komist í fæðukeðjuna, sem skemmir heilsu þína og velferð.

1.1 Útfærsla

HÆTTA

- Notaðu pizzaofninn á vel loftræstu svæði.
- Ekki nota kol, brikett, vökvaeldsneyti eða hraunstein í pizzaofninum.

VÖRNUMÁL

- Notaðu aðeins eins og lýst er í þessari notendahandbók. Ranga notkun getur valdið eldi, rafstraumi eða meiðslum.
- Þessi pizzaofn ætti aðeins að vera tengdur við jörðuð sambandsstaura.
- Þessi pizzaofn ætti að vera knúinn með viðnámsstraumrofi (RCD) sem hefur nafnleika sem ekki fer yfir 30 mA.
- Ekki nota pizzaofninn ef rafmagnstengillinn er skemmdur.
- Ef straumskafið er skemmt, verður það að vera skipt út af framleiðanda, þjónustuaðila eða sambærilega hæfum aðilum til að forðast hættu.
- Taktu alltaf úr með því að draga úr tönginni. Ekki draga í snúruna.
- Ekki nota pizzaofninn innan 3 m frá hvaða vatni sem er, eins og sundlaug eða tjörn.
- Ekki nota pizzaofninn innan 60 cm frá brennanlegu efni. Lágmarksöruggar fjarlægðir eru: Ofan pizzaofnsins 1,2 m. Aftan og á hliðum 60 cm (sjá mynd).
- Hafðu eldunarflötinn lausan við brennanlega dampi og vökva, eins og bensín, áfengi o.s.frv., og brennanlega/eldfima efni.
- Ef fitureldur á sér stað, lokaðu lokinu, slökktu á rafmagnsknappanum, taktu pizzaofninn úr tenglinum og haltu lokinu lokaðu þar til eldurinn slökknar. Ekki nota vökva til að slökkva á eldinum.
- Aðgengilegar partar geta verið mjög heitir. Haltu ungum börnum og dýrum fjarri.
- VÖRNUMÁL: Pizzaofninn og aðgengilegar hlutir hans verða heitir við notkun. Varkárni skal gætt við að forðast að snerta upphitunarefni.
- Þessi pizzaofn getur verið notaður af börnum frá 8 ára og eldri og einstaklingum með minnkaða líkamlega, skynræna eða andlega hæfileika eða skorti á reynslu og þekkingu ef þeim hefur verið veitt eftirlit eða fyrirmæli varðandi notkun pizzaofnsins á öruggan hátt og skilja þá hættur sem eru til staðar. Börn skulu ekki leika með pizzaofninn. Hreinsun og notendaviðhald skal ekki gert af börnum án eftirlits.
- Börn yngri en 8 ára skulu vera haldin fjarri, nema við stöðugt eftirlit.
- Notkun á áfengi, lyfjum, lyfseðilsskyldum lyfjum, ólyfseðilsskyldum lyfjum eða ólöglegum lyfjum getur skert hæfni neytandans til að safna saman, færa, geyma eða stjórna pizzaofninum á réttan og öruggan hátt.
- Leiðbeiningar varðandi einstaklinga (þar með talin börn) með minnkaða líkamlega, skynræna eða andlega hæfileika, eða skorti á reynslu og þekkingu, gilda ekki.
- Ekki skilja pizzaofninn eftir óeftirlitinn við upphitun eða notkun. Varkárni skal gætt við notkun þessa pizzaofns.
- Ekki færa pizzaofninn meðan hann er í notkun.
- Hafðu rafmagnssnúru fjarri heitu yfirborði. Fylgdu leiðbeiningum um snúru meðhöndlun.
- Leggðu rafmagnssnúruna fjarri umferðarsvæðum. Skipuleggðu snúruna þannig að hún verði ekki dregin eða snúid á hana.
- Ekki nota pizzaofninn ef hann er fallinn eða virkar á einhvern hátt.
- Kol eða önnur brennanleg eldsneyti má ekki nota með þessum pizzaofni.
- Pizzaofninn á að tengjast við sambandsstaura með jörðuðum tengi.

- Straumskaffið ætti að vera reglulega skoðað fyrir merki um skemmdir og pizzaofninn á ekki að vera notaður ef snúran er skemmd.
- Til að vernda gegn rafstraumi, ekki dýfa snúrunni, tångum, próbum eða pizzaofninum í vatn eða aðra vökva.
- Til að koma í veg fyrir rafstraum, ekki sprauta vökva inn í pizzaofninn.
- Notaðu pizzaofninn aðeins á sléttu, hitameðferðarfærnu yfirborði.
- Notaðu hitameðferðartvöfúfur við notkun pizzaofnsins.

VARÚÐ

- Þegar þú tengir þessa pizzaofn við rafmagn, tryggðu að spennan sem þú tengir við sé í samræmi við spennumælinguna sem merkt er á einkennislímingu pizzaofnsins.
- Ekki fara yfir aflþol rafmagnstengilsins.
- Ekki nota pizzaofninn í neinu ökutæki eða í neinu geymslu- eða flutningarsvæði ökutækis. Þetta felur í sér, en er ekki takmarkað við, bíla, vörubíla, fjölskyldubíla, minibíla, íþróttabifreiðar, húsbíl, húsbíla og báta.
- Við uppsetningu: Ekki leggja á fleti eða nálægt veggjum, skilríðum, eldhúsméðmálum og því um líkt – nema þau séu úr óbrennanlegu efni eða klædd með óbrennanlegu hitameðferðarefni, og gættu að eldvarnarreglum.
- Ekki nota pizzaofninn með ofninum í meira en 2 tíma til að koma í veg fyrir ofhitun á ofninum.
- EKKI nota steininn yfir opinni eldi.
- Forðastu miklar hitastigsbreytingar á steininum. EKKI leggja frystan mat á heitan stein.
- Steininn er viðkvæmur og getur brotnað ef hann er rekinn á eða fallinn.
- Steininn verður mjög heitur við notkun og helst heitur í langan tíma eftir notkun.
- EKKI kæla steininn með vatni þegar steininn er heitur.
- Eftir að hafa hreinsað steininn með vatni, vinsamlegast þurrkaðu steininn áður en þú notar hann. Þetta má gera í hefðbundnum ofni við 60°C (140°F) í 2 tíma.
- Geymdu pizza steininn á þurrum og heitum stað.
- Pizza steininn er talinn slitin partur og er ekki á ábyrgð ábyrgðarinnar.
- Leyfðu pizzaofninum að kólna áður en þú flytur hann, hreinsar hann eða geymir hann.
- Pizzaofnshurðin má ekki vera notuð nálægt brennanlegu efni við matargerð. (Vörur byggðar á olíu, þynni eða öðrum föstum hlutum sem bera merki um brennanleika.)
- Lokaðu pizzaofninum aðeins þegar hann er kaldur.

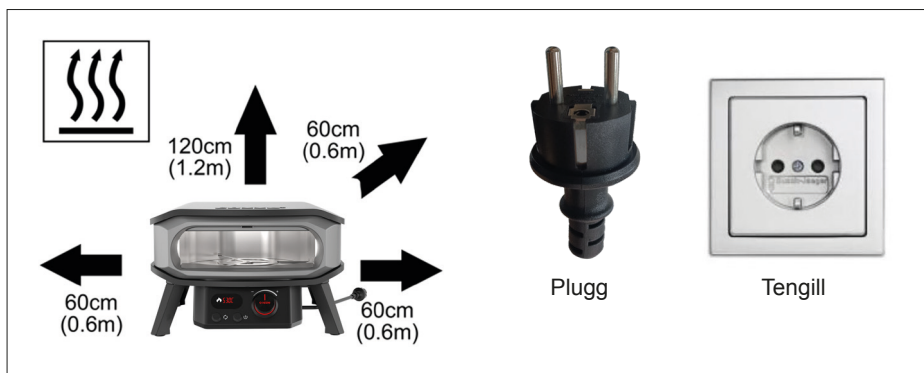
1.2 Uppsetning og samanbrögð

VÖRNUMÁL

- Þessi tegund af pizzaofni er aðeins ætluð til notkunar sem frjálst tæki á sléttu yfirborði.
- Lestu eftirfarandi leiðbeiningar vandlega og tryggðu að pizzaofninn þinn sé rétt uppsettur, samanbrjóttinn og viðhaldið. Ef þessar leiðbeiningar eru ekki fylgt, getur það leitt til alvarlegra líkamsmeiðsla og/eða eignatjóns.

VARÚÐ

- Til að lágmarka hættu á eignatjóni og/eða líkamsmeiðslum, ekki nota fyrirbæri sem tengist við útrásarsnúru nema hún sé í samræmi við forskriftir sem eru á þessari notendahandbók.
- Ef það er nauðsynlegt að nota útrásarsnúru, þarf hún að vera tengd við jörðuð tengil. Notaðu aðeins 14-gaugesnúruna með jörðunarplugg og sem hentar við pizzaofninn. Hámarks lengd fyrir útrásarsnúruna er 4 metrar. Hálta útrásarsnúruna eins stutta og hægt er. Skoðaðu útrásarsnúruna áður en hún er notuð og skiptu henni út ef hún er skemmd.
- Tryggðu að snúran sé ekki hættuleg og valdi ekki slyshættu.
- Hafðu tengingarnar þurrar.
- Pizzaofnshurðin er hreyfanleg hurð fyrir pizzaofninn. Notkun þessarar pizzaofnshurðar við hitun getur stýtt hitunartímann um 20–30%.
- Pizzaofnshurðin skal vera haldin fjarri brennanlegu efni við notkun.
- Pizzaofnshurðin skal ekki vera lögð á neitt brennanlegt yfirborð þar til hún er köld.
- Ekki leggja pizzaofnshurðina á efsta hluta pizzaofnsins meðan á eldun stendur.
- EKKI skilja neina hættulega hluti, eins og kveikjara eða eldsneytisvökva, við pizzaofnshurðina. Raunar geislar pizzaofnshurðin hita til allra áttanna eftir notkun.
- Fylgdu öllum lögum og reglugerðum á staðnum þegar þú notar pizzaofninn.
- Ef þú hefur einhverjar spurningar varðandi samanbrögð eða notkun, ráðfærðu þig við söluaðila þinn.
- Mælt er með að nota varnarhanska við meðhöndlun sérstakra heitra hluta.
- Hlutar sem eru innsiglaðir af framleiðanda eða umboðsmanni hans mega ekki vera meðhöndlaðir af notanda.
- ATHUGASEMD FYRIR NEYTANDA: Geymdu þessa handbók til framtíðarviðmiðunar.



2. Vörueiginleikar



A: LED skjár virkar sem rafrænn hitamælir sem sýnir hitastig ofnins þar til sett hitastig er náð. Þetta tryggir nákvæma og rétta hitastigslesingu á pizzaofninum þínum.

B: Stýrisnúran er auðveld í notkun. Ýttu á hana til að kveikja eða slökkva á tækinu. Snúðu í átt með klukku til að auka óskað hitastig eða snúðu gegn með klukku til að minnka óskað hitastig. Ýttu á snúru í þrjár sekúndur til að skipta á milli °F eða °C.

C: Hnappurinn fyrir snúningsvél stjórnar opnun og lokun snúningsstangarinnar.

D: Aðalafhnappurinn stjórnar á/af slökktum á pizzaofninum.

E: Pizzaofnshurðin er notuð bæði við upphitun ofnsins og við bakstur á pizzunni.



VÖRNUMÁL
HÁTEMPERATÚRA

VARÚÐ!

EKKI SNERTA LÍKAMA, EFSTU PANELA
EÐA HITAVIÐURÞYTTIÁRÁÐIÐ Á
NOTKUNARTÍMA. AÐGENGILEGIR
HLUTIR MOGU VERA MIKIÐ HEITIR.

UNDIRBÚNINGUR FYRIR NOTKUN

Fylgdu þessum leiðbeiningum vandlega til að forðast alvarlega skemmdir á pítsuofninum og að valda meiðslum á þér og eignum.

1. Settu saman pítsuofninn og pítsuofnshurðina með því að fylgja samanbræðsluleiðbeiningunum vandlega.
2. Tengdu pítsuofninn við rafmagnsútgang sem er slökkt, ýttu á aðalafleggilinn (D) til að kveikja á pítsuofninum, ýttu á stjórnhnapan til að láta skjáinn byrja að virka, og skjárinn mun sýna hitastig ofnkammsins. Ýttu á takkann (C) til að hefja snúningsvirkni.
3. Mundu að draga út rafmagnstengilinn eftir notkun.

FUNKIONAR Á STJÓRNТАKКАNUM

- Ýttu á hnapan til að fara í stöðu með afl og sýna hitastig
- Snúðu réttshælis til að auka æskilegt hitastig eða snúðu vinstra til að lækka æskilegt hitastig.
- Ýttu á hnapan í þrjár sekúndur til að skipta á milli °F og °C.
- Hitastigstilltur: Þegar þú hefur snúið stjórnhnapanum til að stilla æskilegt hitastig, slepptu hnapanum og skjárinn mun blikka 3 sinnum til að staðfesta stillt hitastig. Pítsuofninn mun nú byrja að hita þar til hann nær stilltu hitastigi. Skjárinn mun sýna framvindu frá núverandi hitastigi þar til hann nær stillta hitastiginu. Athugaðu að hitastig sem sýnt er á skjánum er það hitastig sem þú valdir, en þegar matur er settur á eldunarflötinn mun hitastig hans lækka vegna þess að maturinn er kaldur. Skjárinn mun samt sýna það hitastig sem þú stillt og mun hita upp þar til það nær stillta hitastigi.
- Ýttu á hnapan til að slökkva á ofninum.
- Taktu út rafmagnstengilinn úr rafmagnsútgangi þegar ofninn er ekki í notkun.

UMHVERFISÁSTÆÐUR

- Notkun ofns í kaldara loftslagi eða á hærri hæð mun lengja eldunartíma þinn.
- Langvarandi vindur mun lækka innri hitastig pítsuofnsins.
- Eldunarflötur er auðvelt að skipta út.

3. Geymsla

- Leyfðu alltaf pítsuofninum að kólna áður en þú geymir hann.
- Taktu alltaf rafmagnstengilinn úr útgangi með því að draga hann út. Taktu ekki í snúru.
- Fela pítsuofninn aðeins þegar hann er orðinn kaldur.
- Geymdu alltaf pítsuofninn með hulstri á hlýjum og þurrum stað.

4. Hreinsun og umhirða

VARVAR: All hreinsun og viðhald ætti að fara fram þegar pítsuofninn er kaldur og rafmagnstengillinn er frá tengd. „Brenna af“ pítsuofninum eftir hverja notkun (í um það bil 15 mínútur) mun halda matarleifum í lágmarki. Mælt er með að hreinsa og viðhalda pítsuofninum að minnsta kosti einu sinni í mánuði til að framlengja líftíma pítsuofnsins og minnka möguleika á vandamálum.

5. Hreinsun

- Leyfðu pítsuofninum að kólna áður en þú hreinsar hann.
- Notaðu ekki neina háþrýstiloft eða vatnsúðara til að hreinsa pítsuofninn.

YTRA YFIRFLÖTUR

- Notaðu mildan sápu eða matarsóða og heita vatnslausn. Hreinsimjöl sem ekki er rifandi getur verið notað á þrjótar bletti, skolið síðan með vatni.

PLASTYFIRFLÖTUR

- Vaskaðu með mjúku klút og heitu sápuvatnslausn. Skolið með vatni. Notaðu ekki rifandi hreinsiefni, fituþvott eða einangraðan grillhreinsara á plasthlutum.

PÍTSUSTEIN

- Notaðu COZZE vírbursta til að bursta af eftir „brenna af“. Ef þörf krefur getur kalt steinn verið skolaður með vatni. Gakktu úr skugga um að steinninn sé algerlega þurr áður en hann er notaður aftur.

6. Að skila tækinu til viðgerðar, þjónustu og ábyrgðar

- Ekki breyta pítsuofninum. Þetta getur valdið því að pítsuofninn verði óruggur. Allar breytingar munu gera ábyrgðina ógilda.
- Ef þú getur ekki lagað einhverjar bilanir með því að fylgja þessum leiðbeiningum, hafðu samband við staðbundinn dreifingaraðila fyrir ráðleggingar, skoðun eða viðgerðarleiðbeiningar.
- Vinsamlegast varðveittu allar greiðsluvottorð og uppsetningarskírteini fyrir ábyrgðarmál. Ef þessi gögn eru ekki til staðar mun ábyrgðin teljast ógild.

7. Baka fullkomna pítsu með Cozze pítsuofninum þínum

Forhitnaðu Cozze pítsuofninn þinn í um það bil 400°C. Hár hitinn er leyndarmál fullkominnar pítsu!

Hvernig á að nota pítsuofninn þinn:

1. Forhitnaðu vel:

- engdu ofninn við og forhitnaðu í að minnsta kosti 20 mínútur til að tryggja að steinninn nái 400°C (notaðu Cozze innrauðan hitamæli fyrir nákvæmni).

2. Bakaðu pítsuna:

- Settu pítsuna á heita, snúningssteinninn með spaða.
- Lækkaðu hitastigið í lágmark meðan á bakstri stendur til að halda skorpunni stökkri án þess að brenna hana.

3. Milli pítsubakstra:

- Fyrir fleiri pítsur skaltu hækka hitann í hámark í 5 mínútur til að hita steinninn aftur, og endurtaktu svo ferlið.

4. Berðu fram og njóttu:

- Taktu pítsuna út, leyfðu henni að kólna aðeins, skerðu hana niður og njóttu.

Með Cozze verður hver pítsukvöldstund listaverk. Verði þér að góðu!

8. Almenn Cozze ábyrgð

Cozze veitir 2 ára ábyrgð á öllum vörum
Ofangreind ábyrgð er háð eftirfarandi skilmálum:

- Cozze varan er notuð samkvæmt leiðbeiningum í notendahandbók.
- Cozze varan er ekki breytt.
- Cozze varan er rétt sett saman samkvæmt reglum.
- Cozze varan er viðhaldið og reglulega hreinsuð samkvæmt notendahandbók.
- Geymið Cozze vöruna með hlíf þegar hún er ekki í notkun.
- Cozze vetrargeymsla: Öllum viðarhlutum, pítsusteinum og fylgihlutum fyrir Cozze skal geyma innandyra yfir veturinn.
- Cozze varan er, þar sem það á við, tengd við réttan gas- eða rafmagnsbúnað.
- Cozze varan er staðsett á flötu og öruggu yfirborði.
- Cozze varan er ekki búin hlutum sem eru ekki upprunalegir frá Cozze.
- Cozze varan ætti ekki að vera geymd sem heild nálægt sjó, klórvötnum eða heitum pottum.
- Cozze varan er aðeins notuð til einkanota.

Ábyrgðin nær ekki yfir:

Cozze vörur sem eru gallaðar, skemmdar eða á annan hátt skertar vegna:

- Eðlilegt slit og aldur við venjulega notkun
- Skemmdarverk
- Óvenjulegt veður eins og hagl, stormviðri, hvirfilbyljur, sjávarbylgjur, jarðskjálftar eða miklir stormar.
- Aðrar aðstæður eins og súrregn, klór/salt í loftinu og önnur umhverfisskilyrði.

ELEKTRYCZNY PIEKARNIK DO PIZZY

PL - Instrukcja obsługi

Przeczytaj i postępuj zgodnie z tymi instrukcjami, aby zapewnić bezpieczeństwo i zapobiec uszkodzeniu mienia.

OSTRZEŻENIE: Wskazuje na sytuację niebezpieczną, która, jeśli nie zostanie uniknięta, może prowadzić do drobnych lub umiarkowanych obrażeń.

UWAGA: Wskazuje na sytuację niebezpieczną, która, jeśli nie zostanie uniknięta, może prowadzić do śmierci lub poważnych obrażeń.

NIEBEZPIECZYSTWO: Wskazuje na sytuację niebezpieczną, która, jeśli nie zostanie uniknięta, doprowadzi do śmierci lub poważnych obrażeń.

OSTRZEŻENIE!

Przeczytaj uważnie tę instrukcję i upewnij się, że twój piekarnik do pizzy jest odpowiednio zainstalowany, zmontowany, konserwowany i serwisowany zgodnie z tymi instrukcjami. Niezastosowanie się do tych instrukcji może prowadzić do poważnych obrażeń ciała i/lub uszkodzenia mienia.

Jeśli masz jakiegokolwiek pytania dotyczące montażu lub obsługi tego piekarnika do pizzy, skonsultuj się ze swoim dealarem.

Uwagi dla użytkownika:

TEN PIEKARNIK DO PIZZY JEST PRZEZNACZONY TYLKO DO UŻYTKU DOMOWEGO. PRZECZYTAJ INSTRUKCJĘ PRZED UŻYCIEM URZĄDZENIA.

OSTRZEŻENIE: DOSTĘPNE CZĘŚCI MOGĄ BYĆ BARDZO GORĄCE, TRZYMAJ DZIECI Z DALA.

NIE PRZEMIESZCZAJ URZĄDZENIA PODCZAS GOTOWANIA. ZACHOWAJ INSTRUKCJĘ DO PRZYSZŁEGO UŻYTKU. RYSUNKI SŁUŻĄ TYLKO JAKO ODWOŁANIE.

ELEKTRYCZNY PIEKARNIK DO PIZZY			
90446 (13 INCH)		90448 (17 INCH)	
220-240 V~ 50-60 Hz	2200 W	220-240 V~ 50-60 Hz	2200 W
IPX4	Net weight: 21.8 kg	IPX4	Net weight: 26.4 kg
Millarco International A/S Rokhøj 26, 8520 Lystrup, Denmark www.millarco.com www.cozebbq.com millarco@millarco.com			



Nie wyrzucaj urządzenia elektrycznego jako niesortowane odpady komunalne, używaj oddzielnych punktów zbiórki. Skontaktuj się z lokalnymi władzami w celu uzyskania informacji na temat dostępnych systemów zbiórki. Jeśli urządzenia elektryczne zostaną wyrzucone na wysypiska lub składowiska, substancje niebezpieczne mogą przedostać się do wód gruntowych i trafić do łańcucha pokarmowego, szkodząc zdrowiu i samopoczuciu.

1.1 Obsługa

NIEBEZPIECZEŃSTWO

- Używaj piekarnika do pizzy w dobrze wentylowanym miejscu.
- Nie używaj w piekarniku do pizzy węgla drzewnego, brykietów, paliwa płynnego ani kamieni.

OSTRZEŻENIE

- Używaj piekarnika do pizzy tylko w sposób opisany w niniejszej instrukcji obsługi. Niewłaściwe użycie może spowodować pożar, porażenie prądem lub obrażenia.
- Piekarnik do pizzy powinien być podłączony tylko do gniazdka uziemionego.
- Piekarnik do pizzy powinien być zasilany przez urządzenie ochrony różnicowoprądowej (RCD) o nominalnym prądzie roboczym różnicowym nieprzekraczającym 30 mA.
- Nie używaj piekarnika do pizzy, jeśli gniazdko elektryczne jest uszkodzone.
- Jeśli przewód zasilający jest uszkodzony, należy go wymienić przez producenta, jego przedstawiciela serwisowego lub osoby o odpowiednich kwalifikacjach w celu uniknięcia zagrożenia.
- Zawsze wyciągaj wtyczkę, pociągając za nią. Nie ciągnij za przewód.
- Nie używaj piekarnika do pizzy w odległości mniejszej niż 3 m od jakiegokolwiek wody, takiej jak basen czy staw.
- Nie używaj piekarnika do pizzy w odległości mniejszej niż 60 cm od materiałów łatwopalnych. Minimalne bezpieczne odległości to: nad piekarnikiem 1,2 m, z tyłu i po bokach 60 cm (patrz ilustracja).
- Utrzymuj obszar gotowania wolny od łatwopalnych par i cieczy, takich jak paliwa, alkohol itp., oraz materiałów łatwopalnych i palnych.
- Jeśli wystąpi pożar tłuszczu, zamknij pokrywę, wyłącz przycisk zasilania, wyciągnij piekarnik z gniazdka i pozostaw pokrywę zamkniętą, dopóki ogień nie zgaśnie. Nie używaj cieczy do gaszenia płomieni.
- Dostępne części mogą być bardzo gorące. Trzymaj dzieci i zwierzęta z dala.
- OSTRZEŻENIE: Piekarnik do pizzy i jego dostępne części stają się gorące podczas użytkowania. Należy zachować ostrożność, aby nie dotykać elementów grzejnych.
- Piekarnik do pizzy może być używany przez dzieci w wieku od 8 lat oraz osoby z ograniczonymi zdolnościami fizycznymi, sensorycznymi lub umysłowymi lub brakującym doświadczeniem i wiedzą, jeśli zostały one nadzorowane lub otrzymały instrukcje dotyczące bezpiecznego korzystania z piekarnika do pizzy i rozumieją związane z tym zagrożenia. Dzieci nie powinny bawić się piekarnikiem do pizzy. Czyszczenie i konserwację użytkownika powinny wykonywać dzieci tylko pod nadzorem.
- Dzieci poniżej 8. roku życia należy trzymać z dala, chyba że będą stale nadzorowane.
- Spożycie alkoholu, leków na receptę, leków bez recepty lub narkotyków może wpłynąć na zdolność konsumenta do prawidłowego i bezpiecznego montażu, przenoszenia, przechowywania lub obsługi piekarnika do pizzy.
- Instrukcje dotyczące osób (w tym dzieci) z ograniczonymi zdolnościami fizycznymi, sensorycznymi lub umysłowymi lub brakiem doświadczenia i wiedzy nie mają zastosowania.
- Nie zostawiaj piekarnika do pizzy bez nadzoru podczas wstępnego nagrzewania lub użytkowania. Zachowaj ostrożność podczas korzystania z piekarnika do pizzy.
- Nie przemieszczaj piekarnika do pizzy podczas użytkowania.
- Trzymaj przewód zasilający z dala od gorących powierzchni. Postępuj zgodnie z

instrukcjami zarządzania przewodami.

- Ustaw przewód zasilający z dala od obszarów o dużym ruchu. Ułóż przewód w taki sposób, aby nie został pociągnięty ani potknięty.
- Nie używaj piekarnika do pizzy, jeśli upadł lub działa nieprawidłowo.
- Nie używaj w piekarniku do pizzy węgla drzewnego ani innych podobnych paliw.
- Piekarnik do pizzy należy podłączyć do gniazdka z uziemieniem.
- Przewód zasilający należy regularnie sprawdzać pod kątem uszkodzeń, a piekarnik do pizzy nie powinien być używany, jeśli przewód jest uszkodzony.
- Aby chronić przed porażeniem prądem, nie zanurzać przewodu, wtyczek, sond ani piekarnika do pizzy w wodzie lub innych cieczach.
- Aby zapobiec porażeniu prądem, nie spryskuj wnętrza piekarnika do pizzy cieczą.
- Piekarnik do pizzy należy obsługiwać tylko na równej, odpornej na ciepło powierzchni.
- Używaj rękawic odpornych na ciepło podczas obsługi piekarnika do pizzy.

OSTRZEŻENIE

- Podczas podłączania piekarnika do pizzy do źródła zasilania, upewnij się, że napięcie zasilania odpowiada napięciu wskazanemu na etykiecie piekarnika.
- Nie przekraczaj mocy znamionowej gniazdka elektrycznego.
- Nie używaj piekarnika do pizzy w żadnym pojeździe ani w żadnym pomieszczeniu bagażowym lub ładunkowym pojazdu. Dotyczy to m.in. samochodów, ciężarówek, samochodów dostawczych, minivanów, pojazdów terenowych, przyczep kempingowych i łodzi.
- Podczas instalacji: nie stawiaj piekarnika na powierzchniach ani w pobliżu ścian, przegrodów lub mebli kuchennych, chyba że są one wykonane z materiału niepalnego lub pokryte materiałem niepalnym izolującym ciepło i zwróć uwagę na przepisy przeciwpożarowe.
- Nie używaj piekarnika do pizzy z zamkniętymi drzwiczkami piekarnika przez więcej niż 2 godziny, aby zapobiec przegrzaniu piekarnika.
- NIE używaj kamienia nad otwartym ogniem.
- Unikaj skrajnych zmian temperatury kamienia. NIE kładź zamrożonych produktów na gorącym kamieniu.
- Kamień jest kruchy i może pęknąć, jeśli zostanie uderzony lub upuszczony.
- Kamień jest bardzo gorący podczas używania i pozostaje gorący przez długi czas po użyciu.
- NIE chłódź kamienia wodą, gdy kamień jest gorący.
- Po umyciu kamienia wodą, proszę wysuszyć kamień przed użyciem. Można to zrobić w tradycyjnym piekarniku w temperaturze 60 °C (140°F) przez 2 godziny.
- Przechowuj kamień do pizzy w suchym i ciepłym miejscu.
- Kamień do pizzy jest uważany za część eksploatacyjną i nie jest objęty gwarancją.
- Pozwól piekarnikowi do pizzy ostygnąć przed przenoszeniem, czyszczeniem lub przechowywaniem.
- Drzwi piekarnika do pizzy nie mogą być używane w pobliżu materiałów łatwopalnych podczas gotowania. (Produkty na bazie ropy naftowej, rozcieńczalniki lub inne przedmioty stałe, które noszą etykietę ostrzegawczą o łatwopalności.)
- Zakrywaj piekarnik do pizzy tylko wtedy, gdy jest zimny.

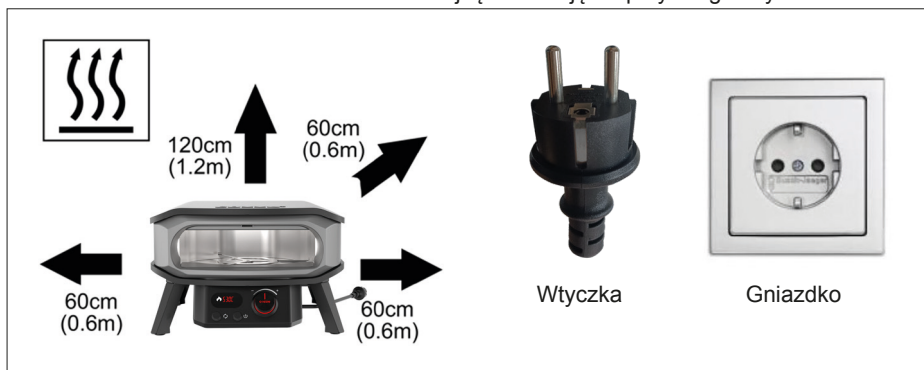
1.2 Instalacja i montaż

OSTRZEŻENIE

- Ten model piekarnika do pizzy jest przeznaczony wyłącznie do użytku wolnostojącego na równej powierzchni.
- Przeczytaj poniższą instrukcję uważnie i upewnij się, że twój piekarnik do pizzy jest odpowiednio zainstalowany, zmontowany i konserwowany. Niezastosowanie się do tych instrukcji może prowadzić do poważnych obrażeń ciała i/lub uszkodzenia mienia.

OSTRZEŻENIE

- Aby zminimalizować ryzyko uszkodzenia mienia i/lub obrażeń ciała, nie używaj przedłużacza, chyba że spełnia on specyfikacje wymienione w niniejszej instrukcji obsługi.
- Jeśli konieczne jest użycie przedłużacza, musi być on podłączony do gniazdka uziemionego. Używaj tylko kabla o przekroju 14 AWG z wtyczką uziemioną, odpowiedniego do użycia z piekarnikiem do pizzy. Maksymalna długość przedłużacza wynosi 4 metry. Trzymaj przedłużacz jak najkrótszy. Przed użyciem sprawdź przedłużacz i wymień go, jeśli jest uszkodzony.
- Upewnij się, że przewód nie stanowi zagrożenia potknięciem.
- Trzymaj połączenia suche.
- Drzwi piekarnika do pizzy są mobilnymi drzwiami do twojego piekarnika do pizzy. Używanie drzwi piekarnika podczas nagrzewania może skrócić czas nagrzewania o 20-30%.
- Drzwi piekarnika do pizzy należy trzymać z dala od materiałów łatwopalnych podczas użytkowania.
- Drzwi piekarnika do pizzy nie należy kłaść na żadnej łatwopalnej powierzchni, dopóki nie ostygną.
- Nie kładź drzwi piekarnika do pizzy na górze piekarnika podczas gotowania.
- NIE zostawiaj żadnych niebezpiecznych przedmiotów, takich jak zapalniczka lub płyn zapłonowy, obok drzwi piekarnika do pizzy. Drzwi piekarnika do pizzy po użyciu promieniują ciepłem we wszystkie strony.
- Przestrzegaj wszystkich lokalnych przepisów i regulacji podczas używania tego piekarnika do pizzy.
- Jeśli masz jakiegokolwiek pytania dotyczące montażu lub obsługi, skonsultuj się ze swoim dealerem.
- Zaleca się używanie rękawic ochronnych podczas obsługi szczególnie gorących elementów.
- Części uszczelnione przez producenta lub jego przedstawiciela nie powinny być manipulowane przez użytkownika.
- UWAGA DLA KONSUMENTA: Zachowaj tę instrukcję do przyszłego użytku.



2. Cechy produktu



A: Ekran LED działa jako cyfrowy termometr wyświetlający temperaturę w komorze piekarnika, aż do osiągnięcia ustawionej temperatury. Zapewnia to precyzyjne i dokładne odczyty temperatury w piekarniku do pizzy.

B: Pokrętko sterujące jest łatwe w użyciu. Naciśnij, aby włączyć lub wyłączyć urządzenie. Obróć w prawo, aby zwiększyć żądaną temperaturę, lub obróć w lewo, aby zmniejszyć żądaną temperaturę. Naciśnij pokrętko na trzy sekundy, aby przełączyć między °F a °C.

C: Przycisk silnika obrotowego steruje otwieraniem i zamykaniem obrotowej półki.

D: Główny przycisk zasilania steruje włączaniem i wyłączaniem piekarnika do pizzy.

E: Drzwi piekarnika do pizzy używane zarówno podczas wstępnego nagrzewania piekarnika, jak i podczas pieczenia pizzy.



OSTRZEŻENIE
WYSOKA TEMPERATURA

OSTRZEŻENIE!
NIE DOTYKAJ OBUDOWY, GÓRNEGO
PANELU ANI COIL GRZEJNIKA PODCZAS
UŻYTKOWANIA. DOSTĘPNE CZĘŚCI
MOGĄ BYĆ BARDZO GORĄCE.

PRZYGOTOWANIE DO UŻYTKU

Postępuj zgodnie z poniższymi instrukcjami, aby uniknąć poważnego uszkodzenia piekarnika do pizzy oraz zranienia siebie i uszkodzenia mienia.

1. Zmontuj piekarnik do pizzy i drzwi piekarnika do pizzy, postępując zgodnie z instrukcją montażu.
2. Podłącz piekarnik do pizzy do gniazdka, które jest wyłączone, naciśnij główny przycisk zasilania (D), aby włączyć piekarnik, naciśnij pokrętkę sterującą, aby wyświetlacz zaczął działać, a wyświetlacz pokaże temperaturę w komorze piekarnika. Naciśnij przycisk (C), aby uruchomić funkcję obrotową.
3. Pamiętaj, aby wyjąć wtyczkę z gniazdka po użyciu.

FUNKCJE PRZYCISKÓW STERUJĄCECH

- Naciśnij pokrętkę, aby wejść w tryb włączony i wyświetlić temperaturę.
- Obróć w prawo, aby zwiększyć żądaną temperaturę lub obróć w lewo, aby zmniejszyć żądaną temperaturę.
- Naciśnij pokrętkę na trzy sekundy, aby przełączyć między °F a °C.
- Ustawienie temperatury: Po ustawieniu żądanej temperatury na pokrętkę sterującą, zwolnij pokrętkę, a wyświetlacz zacznie migać 3 razy, aby potwierdzić ustawioną temperaturę. Piekarnik do pizzy zacznie się nagrzewać, aż osiągnie ustawioną temperaturę. Wyświetlacz pokaże postęp od bieżącej temperatury do ustawionej temperatury. Zauważ, że temperatura wyświetlana na ekranie to ustawiona temperatura, którą wybrałeś, ale po umieszczeniu jedzenia na powierzchni do gotowania temperatura powierzchni gotowania spadnie z powodu zimnego jedzenia. Wyświetlacz będzie nadal pokazywać ustawioną temperaturę, a piekarnik będzie się nagrzewać, aż osiągnie ustawioną temperaturę.
- Naciśnij pokrętkę, aby wyłączyć piekarnik.
- Po zakończeniu używania wyciągnij wtyczkę z gniazdka.

WARUNKI AMBIENTALNE

- Używanie piekarnika w chłodniejszym klimacie lub na wyższej wysokości wydłuży czas gotowania.
- Utrzymujący się wiatr obniży wewnętrzną temperaturę piekarnika do pizzy.
- Powierzchnie do gotowania są łatwe do wymiany.

3. Przechowywanie

- Zawsze pozwól, aby piekarnik do pizzy ostygł przed przechowywaniem.
- Zawsze wyciągaj wtyczkę, nie ciągnij za kabel.
- Zakrywaj piekarnik do pizzy tylko wtedy, gdy ostygnie.
- Zawsze przechowuj zakryty piekarnik do pizzy w ciepłym i suchym miejscu.

4. Czyszczenie i konserwacja

OSTRZEŻENIE: Wszystkie czynności czyszczenia i konserwacji należy wykonywać, gdy piekarnik do pizzy jest zimny, a wtyczka odłączona od gniazdka zasilania. "Wypalanie" piekarnika po każdym użyciu (przez około 15 minut) pomoże zminimalizować nadmiar resztek jedzenia. Zaleca się czyszczenie i konserwację piekarnika przynajmniej raz w miesiącu, aby przedłużyć jego żywotność i zmniejszyć możliwość wystąpienia problemów.

5. Czyszczenie

- Pozwól, aby piekarnik do pizzy ostygł przed rozpoczęciem czyszczenia.
- Nie używaj sprzętu do czyszczenia parą pod wysokim ciśnieniem ani strumienia wody do czyszczenia piekarnika do pizzy.

POWIERZCHNIE ZEWNĘTRZNE

- Użyj łagodnego detergentu lub roztworu sody oczyszczonej i gorącej wody. Na uporczywe plamy można użyć nieściernego proszku czyszczącego, a następnie przepłukać wodą.

POWIERZCHNIE PLASTIKOWE

- Myj miękką szmatką i roztworem gorącej wody z mydłem. Spłucz wodą. Nie używaj środków czyszczących o właściwościach ściernych, odtłuszczaczy ani skoncentrowanych środków czyszczących do grilla na częściach plastikowych.

PIECZNY KAMIEN

- Użyj szczotki drucianej COZZE, aby usunąć pozostałości po “wypalaniu”. Jeśli to konieczne, zimny kamień można przepłukać wodą. Upewnij się, że kamień jest całkowicie suchy przed kolejnym użyciem.

6. Zwracanie urządzenia do naprawy, serwisowania i gwarancji

- Nie modyfikuj piekarnika do pizzy. Może to sprawić, że piekarnik stanie się niebezpieczny. Jakiegokolwiek modyfikacje unieważnią gwarancję.
- Jeśli nie możesz usunąć żadnej usterki, postępując zgodnie z tymi instrukcjami, skontaktuj się z lokalnym dystrybutorem w celu uzyskania porady, inspekcji lub instrukcji naprawy.
- Proszę zachować wszystkie dowody zapłaty i certyfikat instalacji do celów gwarancyjnych. Jeśli nie będą one dostarczone, gwarancja zostanie uznana za nieważną.

7. Upiecz idealną pizzę w swoim piekarniku Cozze do pizzy

Podgrzej piekarnik Cozze do około 400°C. Wysoka temperatura to sekret idealnej pizzy!

Jak korzystać z piekarnika do pizzy:

1. Dokładne podgrzewanie:

- Podłącz piekarnik i podgrzewaj przez co najmniej 20 minut, aby upewnić się, że kamień osiągnie 400°C (użyj termometru na podczerwień Cozze dla precyzji).

2. Pieczenie pizzy:

- Umieść pizzę na gorącym, obrotowym kamieniu za pomocą łopaty.
- Ustaw temperaturę na niski poziom podczas pieczenia, aby utrzymać chrupiącą skórkę bez przypalania.

3. Między pizzami:

- Aby upiec kolejne pizze, podkręć temperaturę do maksimum na 5 minut, aby podgrzać kamień, a następnie powtórz proces.

4. Podawaj i ciesz się:

- Usuń pizzę, pozwól jej lekko ostygnąć, pokrój i rozkoszuj się.

Z Cozze każda noc z pizzą to arcydzieło.
Smacznego!

8. Ogólna gwarancja Cozze

Cozze oferuje 2-letnią gwarancję na wszystkie produkty.
Powyższa gwarancja podlega następującym warunkom:

- Produkt Cozze jest używany zgodnie z instrukcjami zawartymi w podręczniku użytkownika.
- Produkt Cozze nie jest modyfikowany.
- Produkt Cozze jest prawidłowo zmontowany zgodnie z przepisami.
- Produkt Cozze jest utrzymywany i regularnie czyszczony zgodnie z podręcznikiem użytkownika.
- Produkt Cozze powinien być przechowywany przykryty pokrywą, gdy nie jest używany.
- Zimowe przechowywanie Cozze: Wszystkie drewniane elementy, kamienie do pizzy i akcesoria Cozze muszą być przechowywane w pomieszczeniach zimą.
- Produkt Cozze jest, w miarę potrzeby, podłączony do odpowiedniego typu gazu lub energii elektrycznej.
- Produkt Cozze jest umieszczony na płaskiej i bezpiecznej powierzchni.
- Produkt Cozze nie jest wyposażony w części nieoryginalne Cozze.
- Produkt Cozze nie powinien być przechowywany jako stały komponent w pobliżu morza, basenów z chlorowaną wodą lub jacuzzi.
- Produkt Cozze jest używany wyłącznie do użytku prywatnego.

Gwarancja nie obejmuje produktów Cozze, które są wadliwe, uszkodzone lub w jakikolwiek sposób pogorszone w wyniku:

- Oczekiwane zużycie wynikające z normalnego użytkownika
- Wandalizm
- Niezwykłe warunki atmosferyczne, takie jak grad, burze, tornada, tsunami, trzęsienia ziemi lub silne burze
- Inne warunki otoczenia, takie jak deszcz kwasowy, chlor/sól w powietrzu i inne warunki środowiskowe.

ELEKTRISCHE PIZZAOVEN

NL - Gebruikershandleiding

Lees en volg deze opmerkingen om de veiligheid te waarborgen en schade aan eigendommen te voorkomen.

WAARSCHUWING: Geeft een gevaarlijke situatie aan die, als deze niet wordt vermeden, kan leiden tot een lichte of matige verwonding.

WAARSCHUWING: Geeft een gevaarlijke situatie aan die, als deze niet wordt vermeden, kan leiden tot de dood of ernstige verwondingen.

GEOORLOOG: Geeft een gevaarlijke situatie aan die, als deze niet wordt vermeden, zal leiden tot de dood of ernstige verwondingen.

WAARSCHUWING!

Lees deze instructie zorgvuldig door en zorg ervoor dat uw pizzaoven correct is geïnstalleerd, geassembleerd, onderhouden en gerepareerd volgens deze instructies. Het niet volgen van deze instructies kan leiden tot ernstige lichamelijke verwondingen en/of schade aan eigendommen.

Als u vragen heeft over de assemblage of werking van deze pizzaoven, raadpleeg dan uw dealer.

Opmerkingen voor de gebruiker:

DEZE PIZZAOVEN IS ALLEEN VOOR HUISHOUDELJK GEBRUIK. LEES DE INSTRUCTIES VOORDAT U HET APPARAAT GEBRUIKT.

WAARSCHUWING: TOEGANKELIJKE DELEN KUNNEN ZEER HEET ZIJN, HOUD JONGE KINDEREN OP AFSTAND.

VERPLAATS HET APPARAAT NIET TIJDENS HET KOKEN. BEWAAR DE HANDLEIDING VOOR TOEKOMSTIG GEBRUIK. TEKENINGEN ZIJN ALLEEN VOOR REFERENTIE.

ELEKTRISCHE PIZZAOVEN			
90446 (13 INCH)		90448 (17 INCH)	
220-240 V~ 50-60 Hz	2200 W	220-240 V~ 50-60 Hz	2200 W
IPX4	Net weight: 21.8 kg	IPX4	Net weight: 26.4 kg
Millarco International A/S Rokhøj 26, 8520 Lystrup, Denmark www.millarco.com www.cozzebbq.com millarco@millarco.com			



Gooi elektrische apparaten niet weg als ongesorteerd gemeentelijk afval, gebruik aparte inzamelingsfaciliteiten. Neem contact op met uw lokale overheid voor informatie over de beschikbare inzamelsystemen. Als elektrische apparaten op stortplaatsen of vuilstortplaatsen worden weggegooid, kunnen gevaarlijke stoffen in het grondwater lekken en in de voedselketen terecht komen, wat uw gezondheid en welzijn kan schaden.

1.1 Bediening

GEOORLOOG

- Gebruik de pizzaoven in een goed geventileerde ruimte.
- Gebruik geen houtskool, briketten, vloeibare brandstof of lavasteen in de pizzaoven.

WAARSCHUWING

- Gebruik de pizzaoven alleen zoals beschreven in deze gebruikershandleiding. Misbruik kan brand, elektrische schokken of verwondingen veroorzaken.
- Deze pizzaoven mag alleen op een geaarde stopcontact worden aangesloten.
- Deze pizzaoven moet via een aardlekschakelaar (RCD) worden gevoed met een nominale residuele bedrijfsstroom van niet meer dan 30 mA.
- Gebruik de pizzaoven niet als het elektrische stopcontact beschadigd is.
- Als de voedingskabel beschadigd is, moet deze worden vervangen door de fabrikant, zijn serviceagent of gelijkwaardige gekwalificeerde personen om gevaar te voorkomen.
- Trek altijd de stekker uit het stopcontact. Trek niet aan de kabel.
- Gebruik de pizzaoven niet binnen 3 m van water, zoals een zwembad of vijver.
- Gebruik de pizzaoven niet binnen 60 cm van brandbare materialen. Minimale veilige afstanden zijn: Boven de pizzaoven 1,2 m. Achter en zijkanten 60 cm (zie illustratie).
- Houd het kookgebied vrij van brandbare dampen en vloeistoffen, zoals benzine, alcohol, enz., en brandbare/materialen.
- Als er een vetbrand ontstaat, sluit het deksel, zet de aan/uit-knop uit, trek de pizzaoven uit het stopcontact en laat het deksel gesloten totdat de brand gedoofd is. Gebruik geen vloeistof om vlammen te blussen.
- Toegankelijke delen kunnen zeer heet zijn. Houd jonge kinderen en huisdieren uit de buurt.
- **WAARSCHUWING:** De pizzaoven en de toegankelijke delen worden heet tijdens gebruik. Wees voorzichtig om de verwarmingselementen niet aan te raken.
- Deze pizzaoven kan gebruikt worden door kinderen vanaf 8 jaar en ouder en personen met verminderde fysieke, zintuiglijke of mentale capaciteiten of gebrek aan ervaring en kennis, mits zij toezicht of instructies hebben ontvangen over het veilige gebruik van de pizzaoven en de risico's begrijpen. Kinderen mogen niet met de pizzaoven spelen. Reiniging en onderhoud van het apparaat mogen niet door kinderen worden uitgevoerd zonder toezicht.
- Kinderen jonger dan 8 jaar moeten uit de buurt blijven, tenzij ze continu onder toezicht staan.
- Het gebruik van alcohol, voorgeschreven medicijnen, vrij verkrijgbare medicijnen of illegale drugs kan de vaardigheid van de gebruiker om de pizzaoven correct en veilig te monteren, verplaatsen, op te slaan of te gebruiken beïnvloeden.
- De instructie over personen (inclusief kinderen) met verminderde fysieke, zintuiglijke of mentale capaciteiten, of gebrek aan ervaring en kennis is niet van toepassing.
- Laat de pizzaoven niet onbeheerd achter tijdens het voorverwarmen of gebruik. Wees voorzichtig bij het gebruik van deze pizzaoven.
- Verplaats de pizzaoven niet tijdens gebruik.
- Houd de elektrische voedingskabel uit de buurt van verhit oppervlakken. Volg de kabelbeheerinstructies.
- Plaats de stroomkabel uit de looproutes. Zorg ervoor dat de kabel niet getrokken of over gestapt wordt.

- Gebruik de pizzaoven niet als deze valt of op enige wijze niet goed functioneert.
- Houtskool of vergelijkbare brandbare brandstoffen mogen niet worden gebruikt met deze pizzaoven.
- De pizzaoven moet worden aangesloten op een stopcontact met een aardcontact.
- De voedingskabel moet regelmatig worden gecontroleerd op tekenen van schade en de pizzaoven mag niet worden gebruikt als de kabel beschadigd is.
- Om elektrische schokken te voorkomen, dompel de kabel, stekkers, sondes of pizzaoven niet onder in water of andere vloeistoffen.
- Om elektrische schokken te voorkomen, spuit geen vloeistof in de pizzaoven.
- Gebruik de pizzaoven alleen op een vlak, hittebestendig oppervlak.
- Gebruik hittebestendige handschoenen bij het bedienen van de pizzaoven.

ZORGFULD

- Bij het aansluiten van deze pizzaoven op een stroomvoorziening, zorg ervoor dat de spanning overeenkomt met de spanningswaarde die op het label van de pizzaoven is aangegeven.
- Overschrijd niet het vermogen van het elektrische stopcontact.
- Gebruik de pizzaoven niet in een voertuig of in een opslag- of laadruimte van enig voertuig. Dit omvat, maar is niet beperkt tot, auto's, vrachtwagens, stationwagens, minivans, sportutilityvoertuigen, mobiele woningen, caravans en boten.
- Tijdens de installatie: plaats de oven niet op oppervlakken of in de buurt van muren, scheidingswanden of keukenkasten, tenzij ze gemaakt zijn van niet-brandbare materialen of bekleed zijn met niet-brandbaar hitte-isolerend materiaal, en let op de brandpreventiemaatregelen.
- Gebruik de pizzaoven niet met de deurtje van de pizzaoven voor meer dan 2 uur om oververhitting van de oven te voorkomen.
- **GEBRUIK DE STEEN NIET BOVEN EEN OPEN VUUR.**
- Vermijd extreme temperatuurverschillen op de steen. **PLAATS GEEN BEVRIJZDE ETEN OP EEN HETE STEEN.**
- De steen is fragiel en kan breken als deze wordt gestoten of gevallen.
- De steen is zeer heet tijdens gebruik en blijft lang heet na gebruik.
- **KOEL DE STEEN NIET MET WATER WANNEER DE STEEN HET.**
- Na het schoonmaken van de steen met water, droog de steen voordat je deze gebruikt. Dit kan gedaan worden in een conventionele oven op 60°C (140°F) voor 2 uur.
- Bewaak de pizza steen op een droge en warme plaats.
- De pizza steen wordt beschouwd als een slijtage onderdeel en is niet gedekt door de garantie.
- Laat de pizzaoven afkoelen voordat je het verplaatst, schoonmaakt of opbergt.
- De pizzaoven deur moet niet in de buurt van brandbare materialen worden gebruikt tijdens koken. (Petroleum producten, verdunners of enig ander object dat een brandbaar waarschuwingslabel draagt.)
- Dek de pizzaoven alleen af als deze is afgekoeld.

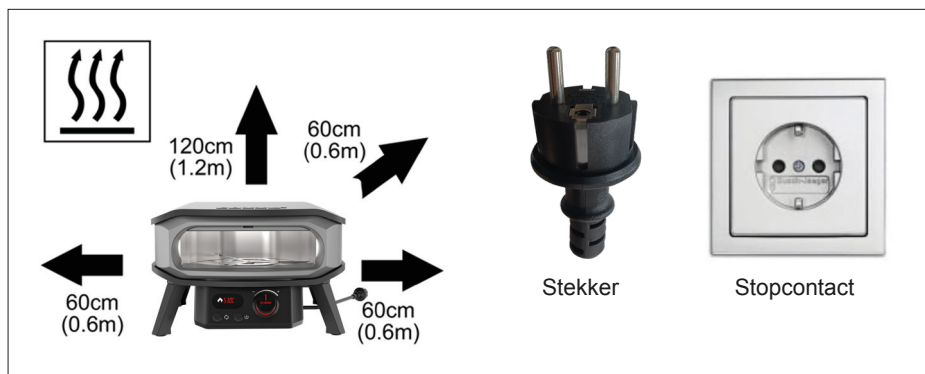
1.2 Installatie en Assemblage

WAARSCHUWING

- Dit model van pizzaoven is alleen bedoeld voor vrijstaande plaatsing op een vlak oppervlak.
- Lees de volgende instructie zorgvuldig door en zorg ervoor dat je pizzaoven correct is geïnstalleerd, geassembleerd en onderhouden. Het niet volgen van deze instructies kan leiden tot ernstige lichamelijke verwondingen en/of schade aan eigendommen.

ZORGFULD

- Om het risico op schade aan eigendommen en/of persoonlijk letsel te minimaliseren, gebruik geen verlengsnoer tenzij het voldoet aan de specificaties die in deze gebruikershandleiding zijn vermeld.
- Als het nodig is om een verlengsnoer te gebruiken, moet het worden aangesloten op een geaarde stopcontact. Gebruik alleen een 14-draads kabel met een geaarde stekker, geschikt voor gebruik met de pizzaoven. De maximale lengte van het verlengsnoer is 4 meter. Houd het verlengsnoer zo kort mogelijk. Controleer het verlengsnoer voor gebruik en vervang het indien beschadigd.
- Zorg ervoor dat het snoer geen struikelgevaar vormt.
- Houd de aansluitingen droog.
- De pizzaoven deur is een mobiele deur voor je pizzaoven. Het gebruik van deze pizzaoven deur tijdens het opwarmen kan de opwarmtijd met 20-30% verkorten.
- De pizzaoven deur moet tijdens het gebruik uit de buurt van brandbare materialen worden gehouden.
- De pizzaoven deur mag niet op een brandbaar oppervlak worden geplaatst totdat deze is afgekoeld.
- Plaats de pizzaoven deur niet op de bovenkant van de pizzaoven tijdens het koken.
- LAAT GEEN GEVAARLIJKE OBJECTEN, zoals een aansteker of brandvloeistof, naast je pizzaoven deur liggen. Inderdaad, de pizzaoven deur straalt na gebruik warmte in alle richtingen uit.
- Houd je aan alle lokale wetten en voorschriften bij het gebruik van deze pizzaoven.
- Als je vragen hebt over de assemblage of werking, raadpleeg dan je dealer.
- Het wordt aanbevolen om beschermende handschoenen te gebruiken bij het hanteren van bijzonder hete onderdelen.
- De door de fabrikant of zijn agent verzegelde onderdelen mogen niet door de gebruiker worden bewerkt.
- **OPMERKING VOOR DE CONSUMENT:** Bewaar deze handleiding voor toekomstig gebruik.



2. Product Features



A: Een LED-scherm fungeert als een digitale thermometer die de temperatuur van de ovenkamer weergeeft totdat de ingestelde temperatuur is bereikt. Dit zorgt voor een nauwkeurige en precieze temperatuurweergave van je pizzaoven.

B: De bedieningsknop is gemakkelijk te gebruiken. Druk om het apparaat in of uit te schakelen. Draai met de klok mee om de gewenste temperatuur te verhogen of draai tegen de klok in om de gewenste temperatuur te verlagen. Druk drie seconden op de knop om tussen °F of °C te schakelen.

C: De knop voor de roterende motor regelt het openen en sluiten van het roterende rek.

D: De hoofdschakelaar regelt de aan- en uitzetting van de pizzaoven.

E: De pizzaoven deur wordt gebruikt zowel tijdens het voorverwarmen van de oven als tijdens het bakken van de pizza.



WAARSCHUWING
HOGE TEMPERATUUR

ZORGFULD!

RAAK DE BEHUIZING, HET
BOVENPANEEL OF DE
VERWARMINGSCOIL NIET AAN TIJDENS
GEBRUIK. TOEGANKELIJKE DELEN
KUNNEN ZEER HEET ZIJN.

VOORBEREIDEN OP GEBRUIK

Volg deze instructies zorgvuldig om ernstige schade aan je pizzaoven te voorkomen en letsel aan jezelf en eigendommen te vermijden.

1. Stel de pizzaoven en de pizzaoven deur samen door de assemblage-instructies zorgvuldig te volgen.
2. Sluit de pizzaoven aan op een stopcontact dat uitgeschakeld is, druk op de hoofdschakelaar (D) om de pizzaoven in te schakelen, druk op de bedieningsknop om het display te laten starten, het display toont de temperatuur van de ovenkamer. Druk op de knop (C) om de rotatiefunctie te starten.
3. Vergeet niet de stroomstekker uit te trekken na gebruik.

FUNCTIES VAN DE BEDIENINGSKNOP

- Druk op de knop om de stroom in te schakelen en de temperatuur weer te geven.
- Draai met de klok mee om de gewenste temperatuur te verhogen of draai tegen de klok in om de gewenste temperatuur te verlagen.
- Druk drie seconden op de knop om te schakelen tussen °F of °C.
- Temperatuurinstelling: Zodra je de bedieningsknop hebt gedraaid om de gewenste temperatuur in te stellen, laat je de bedieningsknop los en zal het display 3 keer knipperen om de ingestelde temperatuur te bevestigen. De pizzaoven begint nu te verwarmen totdat de ingestelde temperatuur is bereikt. Het display toont de voortgang van de huidige temperatuur totdat de ingestelde temperatuur is bereikt. Houd er rekening mee dat de temperatuur op het display de geselecteerde ingestelde temperatuur is. Zodra het voedsel op het kookoppervlak wordt geplaatst, zal de kooktemperatuur van het kookoppervlak dalen door de koude van het voedsel. Het display blijft de ingestelde temperatuur weergeven en zal opwarmen totdat het de ingestelde temperatuur bereikt.
- Druk op de knop om de pizzaoven uit te schakelen.
- Trek de stroomstekker uit het stopcontact wanneer de oven niet in gebruik is.

OMGEVINGSOMSTANDIGHEDEN

- Het gebruik van de oven in een kouder klimaat of op grotere hoogte zal je kooktijd verlengen.
- Aanhoudende wind zal de interne temperatuur van de pizzaoven verlagen.
- Kookoppervlakken zijn gemakkelijk verwisselbaar.

3. Opslagruimte

- Laat de pizzaoven altijd afkoelen voordat u deze opbergt.
- Trek altijd de stekker uit het stopcontact door aan de stekker te trekken. Trek niet aan de kabel.
- Bedek de pizzaoven alleen wanneer deze is afgekoeld.
- Bewaar de afgedekte pizzaoven altijd op een warme en droge plaats.

4. Reiniging en Onderhoud

LET OP: Alle reiniging en onderhoud dient te worden uitgevoerd wanneer de pizzaoven is afgekoeld en de stekker uit het stopcontact is gehaald. Het “uitbranden” van de pizzaoven na elk gebruik (ongeveer 15 minuten) houdt overtollige etensresten tot een minimum beperkt. Het wordt aanbevolen om de pizzaoven minstens één keer per maand schoon te maken en te onderhouden om de levensduur van uw pizzaoven te verlengen en de kans op problemen te verkleinen.

5. Reiniging

- Laat de pizzaoven afkoelen voordat u deze schoonmaakt.
- Gebruik geen hogedrukstoomapparatuur of een waterstraal om de pizzaoven schoon te maken.

BUITENKANT

- Gebruik een mild reinigingsmiddel of een oplossing van bakpoeder en heet water. Voor hardnekkige vlekken kan een niet-schurend schuurpoeder worden gebruikt, daarna afspoelen met water.

PLASTIC OPPEVLAKKEN

- Was met een zachte doek en een oplossing van heet water met zeep. Spoel af met water. Gebruik geen schurende schoonmaakmiddelen, ontvetters of een geconcentreerde barbecue-reiniger op plastic onderdelen.

PIZZASTEEN

- Gebruik de COZZE-borstel om de restanten weg te borstelen na het “uitbranden”. Indien nodig kan de afgekoelde steen worden afgespoeld met water. Zorg ervoor dat de steen volledig droog is voordat u deze opnieuw gebruikt.

6. Het apparaat retourneren voor Reparatie, Service & Garantie

- Wijzig de pizzaoven niet. Dit kan ervoor zorgen dat de pizzaoven onveilig wordt. Alle wijzigingen maken de garantie ongeldig.
- Als u een storing niet kunt verhelpen door deze instructies te volgen, neem dan contact op met uw lokale distributeur voor advies, inspectie of reparatie-instructies.
- Bewaar alle betalingsbewijzen en het installatiecertificaat voor garantievoorwaarden. Als deze niet kunnen worden overgelegd, worden alle garanties als ongeldig beschouwd.

7. Bak de Perfecte Pizza met uw Cozze Pizzaoven

Verwarm uw Cozze pizzaoven voor tot ongeveer 400°C. De hoge temperatuur is het geheim voor de perfecte pizza!

Hoe gebruikt u uw pizzaoven:

1. Grondig voorverwarmen:

- Steek de oven in en verwarm deze minstens 20 minuten om ervoor te zorgen dat de steen 400°C bereikt (gebruik een Cozze infraroodthermometer voor precisie).

2. Bak uw pizza:

- Plaats uw pizza op de hete, roterende steen met een pizzaschep.
- Zet de temperatuur laag tijdens het bakken om de korst krokant te houden zonder te verbranden.

3. Tussen de pizza's:

- Verhoog de temperatuur naar maximaal voor 5 minuten om de steen opnieuw op te warmen, en herhaal dan het proces.

4. Serveer en geniet:

- Verwijder de pizza, laat deze even afkoelen, snijd in stukken en eet smakelijk.

Met Cozze is elke pizzanacht een meesterwerk.
Bon appétit!

8. Algemene Cozze Garantie

Cozze biedt een garantie van 2 jaar op alle producten.

De bovenstaande garantie is onderhevig aan de volgende voorwaarden:

- Het Cozze-product wordt gebruikt volgens de instructies in de gebruikershandleiding.
- Het Cozze-product is niet gewijzigd.
- Het Cozze-product is correct geassembleerd volgens de voorschriften.
- Het Cozze-product wordt onderhouden en regelmatig gereinigd volgens de gebruikershandleiding.
- Bewaar het Cozze-product bedekt met een hoes wanneer het niet in gebruik is.
- Cozze winteropslag: Alle houten onderdelen, pizzastenen en accessoires voor Cozze moeten binnenshuis worden opgeslagen tijdens de winter.
- Het Cozze-product is, indien van toepassing, aangesloten op het juiste type gas of elektriciteit.
- Het Cozze-product is geplaatst op een vlak en veilig oppervlak.
- Het Cozze-product is niet voorzien van niet-originele Cozze-onderdelen.
- Het Cozze-product mag niet worden opgeslagen als een vast onderdeel in de buurt van de zee, chloorhoudende zwembaden of jacuzzi's.
- Het Cozze-product wordt alleen gebruikt voor privégebruik.

De garantie dekt niet:

Cozze-producten die defect, beschadigd of anderszins verslechterd zijn als gevolg van:

- Verwachte slijtage door normaal gebruik
- Vandalisme
- Ongebruikelijk weer zoals hagel, stormachtig weer, tornado's, tsunami's, aardbevingen of zware stormen.
- Andere omgevingsomstandigheden zoals zure regen, chloor/zout in de lucht en andere milieuomstandigheden.

FORNO DE PIZZA ELÉTRICO

PT - Manual do Usuário

Leia e siga estas instruções para ajudar a garantir a segurança e prevenir danos à propriedade.

CUIDADO: Indica uma situação perigosa que, se não evitada, pode resultar em lesões leves ou moderadas.

AVISO: Indica uma situação perigosa que, se não evitada, pode resultar em morte ou lesões graves.

PERIGO: Indica uma situação perigosa que, se não evitada, resultará em morte ou lesões graves.

AVISO!

Leia atentamente esta instrução e assegure-se de que o seu forno de pizza esteja corretamente instalado, montado, mantido e reparado de acordo com estas instruções. O não seguimento destas instruções pode resultar em lesões corporais graves e/ou danos à propriedade.

Se tiver dúvidas sobre a montagem ou operação deste forno de pizza, consulte o seu revendedor.

Notas para o usuário:

ESTE FORNO DE PIZZA É SOMENTE PARA USO DOMÉSTICO. LEIA AS INSTRUÇÕES ANTES DE USAR O APARELHO.

AVISO: PARTES ACESSÍVEIS PODEM ESTAR MUITO QUENTES, MANTENHA CRIANÇAS PEQUENAS LONGE.

NÃO MOVER O APARELHO DURANTE O COZIMENTO. GUARDE O MANUAL PARA FUTURA REFERÊNCIA. OS DESENHOS SÃO SOMENTE PARA REFERÊNCIA.

FORNO DE PIZZA ELÉTRICO			
90446 (13 INCH)		90448 (17 INCH)	
220-240 V~ 50-60 Hz	2200 W	220-240 V~ 50-60 Hz	2200 W
IPX4	Net weight: 21.8 kg	IPX4	Net weight: 26.4 kg
Millarco International A/S Rokhøj 26, 8520 Lystrup, Denmark www.millarco.com www.cozzebq.com millarco@millarco.com			



Não descarte o aparelho elétrico como lixo urbano não classificado, utilize instalações de coleta separadas. Entre em contato com o governo local para informações sobre os sistemas de coleta disponíveis. Se os aparelhos elétricos forem descartados em aterros ou lixões, substâncias perigosas podem vazar para o lençol freático e entrar na cadeia alimentar, prejudicando a sua saúde e bem-estar.

1.1 Operação

PERIGO

- Use o forno de pizza em uma área bem ventilada.
- Não use carvão, briquetes, combustível líquido ou pedras de lava no forno de pizza.

AVISO

- Use o forno de pizza apenas conforme descrito neste manual do usuário. O uso inadequado pode causar incêndio, choque elétrico ou lesões.
- Este forno de pizza deve ser conectado apenas a uma tomada aterrada.
- Este forno de pizza deve ser fornecido por meio de um dispositivo de corrente residual (RCD) com corrente residual nominal não superior a 30 mA.
- Não opere o forno de pizza se a tomada elétrica estiver danificada.
- Se o cabo de fornecimento estiver danificado, ele deve ser substituído pelo fabricante, seu agente de serviço ou pessoas igualmente qualificadas para evitar riscos.
- Sempre desconecte puxando o plugue. Não puxe o cabo.
- Não use o forno de pizza a menos de 3 m de qualquer tipo de água, como uma piscina ou lagoa.
- Não use o forno de pizza a menos de 60 cm de materiais combustíveis. As distâncias mínimas de segurança são: acima do forno de pizza 1,2 m. Na parte traseira e laterais 60 cm (veja a ilustração).
- Mantenha a área de cozimento livre de vapores e líquidos inflamáveis, como gasolina, álcool, etc., e materiais inflamáveis/combustíveis.
- Caso ocorra um incêndio de gordura, feche a tampa, desligue o botão de energia, desconecte o forno de pizza da tomada e mantenha a tampa fechada até que o fogo se apague. Não use líquido para apagar as chamas.
- Partes acessíveis podem estar muito quentes. Mantenha crianças pequenas e animais de estimação afastados.
- AVISO: O forno de pizza e suas partes acessíveis ficam quentes durante o uso. Deve-se tomar cuidado para não tocar nos elementos de aquecimento.
- Este forno de pizza pode ser usado por crianças a partir de 8 anos de idade e por pessoas com capacidades físicas, sensoriais ou mentais reduzidas ou falta de experiência e conhecimento, desde que tenham supervisão ou instrução sobre o uso do forno de pizza de maneira segura e compreendam os riscos envolvidos. Crianças não devem brincar com o forno de pizza. A limpeza e a manutenção não devem ser feitas por crianças sem supervisão.
- Crianças menores de 8 anos devem ser mantidas afastadas, a menos que supervisionadas continuamente.
- O uso de álcool, medicamentos prescritos, medicamentos não prescritos ou drogas ilícitas pode prejudicar a capacidade do consumidor de montar, mover, armazenar ou operar o forno de pizza de forma adequada e segura.
- As instruções sobre pessoas (incluindo crianças) com capacidades físicas, sensoriais ou mentais reduzidas, ou falta de experiência e conhecimento, não se aplicam.
- Não deixe o forno de pizza sem supervisão durante o pré-aquecimento ou uso. Tenha cautela ao usar este forno de pizza.
- Não mova o forno de pizza durante o uso.
- Mantenha qualquer cabo de alimentação elétrico afastado de superfícies aquecidas. Siga as instruções de gerenciamento de cabos.
- Coloque o cabo de alimentação longe de áreas de tráfego. Organize o cabo de forma

que não possa ser puxado ou tropeçado.

- Não use o forno de pizza se ele cair ou apresentar defeitos de qualquer tipo.
- Carvão ou combustíveis semelhantes não devem ser usados com este forno de pizza.
- O forno de pizza deve ser conectado a uma tomada com contato de aterramento.
- O cabo de fornecimento deve ser regularmente examinado quanto a sinais de danos e o forno de pizza não deve ser usado se o cabo estiver danificado.
- Para proteção contra choque elétrico, não mergulhe o cabo, os plugs, as sondas ou o forno de pizza em água ou outros líquidos.
- Para evitar choque elétrico, não borrife líquidos dentro do forno de pizza.
- Opere o forno de pizza apenas em uma superfície nivelada e resistente ao calor.
- Use luvas resistentes ao calor ao operar o forno de pizza.

CUIDADO

- Ao conectar este forno de pizza a uma fonte de energia, verifique se a voltagem fornecida corresponde à voltagem indicada na etiqueta do forno de pizza.
- Não exceda a potência da tomada elétrica.
- Não use o forno de pizza em nenhum veículo ou na área de armazenamento ou carga de qualquer veículo. Isso inclui, mas não se limita a, carros, caminhões, peruas, minivans, veículos utilitários esportivos, casas móveis, trailers e barcos.
- Durante a instalação: não coloque em superfícies ou perto de paredes, divisórias ou móveis de cozinha e similares, a menos que sejam feitos de material não combustível ou revestidos com material isolante térmico não combustível, e preste atenção às regulamentações de prevenção de incêndio.
- Não use o forno de pizza com a porta do forno de pizza por mais de 2 horas para evitar o superaquecimento do forno.
- NÃO use a pedra sobre uma chama aberta.
- Evite mudanças extremas de temperatura na pedra. NÃO coloque alimentos congelados sobre uma pedra quente.
- A pedra é frágil e pode quebrar se for batida ou caída.
- A pedra fica muito quente durante o uso e permanece quente por um longo tempo após o uso.
- NÃO resfrie a pedra com água quando estiver quente.
- Após limpar a pedra com água, por favor, seque a pedra antes de usá-la. Isso pode ser feito em um forno convencional a 60 °C (140 °F) por 2 horas.
- Armazene a pedra da pizza em um local seco e quente.
- A pedra da pizza é considerada uma peça de desgaste e não está coberta pela garantia.
- Deixe o forno de pizza esfriar antes de movê-lo, limpá-lo ou armazená-lo.
- A porta do forno de pizza não deve ser usada perto de materiais inflamáveis durante o cozimento. (Produtos à base de petróleo, diluentes ou qualquer outro objeto sólido que tenha um rótulo de advertência de inflamabilidade).
- Cubra o forno de pizza apenas quando estiver frio.

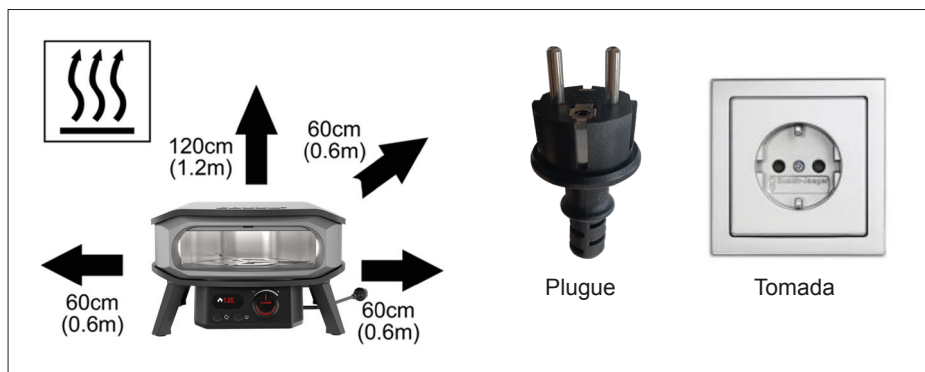
1.2 Instalação e Montagem

AVISO

- Este modelo de forno de pizza é destinado apenas para uso independente em uma superfície nivelada.
- Leia atentamente as instruções a seguir e certifique-se de que seu forno de pizza está devidamente instalado, montado e cuidado. O não cumprimento dessas instruções pode resultar em ferimentos graves e/ou danos materiais.

CUIDADO

- Para minimizar o risco de danos materiais e/ou ferimentos pessoais, não use um cabo de extensão, a menos que ele esteja em conformidade com as especificações listadas neste manual do usuário.
- Se for necessário usar um cabo de extensão, ele deve ser conectado a uma tomada aterrada. Use apenas um cabo de 14 gauge com plugue aterrada, adequado para uso com o forno de pizza. O comprimento máximo para o cabo de extensão é 4 metros. Mantenha o cabo de extensão o mais curto possível. Examine o cabo de extensão antes de usar e substitua-o se estiver danificado.
- Certifique-se de que o cabo não represente um risco de tropeço.
- Mantenha as conexões secas.
- A porta do forno de pizza é uma porta móvel para o seu forno de pizza. Usar a porta do forno de pizza durante o aquecimento pode reduzir o tempo de aquecimento em 20-30%.
- A porta do forno de pizza deve ser mantida afastada de materiais inflamáveis durante o uso.
- A porta do forno de pizza não deve ser colocada sobre qualquer superfície inflamável até que esfrie.
- Não coloque a porta do forno de pizza no topo do forno durante o cozimento.
- NÃO deixe objetos perigosos, como isqueiro ou fluido de acendimento, próximos à porta do forno de pizza. Após o uso, a porta do forno de pizza irradia calor em todas as direções.
- Observe todas as leis e regulamentos locais ao usar este forno de pizza.
- Se tiver dúvidas sobre a montagem ou operação, consulte seu revendedor.
- Recomenda-se o uso de luvas de proteção ao manusear componentes particularmente quentes.



- As partes vedadas pelo fabricante ou seu agente não devem ser manipuladas pelo usuário
- NOTA PARA O CONSUMIDOR: Guarde este manual para futuras referências.

2. Características do Produto



A: A tela LED serve como um termômetro digital exibindo a temperatura da câmara do forno até que a temperatura configurada seja alcançada. Isso garante uma leitura precisa e exata da temperatura do seu forno de pizza.

B: O botão de controle é fácil de usar. Pressione para ligar ou desligar o aparelho. Gire no sentido horário para aumentar a temperatura desejada ou no sentido anti-horário para reduzir a temperatura desejada. Pressione o botão por três segundos para alternar entre °F ou °C.

C: O botão do motor rotativo controla a abertura e o fechamento da prateleira rotativa.

D: O botão principal de energia controla o ligar e desligar do forno de pizza.

E: A porta do forno de pizza é usada tanto durante o pré-aquecimento do forno quanto durante o processo de assar a pizza.



AVISO
ALTA TEMPERATURA

CUIDADO!

NÃO TOQUE NO CORPO, NO PAINEL SUPERIOR OU NA RESISTÊNCIA DURANTE O USO. PARTES ACESSÍVEIS PODEM ESTAR MUITO QUENTES.

PREPARANDO O USO

Siga estas instruções cuidadosamente para evitar danos sérios ao seu forno de pizza e ferimentos a você e a propriedade.

1. Monte o forno de pizza e a porta do forno de pizza seguindo as instruções de montagem com atenção.
2. Conecte o forno de pizza a uma tomada de energia desligada, pressione o botão principal de energia (D) para ligar o forno de pizza, pressione o botão de controle para iniciar o funcionamento da tela, a tela mostrará a temperatura da câmara do forno. Pressione o botão (C) para iniciar a função de rotação.
3. Lembre-se de retirar o plugue de energia após o uso.

FUNÇÕES DOS BOTÕES DE CONTROLE

- Pressione o botão para entrar no estado de energia ligada e exibir a temperatura.
- Gire no sentido horário para aumentar a temperatura desejada ou no sentido anti-horário para diminuir a temperatura desejada.
- Pressione o botão por três segundos para alternar entre °F ou °C.
- Configuração de Temperatura: Depois de girar o botão de controle para definir a temperatura desejada, solte o botão de controle e a tela piscará 3 vezes para confirmar a temperatura definida. O forno de pizza começará a aquecer até atingir a temperatura definida. A tela mostrará o progresso da temperatura atual até que atinja a temperatura definida. Observe que a temperatura mostrada na tela é a temperatura definida selecionada, uma vez que o alimento seja colocado na superfície de cozimento, a temperatura de cozimento da superfície de cozimento será reduzida devido ao alimento estar frio. A tela continuará mostrando a temperatura definida e aquecerá até atingir a temperatura definida.
- Pressione o botão para desligar.
- Retire o plugue da tomada quando não estiver usando o forno.

CONDIÇÕES AMBIENTAIS

- Usar o forno em um clima mais frio ou em uma altitude mais alta aumentará o tempo de cozimento.
- Ventos contínuos reduzirão a temperatura interna do forno de pizza.
- As superfícies de cozimento são facilmente intercambiáveis.

3. ARMAZENAMENTO

- Sempre permita que o forno de pizza esfrie antes de armazená-lo.
- Sempre desconecte puxando o plugue. Não puxe pelo cabo.
- Cubra o forno de pizza apenas quando ele estiver completamente esfriado.
- Sempre armazene o forno de pizza coberto em um local quente e seco.

4. Limpeza e Cuidados

CUIDADO: Toda limpeza e manutenção devem ser realizadas quando o forno de pizza estiver frio e com o plugue desconectado da tomada. "Queimar" o forno de pizza após cada uso (por aproximadamente 15 minutos) ajudará a manter o resíduo excessivo de alimentos ao mínimo. Recomenda-se realizar a limpeza e manutenção do forno de pizza pelo menos uma vez por mês para prolongar a vida útil do forno e diminuir a possibilidade de problemas.

5. Limpeza

- Deixe o forno de pizza esfriar antes de limpá-lo.
- Não use equipamentos de vapor de alta pressão ou jatos d'água para limpar o forno de pizza.

SUPERFÍCIE EXTERIOR

- Use detergente suave ou uma solução de bicarbonato de sódio e água quente. Pode-se usar pó abrasivo não abrasivo para manchas difíceis, depois enxágue com água.

SUPERFÍCIES PLÁSTICAS

- Lave com um pano macio e uma solução de água morna com sabão. Enxágue com água. Não use produtos de limpeza abrasivos, desengordurantes ou um limpador concentrado para churrasqueiras em partes plásticas.

PEDRA PARA PIZZA

- Use a escova de arame COZZE para remover os resíduos restantes após "queimar" o forno. Se necessário, a pedra fria pode ser enxaguada com água. Certifique-se de que a pedra esteja completamente seca antes de usá-la novamente.

6. Devolução do aparelho para reparo, serviço e garantia

- Não modifique o forno de pizza. Isso pode fazer com que o forno se torne inseguro. Quaisquer modificações anularão a garantia.
- Se você não conseguir resolver qualquer problema seguindo estas instruções, entre em contato com o distribuidor local para obter conselhos, instruções de inspeção ou reparo.
- Por favor, mantenha todas as provas de pagamento e o certificado de instalação para fins de garantia. Se esses não puderem ser fornecidos, todas as garantias serão consideradas inválidas.

7. Asse a pizza perfeita com o seu forno de pizza Cozze

Pré-aqueça o seu forno de pizza Cozze a aproximadamente 400°C. O calor elevado é o segredo para a perfeição da pizza!

Como Usar o Seu Forno de Pizza:

1. Pré-aqueça Bem:

- Conecte o forno e pré-aqueça por pelo menos 20 minutos para garantir que a pedra atinja 400°C (Use um termômetro infravermelho Cozze para precisão).

2. Asse Sua Pizza:

- Coloque sua pizza na pedra quente e rotativa usando uma pá.
- Ajuste a temperatura para baixa durante o processo de assar para manter a crosta crocante sem queimar.

3. Entre as Pizzas:

- Para pizzas adicionais, aumente a temperatura para o máximo por 5 minutos para aquecer a pedra novamente, depois repita o processo.

4. Sirva e Aproveite:

- Retire a pizza, deixe esfriar um pouco, corte e aproveite.

Com Cozze, toda noite de pizza é uma obra-prima.

Bon appétit!

8. Garantia Geral Cozze

A Cozze oferece uma garantia de 2 anos para todos os seus produtos.

A garantia está sujeita às seguintes condições:

- O produto Cozze deve ser utilizado de acordo com as instruções do manual do usuário.
- O produto Cozze não deve ser modificado.
- O produto Cozze deve ser corretamente montado de acordo com as regulamentações.
- O produto Cozze deve ser mantido e limpo com frequência conforme o manual do usuário.
- O produto Cozze deve ser armazenado coberto quando não estiver em uso.
- Armazenamento de inverno para produtos Cozze: Todas as partes de madeira, pedras de pizza e acessórios devem ser armazenados em ambientes internos durante o inverno.
- O produto Cozze deve estar, quando aplicável, conectado ao tipo correto de gás ou eletricidade.
- O produto Cozze deve ser colocado em uma superfície plana e segura.
- O produto Cozze não deve ser equipado com peças não originais da Cozze.
- O produto Cozze não deve ser armazenado como um componente sólido perto do mar, piscinas com cloro ou banheiras de hidromassagem.
- O produto Cozze deve ser utilizado apenas para uso doméstico.

A garantia não cobre produtos Cozze que sejam defeituosos, danificados ou degradados devido a:

- Desgaste normal com uso regular.
- Vandalismo.
- Condições climáticas incomuns, como granizo, tempestades, tornados, tsunamis, terremotos ou chuvas fortes.
- Outras condições ambientais, como chuva ácida, cloro/sal no ar e outras condições climáticas adversas.

ELEKTRILINE PITSAAHI

EST - Kasutusjuhend

Lugege ja järgige neid väiteid, et tagada ohutus ja vältida varakahjustusi.

HOIATUS: Näitab ohtlikku olukorda, mis, kui seda ei väldita, võib põhjustada väikse või mõõduka vigastuse.

HOIATUS: Näitab ohtlikku olukorda, mis, kui seda ei väldita, võib põhjustada surma või tõsiseid vigastusi.

OHT: Näitab ohtlikku olukorda, mis, kui seda ei väldita, viib surma või tõsiste vigastusteni.

HOIATUS!

Lugege see juhend hoolikalt läbi ja veenduge, et teie pitsaahi on õigesti paigaldatud, kokku pandud, hooldatud ja teenindatud vastavalt nendele juhiste. Juhiste mittenouetekohane järgimine võib põhjustada tõsiseid kehavigastusi ja/või varakahjustusi.

Kui teil on küsimusi ahju kokkupaneku või töö kohta, konsulteerige oma edasimüüjaga.

Kasutaja märkus:

SEE PITSAAHJU ON AINULT KODUSEKS KASUTAMISEKS. LOE JUHENDIT ENNE SEADME KASUTAMIST.

HOIATUS: JUURDEPÄÄSETAVAD OSADED VÕIVAD OLLA VÄGA KUUMAD, HOIDKE LASTE EEMAL.

ÄRGE LIIGUTAGE SEADME KASUTAMISE AEG. HOIDKE JUHENDIT TULEVIKUS ÜKSIKUTE KÜSIMUSTE KOHTA.

JOONISED ON AINULT VIITEKS.

ELEKTRILINE PITSAAHI			
90446 (13 INCH)		90448 (17 INCH)	
220-240 V~ 50-60 Hz	2200 W	220-240 V~ 50-60 Hz	2200 W
IPX4	Net weight: 21.8 kg	IPX4	Net weight: 26.4 kg
Millarco International A/S Rokhøj 26, 8520 Lystrup, Denmark www.millarco.com www.cozzebbq.com millarco@millarco.com			



Ärge visake elektrilisi seadmeid segatud linnaolmeprürgisse, kasutage eraldi kogumiskohti. Kontaktige oma kohaliku omavalitsusega, et saada teavet saadaval olevate kogumissüsteemide kohta. Kui elektrilised seadmed viiakse prügimägedele või prügilatesse, võivad ohtlikud ained lekkida pinnasesse ja sattuda toiduahelasse, kahjustades teie tervist ja healu.

1.1 Töötlus

OHT

- Kasutage pitsaahi hästi ventileeritavas ruumis.
- Ärge kasutage pitsaahjus söe, briketid, vedelat kütust ega laavakivist.

HOIATUS

- Kasutage ainult nagu on kirjeldatud kasutusjuhendis. Vale kasutamine võib põhjustada tulekahju, elektrilöögi või vigastusi.
- See pitsaahi tuleb ühendada ainult maandatud pistikupessa.
- Pitsaahi peab olema varustatud järelejäanud vooluvõrgu kaitse seadmega (RCD), mille nimiväärtus ei ületa 30 mA.
- Ärge kasutage pitsaahju, kui pistikupesa on kahjustatud.
- Kui toitejuhe on kahjustatud, tuleb see asendada tootja, teenindusagendi või sarnaste kvalifikatsioonidega isikute poolt, et vältida ohtu.
- Eemaldage alati pistik, tõmmates pistiku küljest. Ärge tõmmake kaablit.
- Ärge kasutage pitsaahju vähem kui 3 meetri kaugusel veekogudest, nagu bassein või tiik.
- Ärge kasutage pitsaahju vähem kui 60 cm kaugusel süttivatest materjalidest. Minimaalne ohutu kaugus on: pitsaahi kohal 1,2 m. Tagant ja külgedelt 60 cm (vt joonis).
- Hoida küpsetamisala eemal süttivatest aurudest ja vedelikest, nagu bensiin, alkohol jne, ning süttivatest/süttivatest materjalidest.
- Kui tekib rasvapõleng, sulgege kaas, lülitage toite nupp välja, tõmmake pitsaahi pistikupesast välja ja jätke kaas suletuks, kuni tuli on kustunud. Ärge kasutage vedelikku leekide kustutamiseks.
- Juurdepääsetavad osad võivad olla väga kuumad. Hoidke noori lapsi ja lemmikloomi eemal.
- HOIATUS: Pitsaahi ja selle juurdepääsetavad osad muutuvad kasutamise ajal kuumaks. Olge ettevaatlik, et vältida kuumutuselementide puudutamist.
- See pitsaahi on kasutamiseks lubatud lastele alates 8. eluaastast ja isikutele, kellel on füüsilised, sensoorilised või vaimsed piirangud või kellel puudub kogemus ja teadmised, kui neile on antud järelevalve või juhised pitsaahju ohutuks kasutamiseks ning nad mõistavad seotud ohte. Lastele ei tohi lubada pitsaahjuga mängida. Lastele ei tohi lasta pitsaahju puhastada ega hooldada ilma järelevalveta.
- Lapsed, kes on alla 8-aastased, peavad olema eemal, välja arvatud juhul, kui neid jälgitakse pidevalt.
- Alkoholi, retseptiravimite, käsimüügiravimite või ebaseaduslike narkootikumide kasutamine võib takistada tarbija võimet õigesti ja ohutult kokkupanekut, liikumist, ladustamist või pitsaahju kasutamist.
- Kasutusjuhised, mis puudutavad inimesi (sealhulgas lapsi), kellel on füüsilised, sensoorilised või vaimsed piirangud, või kellel puudub kogemus ja teadlikkus, ei kehti.
- Ärge jätke pitsaahju järelevalveta eeltöötuse ega kasutamise ajal. Olge ettevaatlik, kui kasutate seda pitsaahju.
- Ärge liigutage pitsaahju kasutamise ajal.
- Hoidke kõiki elektrilisi toitekaableid eemal kuumutatud pindadest. Järgige kaabli haldamise juhiseid.
- Paigutage toitekaabel kaugusele liikluspriirkondadest. Paigutage kaabel nii, et seda ei tõmmata ega komistata üle.

- Ärge kasutage pitsaahju, kui see on kukkunud või tal on igasugune talitlushäire.
- Sõe või sarnaste süttivate kütuste kasutamine on keelatud koos selle pitsaahjuga.
- Pitsaahi tuleb ühendada pistikupesaga, millel on maanduskontakt.
- Toitejuhet tuleb regulaarselt kontrollida kahjustuste suhtes ja pitsaahju ei tohi kasutada, kui juhe on kahjustatud.
- Elektrilöögi kaitsmiseks ärge kastke kaablit, pistikuid, andureid ega pitsaahju vette või muudesse vedelikesse.
- Elektrilöögi vältimiseks ärge pihustage vedelikku pitsaahi sisse.
- Kasutage pitsaahju ainult tasasel, kuumakindlal pinnal.
- Kasutage kuumakindlaid kindaid pitsaahju kasutamisel.

HOIATUS

- Kui ühendate pitsaahi toiteallikaga, veenduge, et toitepinge vastab pitsaahju sildil märgitud pingele reitingule.
- Ärge ületage pistikupesaga võimsuse piiri.
- Ärge kasutage pitsaahju üheski sõidukis ega sõiduki hoiuruumis või lastiruumis. See kehtib, kuid ei ole piiratud ainult, autod, veokid, universaalkerega autod, minibussid, maasturid, kodumajapidamismoodulid, karavanid ja paadid.
- Paigaldamisel: ärge asetage ahju pindadele ega seintele, vaheseintele või köögimööbli lähedusse, välja arvatud juhul, kui need on valmistatud mittesüttivast materjalist või kaetud mittesüttiva soojusisolatsioonimaterjaliga, ja järgige tuleohutuse määrusi.
- Ärge kasutage pitsaahju rohkem kui 2 tunni jooksul pitsaahi uksega, et vältida ahju ülekuumenemist.
- ÄRGE kasutage kivi avatud leegi kohal.
- Vältige kivi äärmuslikke temperatuuri muutusi. ÄRGE asetage külmutatud toite kuumale kivile.
- Kivi on õrn ja võib puruneda, kui seda lüüakse või visatakse maha.
- Kivi on kasutamise ajal väga kuum ja jääb kuumaks kaua pärast kasutamist.
- ÄRGE jahutage kivi veega, kui kivi on kuum.
- Pärast kivi veega puhastamist kuivatage kivi enne kasutamist. Seda saab teha tavalises ahjus temperatuuril 60 °C (140°F) 2 tunni jooksul.
- Hoidke pitsaahju kivi kuivas ja soojas kohas.
- Pitsaahi kivi on kuluv osa ja ei kuulu garantiisse.
- Lase pitsaahjul jahtuda enne liikumist, puhastamist või ladustamist.
- Pitsaahi ust ei tohi kasutada lõhenevate materjalide läheduses küpsetamise ajal. (Naftapõhised tooted, lahustid või mis tahes muu tahke objekt, mis kannab süttimise hoiatusmärki.)
- Katke pitsaahi ainult siis, kui see on jahtunud.

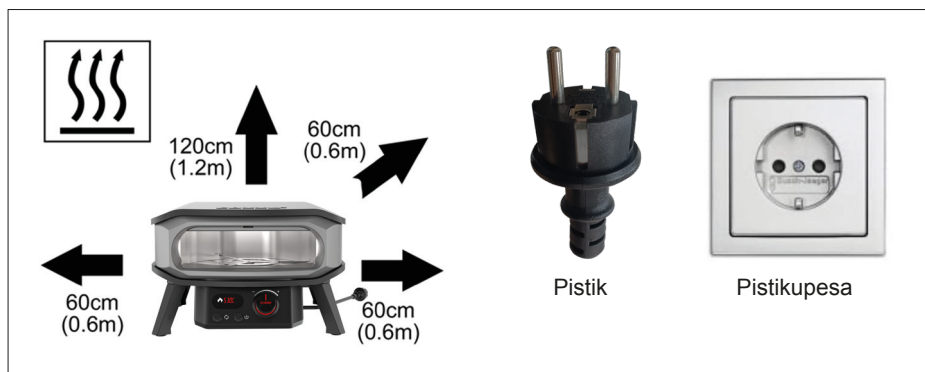
1.2 Paigaldus ja kokkupanek

HOIATUS

- See pitsaahi mudel on mõeldud ainult vaba seisuga kasutamiseks tasasel pinnal.
- Lugege järgmised juhised hoolikalt läbi ja veenduge, et teie pitsaahi on õigesti paigaldatud, kokku pandud ja hooldatud. Juhiste mittenoetekohtane järgimine võib põhjustada tõsisid kehavigastusi ja/või varakahjustusi.

HOIATUS

- Kinnitage, et pitsaahju kasutamise ja/või isiklike vigastuste riski vähendamiseks ei kasutata pikendusjuhet, välja arvatud juhul, kui see vastab kasutusjuhendis toodud spetsifikatsioonidele.
- Kui pikendusjuhe on vajalik, tuleb see ühendada maandatud pistikupesaga. Kasutage ainult 14-gauge kaablit, millel on maandatud pistik ja mis sobib pitsaahju kasutamiseks. Pikendusjuhe maksimaalne pikkus on 4 meetrit. Hoidke pikendusjuhe võimalikult lühikesena. Kontrollige pikendusjuhet enne kasutamist ja asendage, kui see on kahjustatud.
- Veenduge, et juhe ei kujutaks endast komistamisohu ohtu.
- Hoidke ühendusi kuivana.
- Pitsaahi uks on mobiilne uks teie pitsaahjule. Selle pitsaahju ukse kasutamine kuumutamise ajal võib lühendada kuumutamise aega 20-30%.
- Pitsaahi ust tuleb kasutada eemal süttivatest materjalidest.
- Pitsaahi ust ei tohi asetada süttivale pinnale, kuni see on külm.
- Ärge asetage pitsaahi ust pitsaahju peale küpsetamise ajal.
- ÄRGE jätke ohtlikke esemeid, nagu tulemasin või süütamisvedelik, oma pitsaahi ukse lähedusse. Pitsaahi uks kiirgab pärast kasutamist soojust igas suunas.
- Järgige kõiki kohalikke seadusi ja määrusi, kui kasutate seda pitsaahju.
- Kui teil on küsimusi kokkupaneku või töö kohta, konsulteerige oma edasimüüjaga.
- Soovitav on kasutada kaitsekindaid eriti kuumade komponentide käsitlemisel.
- Tootja või tema agendi poolt suletud osi ei tohi kasutaja käsitseda.
- KLIENTI MÄRKUS: Hoidke see käsiraamat tulevasteks viideteks.



2. Toote omadused



A: LED ekraan toimib digitaalse termomeetrina, mis kuvab ahju kambrite temperatuuri, kuni seatud temperatuur on saavutatud. See tagab täpse ja õige temperatuuri näidu teie pitsaahjus.

B: Kontrollnupp on lihtne kasutada. Vajutage, et seade sisse või välja lülitada. Pöörake päripäeva, et tõsta soovitud temperatuuri või vastupäeva, et vähendada soovitud temperatuuri. Vajutage nuppu kolm sekundit, et lülitada °F või °C vahele.

C: Pöörlemismootori nupp juhib pöörleva resti avamist ja sulgemist.

D: Peamine toitenupp juhib pitsaahju sisse- ja väljalülitamist.

E: Pitsaahi uks, mida kasutatakse nii ahju eeltöötlemisel kui ka pitsa küpsetamisel.



HOIATUS

Kõrge temperatuur

HOIATUS!

ÄRGE PUUDUTAGE KEHA, ÜLEMIST
PANEELI VÕI SOOJUSKEELE
KASUTAMISE AEG. KÄTTESAADAVALD
OSAAD VÕIVAD OLLA VÄGA KUUMAD.

KASUTUSEKS VALMISTUMINE

Järgige neid juhiseid hoolikalt, et vältida tõsist kahjustamist teie pitsaahjule ja vältida vigastusi endale ja varale.

1. Koguge pitsaahi ja pitsaahi uks järgides hoolikalt kokkupaneku juhiseid.
2. Ühendage pitsaahi toitepistikuga, mis on välja lülitatud, vajutage peamist toitenuppu (D), et pitsaahi sisse lülitada, vajutage kontrollnuppu, et ekraan tööle hakkaks, ekraan kuvab ahju kambrite temperatuuri. Vajutage nuppu (C), et alustada pöörlevat funktsiooni.
3. Pidage meeles, et pärast kasutamist tõmmake toitepistik välja.

KONTROLLNUPPU FUNKTSIOONID

- Vajutage nuppu, et siseneda sisse lülitatud olekusse ja kuvada temperatuuri
- Pöörake päripäeva, et tõsta soovitud temperatuuri või vastupäeva, et vähendada soovitud temperatuuri.
- Vajutage nuppu kolm sekundit, et vahetada °F või °C.
- Temperatuuri seadistamine: Kui olete pööranud kontrollnuppu soovitud temperatuuri seadmiseks, vabastage kontrollnupp ja ekraan vilgub 3 korda, et kinnitada seatud temperatuur. Pitsaahi hakkab nüüd soojenema, kuni saavutab seatud temperatuuri. Ekraan näitab edenemist alates praegusest temperatuurist, kuni see saavutab seatud temperatuuri. Pange tähele, et ekraanil kuvatav temperatuur on seatud temperatuur, kui toit asetatakse küpsetuspinnale, siis toidu külmumine muudab küpsetuspinna temperatuuri madalamaks. Ekraan näitab endiselt seatud temperatuuri, mille olete seadnud, ja soojeneb, kuni see saavutab seatud temperatuuri.
- Vajutage nuppu, et välja lülitada.
- Tõmmake toitepistik toitepistikust välja, kui te ei kasuta ahju.

KESKKONNAOLUD

- Ahju kasutamine külmemas kliimas või kõrgemal kõrgusel pikendab küpsetusaega.
- Püsiv tuul alandab pitsaahju sisetemperatuuri.
- Küpsetuspinnad on kergesti vahetatavad.

3. Ladustamine

- Alati laske pitsaahjul enne ladustamist jahtuda.
- Alati tõmmake pistik välja, tõmmates pistiku, mitte kaablit.
- Katke pitsaahi ainult siis, kui see on jahtunud.
- Alati hoidke kaetud pitsaahi sooja ja kuiva koha peal.

4. Puhastus ja hooldus

HOIATUS: Kõik puhastus- ja hooldustööd tuleks teha, kui pitsaahi on jahtunud ja toitepistik on toitepistikust välja tõmmatud. Pitsaahi "põletamine" iga kasutamise järel (umbes 15 minutit) hoiab liigse toidu jäägi minimaalsena. Soovitame puhastada ja hooldada pitsaahju vähemalt kord kuus, et pikendada pitsaahju eluiga ja vähendada probleemide tekkimise võimalust.

5. Puhastus

- Lase pitsaahjul jahtuda enne, kui hakkad seda puhastama.
- Ärge kasutage pitsaahi puhastamiseks kõrgsurveauru seadmeid ega veepihusti.

VÄLISPIND

- Kasutage õrna puhastusvahendi või söögisooda ja kuuma vee lahust. Kõrge määrdumise korral saab kasutada abrasiivset puhastuspulbrit, seejärel loputage veega.

PLASTIKPINNAD

- Puhastage pehme lapiga ja kuuma seebivee lahusega. Loputage veega. Ärge kasutage abrasiivseid puhastusvahendeid, rasvaemaldajaid ega kontsentreeritud grillipuhastusvahendeid plastosadel.

PITSA KIVI

- Kasutage COZZE traatharja, et eemaldada järelejäänud jäägid pärast "põletamise" protsessi. Kui vajalik, võib külma kivi loputada veega. Veenduge, et kivi oleks enne järgmist kasutamist täielikult kuivanud.

6. Seadme tagastamine paranduseks, teeninduseks ja garantii puhul

- Ärge muutke pitsaahju. See võib muuta pitsaahi ebaturvaliseks. Kõik muudatused tühistavad garantii.
- Kui te ei suuda viga parandada nende juhiste järgi, võtke ühendust oma kohaliku edasimüüjaga nõuannete, kontrolli või parandamise juhiste saamiseks.
- Palun hoidke kõik makse tõendid ja paigaldustunnistus garantii eesmärgil, kui neid ei saa esitada, siis kõik garantiid loetakse tühistatuks.

7. Küpsetage täiuslik pitsa oma Cozze pitsaahjuga

Küpsetage täiuslik pitsa oma Cozze pitsaahjuga!

Kuidas kasutada oma pitsaahju:

1. Kuumutage korralikult:

- Käivitage ahi ja kuumutage vähemalt 20 minutit, et kivi jõuaks 400°C-ni (kasutage täpsuse tagamiseks Cozze infrapunatermomeetrit).

2. Küpsetage oma pitsa:

- Asetage oma pitsa kuumale, pöörlevale kivile kasutades labidat.
- Keerake temperatuur madalamaks küpsetamise ajal, et hoida koorik krõbe ilma, et see põleks.

3. Pitsade vahel:

- Korrigeerige kuumus maksimaalseks 5 minutiks, et kivi uuesti kuumutada, seejärel korrake protsessi.

4. Serveeri ja naudi:

- Eemaldage pitsa, laske veidi jahtuda, lõigake tükkideks ja nautige.

Cozze'iga on iga pitsõhtu meistriteos.

Bon appétit!

8. Üldine Cozze garantii

Cozze pakub kõigile toodetele 2-aastast garantiid.

Ülaltoodud garantii kehtib järgmistel tingimustel:

- Cozze toode on kasutatud vastavalt kasutusjuhendi juhistele.
- Cozze toodet ei ole muudetud.
- Cozze toode on õigesti kokkupandud vastavalt määrustele.
- Cozze toodet hooldatakse ja puhastatakse regulaarselt vastavalt kasutusjuhendile.
- Cozze toode tuleb mittekasutamise ajal katta kattega.
- Cozze talvise hoiustamise tingimused: Kõik puidust osad, pitsa kivid ja Cozze tarvikud tuleb talveks hoiustada siseruumides.
- Cozze toode on, kui see on kohaldatav, ühendatud õige tüüpi gaasi või elektriga.
- Cozze toode on asetatud tasasele ja ohutule pinnale.
- Cozze tootel ei ole paigaldatud mitteoriginaalseid Cozze osi.
- Cozze toodet ei tohiks hoida tahkete komponentidena lähedal meres, klooritud basseini või mullivanni juures.
- Cozze toodet kasutatakse ainult eraotstarbel.

Garantii ei kata järgmisi Cozze tooteid, mis on defektsed, kahjustatud või muul viisil halvenenud järgmiste põhjuste tõttu:

- Eeldatav kulumine ja kahjustumine normaalses kasutuses
- Vandalism
- Ebatavalised ilmastikutingimused, nagu rahetormid, tornaadod, tsunaamid, maavärinad või tugevad tormid
- Muud keskkonnatingimused, nagu happeline vihm, kloor/sool õhus ja muud keskkonnatingimused.

SÄHKÖKÄYTTÖINEN PIZZAUUNI

FI - Käyttöohjeet

Lue ja noudata näitä ohjeita auttaaksesi varmistamaan turvallisuuden ja estämään omaisuusvahinkoja.

VAROITUS: Ilmaisee vaarallisen tilanteen, joka, jos sitä ei vältetä, voi johtaa lievään tai kohtuulliseen vammaan.

HUOMAUTUS: Ilmaisee vaarallisen tilanteen, joka, jos sitä ei vältetä, voi johtaa kuolemaan tai vakavaan vammaan.

VAARA: Ilmaisee vaarallisen tilanteen, joka, jos sitä ei vältetä, johtaa kuolemaan tai vakavaan vammaan.

VAROITUS!

Lue tämä ohje huolellisesti ja varmista, että pizzauunisi on asennettu, koottu, huollettu ja palveltu näiden ohjeiden mukaisesti. Näiden ohjeiden noudattamatta jättäminen voi johtaa vakaviin henkilövammiin ja/tai omaisuusvahinkoihin.

Jos sinulla on kysyttävää tämän pizzauunin kokoamisesta tai käytöstä, ota yhteyttä jälleenmyyjääsi.

Huomautuksia käyttäjälle:

TÄMÄ PIZZAUUNI ON AINOASTAAN KOTITALOUKSILLE TARKOITETTU. LUE OHJEET ENNEN LAITTEEN KÄYTTÖÄ.

VAROITUS: SAATAVILLA OLEVAT OSAT VOIVAT OLLA Erittäin KUUMIA, PIDÄ NUORET LAPSET POIS.

ÄLÄ SIIRRÄ LAITETTA KOKKAAMISEN AIKANA. SÄILYTTÄÄ KÄYTTÖOHJE TULEVAA VIITTAUSTA VARTEN. KUVAT OVAT VAIN VIITTAUKSEKSI.

SÄHKÖKÄYTTÖINEN PIZZAUUNI			
90446 (13 INCH)		90448 (17 INCH)	
220-240 V~ 50-60 Hz	2200 W	220-240 V~ 50-60 Hz	2200 W
IPX4	Net weight: 21.8 kg	IPX4	Net weight: 26.4 kg
Millarco International A/S Rokhøj 26, 8520 Lystrup, Denmark www.millarco.com www.cozzebbq.com millarco@millarco.com			



Älä hävitä sähkölaitteita lajittelemattomana kuntajätteenä, käytä erillisiä keräysmahdollisuuksia. Ota yhteyttä paikalliseen viranomaiseen saadaksesi tietoa käytettävissä olevista keräysjärjestelmistä. Jos sähkölaitteet hävitetään kaatopaikoilla tai kaatopaikoilla, haitalliset aineet voivat päästää maaperään ja päätyä ruokaketjuun, vahingoittaen terveyttäsi ja hyvinvointiasi.

1.1 Käyttö

VAARA

- Käytä pizzauunia hyvin ilmastoidussa tilassa.
- Älä käytä hiiltä, brikettejä, nestemäistä polttoainetta tai laavakiveä pizzauunissa.

VAROITUS

- Käytä vain tässä käyttöohjeessa kuvattuja toimintoja. Väärinkäyttö voi aiheuttaa tulipalon, sähköiskun tai vammoja.
- Tämä pizzauuni tulee liittää maadoitettuun pistorasiaan.
- Tämä pizzauuni tulee liittää vikavirtasuojakytkimeen (RCD), jonka nimellisvirran ylivuoto ei ylitä 30 mA.
- Älä käytä pizzauunia, jos pistorasia on vaurioitunut.
- Jos virtajohto on vaurioitunut, se tulee vaihtaa valmistajan, huoltoedustajan tai vastaavasti pätevän henkilön toimesta vaaran välttämiseksi.
- Irrota aina pistoke vetämällä pistokkeesta. Älä vedä johdosta.
- Älä käytä pizzauunia 3 metrin säteellä vedestä, kuten altaasta tai lammikosta.
- Älä käytä pizzauunia 60 cm etäisyydellä syttyvistä materiaaleista. Minimietäisyydet ovat: Pizzauunin yläpuolelta 1,2 m, takaa ja sivuilta 60 cm (katso kuva).
- Pidä keittoalue vapaana syttyvistä höyryistä ja nesteistä, kuten bensiinistä, alkoholista jne., ja syttyvistä/itsesyttävistä materiaaleista.
- Jos rasvasytytymys tapahtuu, sulje kansi, käännä virta pois päältä, irrota pizzauuni pistorasiasta ja jätä kansi kiinni, kunnes tuli sammuu. Älä käytä nestettä liekkien sammuttamiseen.
- Saavutettavat osat voivat olla erittäin kuumia. Pidä nuoret lapset ja lemmikit poissa.
- VAROITUS: Pizzauuni ja sen saavutettavat osat kuumenevat käytön aikana. Varo koskettamasta lämmityselementtejä.
- Tätä pizzauunia voivat käyttää 8 vuotta täyttäneet lapset ja henkilöt, joilla on rajoitettu fyysinen, aistillinen tai henkinen kyky, tai puutteellinen kokemus ja tieto, jos he saavat valvontaa tai ohjausta pizzauunin turvallisesta käytöstä ja ymmärtävät siihen liittyvät vaarat. Lapset eivät saa leikkiä pizzauunilla. Siivousta ja huoltoa ei saa tehdä lapsilla ilman valvontaa.
- Alle 8-vuotiaat lapset tulee pitää poissa, ellei heitä valvota jatkuvasti.
- Alkoholin, reseptilääkkeiden, reseptivapaiden lääkkeiden tai huumeiden käyttö voi heikentää kuluttajan kykyä koota, liikkua, säilyttää tai käyttää pizzauunia oikein ja turvallisesti.
- Ohjeet henkilöille (mukaan lukien lapset), joilla on rajoitettu fyysinen, aistillinen tai henkinen kyky tai puutteellinen kokemus ja tieto, eivät ole sovellettavissa.
- Älä jätä pizzauunia valvomatta esilämmityksen tai käytön aikana. Käytä varovaisuutta pizzauunia käyttäessäsi.
- Älä siirrä pizzauunia käytön aikana.
- Pidä sähköjohdot erillään kuumilta pinnoilta. Noudata johdon hallinnan ohjeita.
- Sijoita virtajohto pois liikennealueilta. Aseta johto niin, ettei sitä vedetä tai kompastuta siihen.
- Älä käytä pizzauunia, jos se putoaa tai toimii viallisesti millään tavalla.
- Hiiltä tai vastaavia syttyviä polttoaineita ei saa käyttää tämän pizzauunin kanssa.
- Pizzauuni on liitettävä maadoitettuun pistorasiaan.

- Virtajohto tulee tarkastaa säännöllisesti vaurioiden varalta, eikä pizzauunia saa käyttää, jos johto on vaurioitunut.
- Sähköiskun suojaamiseksi älä upota johtoja, pistokkeita, antureita tai pizzauunia veteen tai muihin nesteisiin.
- Sähköiskun estämiseksi älä ruiskuta nestettä pizzauunin sisälle.
- Käytä pizzauunia vain tasaisella, lämmönkestävällä pinnalla.
- Käytä lämmönkestäviä käsiineitä pizzauunia käyttäessäsi.

VAROITUS

- Kun liität pizzauunin virtalähteeseen, varmista, että jännite vastaa pizzauunin tarrassa olevaa jännitearvoa.
- Älä ylitä sähköpistorasian teholuokitusta.
- Älä käytä pizzauunia missään ajoneuvossa tai ajoneuvon varasto- tai lastitiloissa. Tämä koskee muun muassa, mutta ei rajoitu, autoja, rekkoja, farmariautoja, minibusseja, maastoautoja, asuntoautoja, vaunuja ja veneitä.
- Asennuksen aikana: älä aseta uunia pinnoille tai lähelle seiniä, väliseiniä tai keittiökalusteita, ellei niitä ole valmistettu ei-syttyvistä materiaaleista tai päällystetty ei-syttyvällä lämpöeristysmateriaalilla, ja kiinnitä huomiota paloturvallisuusmääräyksiin.
- Älä käytä pizzauunia pizzauunin oven kanssa yli 2 tuntia estääksesi uunin ylikuumentumisen.
- ÄLÄ käytä kiveä avoimella tulella.
- Vältä äkillisiä lämpötilanmuutoksia kivelle. ÄLÄ aseta jäätyneitä ruokia kuumalle kivelle.
- Kivi on herkkä ja voi murtua, jos se kolhiutuu tai putoaa.
- Kivi on erittäin kuuma käytön aikana ja pysyy kuumana pitkään käytön jälkeen.
- ÄLÄ jäähdytä kiveä vedellä, kun kivi on kuuma.
- Puhdista kivi vedellä ja kuivaa se ennen käyttöä. Tämä voidaan tehdä tavallisessa uunissa 60 °C:ssa (140 °F) 2 tuntia.
- Säilytä pizzakivihylly kuivassa ja lämpimässä paikassa.
- Pizzakivi on kulutustavara eikä sitä ole peitetty takuun avulla.
- Anna pizzauunin jäähtyä ennen sen siirtämistä, puhdistamista tai säilytystä.
- Pizzauunin ovea ei saa käyttää syttyvien materiaalien läheisyydessä kypsennyksen aikana (kivimäiset tuotteet, liuottimet tai muut kiinteät esineet, joilla on syttyvyyshälytysmerkintä).
- Peitä pizzauuni vain, kun se on jäähtynyt.

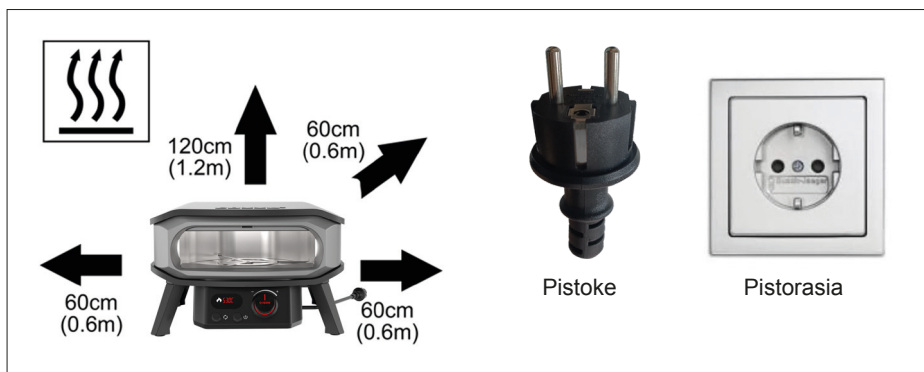
1.2 Asennus ja kokoaminen

VAROITUS

- Tämä pizzauunimalli on tarkoitettu vain seisovaksi käytettäväksi tasaisella pinnalla.
- Lue seuraavat ohjeet huolellisesti ja varmista, että pizzauunisi on oikein asennettu, koottu ja huollettu. Näiden ohjeiden noudattamatta jättäminen voi aiheuttaa vakavia henkilövammoja ja/tai omaisuusvahinkoja.

VAROITUS

- Vähentääksesi omaisuusvahinkojen ja/tai henkilövammojen riskiä, älä käytä jatkojohdon virtajohtoa, ellei se vastaa tässä käyttöohjeessa mainittuja eritelmiä.
- Jos jatkojohdon käyttö on välttämätöntä, se on liitettävä maadoitettuun pistorasiaan. Käytä vain 14-mittaista johtoa, jossa on maadoitettu pistoke, joka soveltuu käytettäväksi pizzauunin kanssa. Jatkojohdon enimmäispituus on 4 metriä. Pidä jatkojohto mahdollisimman lyhyenä. Tarkasta jatkojohto ennen käyttöä ja vaihda, jos se on vaurioitunut.
- Varmista, ettei johto aiheuta kompastumisvaaraa.
- Pidä liitännät kuivina.
- Pizzauunin ovi on liikkuva ovi pizzauunillesi. Tämän pizzauunin oven käyttö lämmityksen aikana voi lyhentää lämmitysaikaa 20-30 %.
- Pizzauunin ovea tulee pitää poissa syttyvistä materiaaleista käytön aikana.
- Pizzauunin ovea ei saa asettaa syttyvälle pinnalle ennen kuin se on jäähtynyt.
- Älä aseta pizzauunin ovea pizzauunin päälle kypsennyksen aikana.
- ÄLÄ jätä vaarallisia esineitä, kuten sytyttämiä tai sytytysnesteitä pizzauunin oven viereen. Pizzauunin ovi säteilee lämpöä kaikkiin suuntiin käytön jälkeen.
- Noudata kaikkia paikallisia lakeja ja määräyksiä tätä pizzauunia käyttäessäsi.
- Jos sinulla on kysyttävää kokoamisesta tai käytöstä, ota yhteyttä jälleenmyyjääsi.
- Suositellaan käytettäväksi suojakäsineitä erityisen kuumien osien käsittelemisessä.
- Valmistajan tai hänen edustajansa tiivistämät osat eivät saa olla käyttäjän käsiteltävissä.
- HUOMAUTUS KULUTTAJALLE: Säilytä tämä käyttöohje tulevaa käyttöä varten.



2. Tuotteen ominaisuudet



A: LED-näyttö toimii digitaalisena lämpömittarina, joka näyttää uunin sisälämpötilan, kunnes asetettu lämpötila saavutetaan. Tämä varmistaa tarkan ja tarkan lämpötilalukeman pizzauunille.

B: Säätonappi on helppokäyttöinen. Paina kytkeäksesi laitteen päälle tai pois päältä. Kierrä myötäpäivään lisätäksesi halutun lämpötilan tai vastapäivään vähentääksesi haluttua lämpötilaa. Pidä nappia painettuna kolmen sekunnin ajan vaihtaaksesi °F ja °C välillä.

C: Pyörivän moottorin painike ohjaa pyörivän hyllyn avaamista ja sulkemista.

D: Päävirta-kykintä ohjaa pizzauunin virran päälle ja pois päältä.

E: Pizzauunin ovi, jota käytetään sekä esilämmityksessä että pizzan paistamisen aikana.



VAROITUS
KORKEA LÄMPÖTILA

VAROITUS!

ÄLÄ KOSKE KORPUSSAAN,
YLÄPANEELIIN TAI LÄMMÖN
KÄYTTÖKIELEEN KÄYTÖN AIKANA.
SAAVUTETTAVISSA OLEVAT OSAT
VOIVAT OLLA Erittäin KUUMIA.

VALMISTAUTUMINEN KÄYTTÖÖN

Noudata näitä ohjeita huolellisesti, jotta vältät vakavan vahingon pizzauunillesi ja itsellesi sekä omaisuudelle.

1. Kokoa pizzauuni ja pizzauunin ovi noudattamalla kokoamisohjeita huolellisesti.
2. Liitä pizzauuni virtapistorasiaan, joka on pois päältä, paina päävirtapainiketta (D) kytkeäksesi pizzauunin päälle, paina säätönuppia, jotta näyttö alkaa toimia, näyttö näyttää uunin sisälämpötilan. Paina painiketta (C) käynnistääksesi pyörimisfunktion.
3. Muista vetää virtajohto irti käytön jälkeen.

SÄÄTÖNAPIN TOIMINNOT

- Paina nappia siirtyäksesi virran päälle -tilaan ja näyttääksesi lämpötilan.
- Kierrä myötäpäivään lisätäksesi halutun lämpötilan tai vastapäivään vähentääksesi haluttua lämpötilaa.
- Pidä nappia painettuna kolmen sekunnin ajan vaihtaaksesi °F ja °C välillä.
- Lämpötilan asetus: Kun olet kääntänyt säätönupin asetettuasi halutun lämpötilan, vapauta säätönuppi ja näyttö vilkkuu 3 kertaa vahvistaakseen asetetun lämpötilan. Pizzauuni alkaa nyt lämmitä, kunnes se saavuttaa asetetun lämpötilan. Näyttö näyttää edistymisen nykyisestä lämpötilasta asetettuun lämpötilaan. Huomaa, että näytöllä näkyvä lämpötila on asetettu lämpötila, ja kun ruokaa asetetaan kypsennysalustalle, kypsennysalustan lämpötila laskee ruoan ollessa kylmää. Näyttö näyttää edelleen asetetun lämpötilan, ja se lämpiää, kunnes se saavuttaa asetetun lämpötilan.
- Paina nappia sammuttaaksesi virran.
- Vedä virtajohto pistorasiasista, kun et käytä uunia.

YMPÄRISTÖOLOSUHTEET

- Uunin käyttäminen kylmemmässä ilmastossa tai korkeammalla merenpinnasta pidentää kypsennysaikaa.
- Pitkäaikainen tuuli alentaa pizzauunin sisälämpötilaa.
- Kypsennysalustat ovat helposti vaihdettavissa.

3. Säilytys

- Anna pizzauunin aina jäähtyä ennen säilytystä.
- Vedä aina pistoke irti, älä vedä johdosta.
- Peitä pizzauuni vasta, kun se on jäähtynyt.
- Säilytä aina peitetty pizzauuni lämpimässä ja kuivassa paikassa..

4. Puhdistus ja huolto

VAROITUS: Kaikki puhdistus ja huolto tulisi suorittaa, kun pizzauuni on jäähtynyt ja virtapistoke on irrotettu pistorasiasista. Pizzauunin "polttaminen" käytön jälkeen (noin 15 minuutin ajan) vähentää liiallisen ruokajäämän kertymistä. On suositeltavaa puhdistaa ja huoltaa pizzauunia vähintään kerran kuukaudessa, jotta sen käyttöikä pitenee ja ongelmien mahdollisuus vähenee.

5. Puhdistus

- Anna pizzauunin jäähtyä ennen puhdistamista.
- Älä käytä korkeapaineista höyrylaitteistoa tai vesiruiskua pizzauunin puhdistamiseen.

ULKOPINTA

- Käytä mietoa pesuainetta tai leivinjauhetta ja kuuman veden liuosta. Pinttyneille tahroille voi käyttää ei-hankaavaa puhdistuspulveria ja huuhdella vedellä.

MUOVIPINNAT

- Pese pehmeällä liinalla ja kuumalla saippuavedellä. Huuhtelee vedellä. Älä käytä hankaavia puhdistusaineita, rasvanpoistajia tai tiivistettyjä grilli puhdistusaineita muoviosille.

PIZZAKIVI

- Käytä COZZE-langasharjaa poistaaksesi jäljelle jääneet jäämät "polttamisen" jälkeen. Tarvittaessa kylmää kiveä voi huuhdella vedellä. Varmista, että kivi on täysin kuiva ennen seuraavaa käyttöä.

6. Laitteen palautus korjaukseen, huoltoon ja takuuseen

- Älä muokkaa pizzauunia. Tämä voi tehdä pizzauunista epäturvallisen. Kaikki muokkaukset tekevät takuusta mitättömän.
- Jos et pysty korjaamaan vikaa näitä ohjeita noudattamalla, ota yhteyttä paikalliseen jälleenmyyjääsi saadaksesi neuvoja, tarkastus- tai korjausohjeita.
- Säilytä kaikki maksutositteet ja asennustodistus takuun todistamiseksi. Jos näitä ei voida toimittaa, kaikki takuut katsotaan mitättömiksi.

7. Paista täydellinen pizza Cozze-pizzauunilla

Esilämmitä Cozze-pizzauuni noin 400°C:een. Korkea lämpö on salaisuus täydelliseen pizzaan!

Miten käyttää pizzauunia:

1. Esilämmitä huolellisesti:

- Liitä uuni ja esilämmitä se vähintään 20 minuuttia varmistaaksesi, että kivi saavuttaa 400°C (käytä Cozze-infrapunasäilytintä tarkkuutta varten).

2. Paista pizzasi:

- Aseta pizza kuumalle, pyörivälle kivelle kauhan avulla.
- Säädä lämpötila alhaiseksi paistamisen aikana, jotta kuori pysyy rapeana ilman, että se palaa.

3. Pizzan välillä:

- Uusia pizzoja varten nosta lämpötila maksimiin 5 minuutiksi lämmittääksesi kiven uudelleen ja toista prosessi.

4. Tarjoile ja nauti:

- Poista pizza, anna sen jäähtyä hieman, viipaloi ja nauti.

Cozzen kanssa jokainen pizzailta on mestariteos. Hyvää ruokahalua!

8. Yleinen Cozze-takuu

Cozze tarjoaa 2 vuoden takuun kaikille tuotteilleen. Edellä mainittu takuu on seuraavien ehtojen alainen:

- Cozze-tuotetta käytetään käyttöohjeiden mukaisesti.
- Cozze-tuotetta ei ole muokattu.
- Cozze-tuote on oikein koottu sääntöjen mukaan.
- Cozze-tuotetta huolletaan ja puhdistetaan säännöllisesti käyttöohjeiden mukaisesti.
- Cozze-tuote säilytetään peitettynä, kun sitä ei käytetä.
- Cozze-talvisäilytys: Kaikki Cozzen puuosat, pizzakivet ja lisävarusteet tulee säilyttää sisätiloissa talvella.
- Cozze-tuote on, tarvittaessa, liitetty oikeanlaiseen kaasuun tai sähkөөn.
- Cozze-tuote on asetettu tasaiselle ja turvalliselle pinnalle.
- Cozze-tuotteessa ei ole käytetty ei-alkuperäisiä Cozze-osia.
- Cozze-tuotetta ei tulisi säilyttää kiinteänä osana lähellä merta, kloorattuja uima-altaita tai porealtaita.
- Cozze-tuotetta käytetään vain yksityiskäyttöön.

Takuu ei kata. Cozze-tuotteet, jotka ovat viallisia, vaurioituneita tai muuten heikentyneitä seuraavista syistä:

- Normaali kuluminen tavanomaisessa käytössä
- Vandalismi
- Epätavallinen sää, kuten rakeet, myrskyt, tornadoet, tsunamit, maanjäristykset tai rankkasateet
- Muut ympäristöolosuhteet, kuten happosateet, kloori/suola ilmassa ja muut ympäristöolosuhteet.

ΗΛΕΚΤΡΙΚΟΣ ΦΟΥΡΝΟΣ ΠΙΤΣΑΣ

GR - Εγχειρίδιο Χρήσης

Διαβάστε και ακολουθήστε αυτές τις δηλώσεις για να βοηθήσετε στην εξασφάλιση της ασφάλειας και να προλάβετε ζημιές στην περιουσία.

ΠΡΟΣΟΧΗ: Υποδεικνύει μια επικίνδυνη κατάσταση που, αν δεν αποφευχθεί, μπορεί να οδηγήσει σε μικρό ή μέτριο τραυματισμό.

ΠΡΟΕΙΔΟΠΟΙΗΣΗ: Υποδεικνύει μια επικίνδυνη κατάσταση που, αν δεν αποφευχθεί, μπορεί να οδηγήσει σε θάνατο ή σοβαρό τραυματισμό.

ΚΙΝΔΥΝΟΣ: Υποδεικνύει μια επικίνδυνη κατάσταση που, αν δεν αποφευχθεί, θα οδηγήσει σε θάνατο ή σοβαρό τραυματισμό.

ΠΡΟΕΙΔΟΠΟΙΗΣΗ!

Διαβάστε προσεκτικά αυτές τις οδηγίες και βεβαιωθείτε ότι ο φούρνος πίτσας σας είναι σωστά εγκατεστημένος, συναρμολογημένος, συντηρημένος και επισκευασμένος σύμφωνα με αυτές τις οδηγίες. Η αποτυχία να ακολουθήσετε αυτές τις οδηγίες μπορεί να οδηγήσει σε σοβαρούς σωματικούς τραυματισμούς και/ή ζημιές στην περιουσία.

Εάν έχετε οποιοσδήποτε απορίες σχετικά με τη συναρμολόγηση ή τη λειτουργία αυτού του φούρνου πίτσας, παρακαλούμε να συμβουλευτείτε τον έμπορό σας.

Σημειώσεις προς τον χρήστη:

ΑΥΤΟΣ Ο ΦΟΥΡΝΟΣ ΠΙΤΣΑΣ ΕΙΝΑΙ ΓΙΑ ΟΙΚΙΑΚΗ ΧΡΗΣΗ ΜΟΝΟ. ΔΙΑΒΑΣΤΕ ΤΙΣ ΟΔΗΓΙΕΣ ΠΡΙΝ ΧΡΗΣΙΜΟΠΟΙΗΣΕΤΕ ΤΗ ΣΣΥΣΚΕΥΗ.

ΠΡΟΕΙΔΟΠΟΙΗΣΗ: ΟΙ ΠΡΟΣΒΑΣΙΜΕΣ ΕΠΙΦΑΝΕΙΕΣ ΜΠΟΡΟΥΝ ΝΑ ΕΙΝΑΙ ΠΟΛΥ ΖΕΣΤΕΣ, ΚΡΑΤΗΣΤΕ ΤΑ ΜΙΚΡΑ ΠΑΙΔΙΑ ΜΑΚΡΙΑ.

ΜΗ ΜΕΤΑΚΙΝΗΣΕΤΕ ΤΗ ΣΥΣΚΕΥΗ ΚΑΤΑ ΤΗ ΔΙΑΡΚΕΙΑ ΤΟΥ ΜΑΓΕΙΡΕΜΑΤΟΣ. ΔΙΑΤΗΡΗΣΤΕ ΤΟ ΕΓΧΕΙΡΙΔΙΟ ΓΙΑ ΜΕΛΛΟΝΤΙΚΗ ΑΝΑΦΟΡΑ.

ΤΑ ΣΧΗΜΑΤΑ ΕΙΝΑΙ ΜΟΝΟ ΓΙΑ ΑΝΑΦΟΡΑ.

Ηλεκτρικός φούρνος πίτσας			
90446 (13 INCH)		90448(17 INCH)	
220-240 V~ 50-60 Hz	2200 W	220-240 V~ 50-60 Hz	2200 W
IPX4	Net weight: 21.8 kg	IPX4	Net weight: 26.4 kg
Millarco International A/S Rokhøj 26, 8520 Lystrup, Denmark www.millarco.com www.cozzebbq.com millarco@millarco.com			



Μην απορρίπτετε τις ηλεκτρικές συσκευές ως αταξινόμητα δημοτικά απόβλητα, χρησιμοποιείτε χωριστές εγκαταστάσεις συλλογής. Επικοινωνήστε με την τοπική σας κυβέρνηση για πληροφορίες σχετικά με τα συστήματα συλλογής που διατίθενται. Εάν οι ηλεκτρικές συσκευές απορρίπτονται σε χωματερές ή σκουπιδότοπους, επικίνδυνες ουσίες μπορεί να διαρρεύσουν στο υπόγειο νερό και να εισέλθουν στην τροφική αλυσίδα, βλάπτοντας την υγεία και την ευημερία σας.

1.1 Λειτουργία

ΚΙΝΔΥΝΟΣ

- Χρησιμοποιείτε τον φούρνο πίτσας σε καλά αεριζόμενο χώρο.
- Μην χρησιμοποιείτε ξυλάνθρακα, μπρικότες, υγρό καύσιμο ή λάβα στο φούρνο πίτσας.

ΠΡΟΕΙΔΟΠΟΙΗΣΗ

- Χρησιμοποιείτε μόνο όπως περιγράφεται σε αυτό το εγχειρίδιο χρήστη. Η κακή χρήση μπορεί να προκαλέσει φωτιά, ηλεκτροπληξία ή τραυματισμό.
- Αυτός ο φούρνος πίτσας πρέπει να συνδεθεί μόνο σε μια γειωμένη πρίζα.
- Αυτός ο φούρνος πίτσας πρέπει να τροφοδοτείται μέσω ενός συσκευής υπολειμματικού ρεύματος (RCD) με μέγιστο ρεύμα υπολειμματικής λειτουργίας που δεν υπερβαίνει τα 30 mA.
- Μην χρησιμοποιείτε τον φούρνο πίτσας αν η ηλεκτρική πρίζα είναι κατεστραμμένη.
- Εάν το καλώδιο τροφοδοσίας είναι κατεστραμμένο, πρέπει να αντικατασταθεί από τον κατασκευαστή, τον τεχνικό του ή άλλα εξειδικευμένα άτομα για να αποφευχθεί κίνδυνος.
- Πάντα αποσυνδέετε τραβώντας την πρίζα. Μην τραβάτε το καλώδιο.
- Μην χρησιμοποιείτε τον φούρνο πίτσας σε απόσταση μικρότερη από 3 μέτρα από οποιοδήποτε νερό, όπως πισίνα ή λίμνη.
- Μην χρησιμοποιείτε τον φούρνο πίτσας σε απόσταση μικρότερη από 60 cm από εύφλεκτα υλικά. Οι ελάχιστες ασφαλείς αποστάσεις είναι: Πάνω από τον φούρνο πίτσας 1,2 μέτρα. Στο πίσω μέρος και στις πλευρές 60 cm (Βλ. εικονογράφηση).
- Διατηρήστε την περιοχή μαγειρέματος καθαρή από εύφλεκτους ατμούς και υγρά, όπως βενζίνη, αλκοόλ κ.λπ., και εύφλεκτα/καύσιμα υλικά.
- Εάν συμβεί φωτιά από λίπος, κλείστε το καπάκι, απενεργοποιήστε το διακόπτη και αποσυνδέστε τον φούρνο πίτσας από την πρίζα, αφήνοντας το καπάκι κλειστό μέχρι να σβήσει η φωτιά. Μην χρησιμοποιείτε υγρό για να σβήσετε τις φλόγες.
- Οι προσβάσιμες επιφάνειες μπορεί να είναι πολύ ζεστές. Κρατήστε τα μικρά παιδιά και τα κατοικίδια μακριά.
- ΠΡΟΕΙΔΟΠΟΙΗΣΗ: Ο φούρνος πίτσας και οι προσβάσιμες επιφάνειές του γίνονται ζεστές κατά τη διάρκεια της χρήσης. Προσοχή για να αποφύγετε την επαφή με τα θερμαντικά στοιχεία.
- Αυτός ο φούρνος πίτσας μπορεί να χρησιμοποιηθεί από παιδιά ηλικίας 8 ετών και άνω καθώς και άτομα με περιορισμένες φυσικές, αισθητηριακές ή πνευματικές ικανότητες ή έλλειψη εμπειρίας και γνώσεων, εφόσον έχουν επιβλέψη ή εκπαίδευση σχετικά με τη χρήση του φούρνου πίτσας με ασφαλή τρόπο και κατανοούν τους κινδύνους που ενδέχεται να προκύψουν. Τα παιδιά δεν πρέπει να παίζουν με τον φούρνο πίτσας. Η καθαριότητα και η συντήρηση της συσκευής δεν πρέπει να πραγματοποιούνται από παιδιά χωρίς επιτήρηση.
- Τα παιδιά κάτω των 8 ετών πρέπει να κρατούνται μακριά εκτός εάν υπάρχει συνεχής επίβλεψη.
- Η χρήση αλκοόλ, συνταγογραφούμενων φαρμάκων, μη συνταγογραφούμενων φαρμάκων ή παράνομων ουσιών μπορεί να επηρεάσει την ικανότητα του χρήστη να συναρμολογήσει, μετακινήσει, αποθηκεύσει ή χρησιμοποιήσει σωστά και με ασφάλεια τον φούρνο πίτσας.
- Οι οδηγίες για άτομα (συμπεριλαμβανομένων των παιδιών) με περιορισμένες φυσικές, αισθητηριακές ή πνευματικές ικανότητες ή έλλειψη εμπειρίας και γνώσεων δεν είναι εφαρμόσιμες.
- Μην αφήνετε τον φούρνο πίτσας χωρίς επίβλεψη κατά τη διάρκεια της προθέρμανσης ή χρήσης. Εφαρμόστε προσοχή κατά τη χρήση αυτού του φούρνου πίτσας.
- Μην μετακινείτε τον φούρνο πίτσας κατά τη διάρκεια της χρήσης.
- Κρατήστε το καλώδιο τροφοδοσίας μακριά από οποιαδήποτε θερμαινόμενη επιφάνεια.

Ακολουθήστε τις οδηγίες για τη διαχείριση του καλωδίου.

- Τοποθετήστε το καλώδιο τροφοδοσίας μακριά από περιοχές με κίνηση. Τακτοποιήστε το καλώδιο έτσι ώστε να μην τραβηχτεί ή να μην προκαλέσει πτώση.
- Μην χρησιμοποιείτε τον φούρνο πίτσας εάν έχει πέσει ή έχει κάποια δυσλειτουργία.
- Ο ξυλάνθρακας ή άλλα παρόμοια καύσιμα δεν πρέπει να χρησιμοποιούνται με αυτόν τον φούρνο πίτσας.
- Ο φούρνος πίτσας πρέπει να συνδεθεί σε μια πρίζα με γειωμένο επαφές.
- Το καλώδιο τροφοδοσίας πρέπει να ελέγχεται τακτικά για σημάδια φθοράς και ο φούρνος πίτσας δεν πρέπει να χρησιμοποιείται εάν το καλώδιο είναι φθαρμένο.
- Για προστασία από ηλεκτροπληξία, μην βυθίζετε το καλώδιο, τις πρίζες, τις ανιχνευτικές συσκευές ή τον φούρνο πίτσας σε νερό ή άλλα υγρά.
- Για να αποφύγετε την ηλεκτροπληξία, μην ψεκάζετε υγρά μέσα στον φούρνο πίτσας.
- Χρησιμοποιείτε τον φούρνο πίτσας μόνο σε επίπεδη, θερμική επιφάνεια.
- Χρησιμοποιείτε γάντια ανθεκτικά στη θερμότητα κατά τη διάρκεια της χρήσης του φούρνου πίτσας.

ΠΡΟΣΟΧΗ

- Κατά την σύνδεση αυτού του φούρνου πίτσας σε πηγή ρεύματος, βεβαιωθείτε ότι η τάση τροφοδοσίας αντιστοιχεί στην τάση που αναγράφεται στην ετικέτα του φούρνου πίτσας.
- Μην υπερβαίνετε την ισχύ της ηλεκτρικής πρίζας.
- Μην χρησιμοποιείτε τον φούρνο πίτσας σε οποιοδήποτε όχημα ή σε οποιοδήποτε αποθηκευτικό ή φορτωτικό χώρο οποιουδήποτε οχήματος. Αυτό περιλαμβάνει, αλλά δεν περιορίζεται σε, αυτοκίνητα, φορτηγά, οικιακά αυτοκίνητα, μίνι βαν, SUV, κινητές κατοικίες, τροχόσπιτα και σκάφη.
- Κατά την εγκατάσταση: μην τοποθετείτε τον φούρνο σε επιφάνειες ή κοντά σε τοίχους, διαχωριστικά ή έπιπλα κουζίνας και παρόμοια – εκτός εάν είναι κατασκευασμένα από μη εύφλεκτο υλικό ή καλυμμένα με υλικό που έχει μη εύφλεκτες θερμικές μονώσεις, και προσέξτε τους κανονισμούς πυροπροστασίας.
- Μην χρησιμοποιείτε τον φούρνο πίτσας με την πόρτα του φούρνου πίτσας για περισσότερο από 2 ώρες για να αποτρέψετε την υπερθέρμανση του φούρνου.
- ΜΗΝ χρησιμοποιείτε την πέτρα πάνω σε ανοιχτή φωτιά.
- Αποφύγετε ακραίες αλλαγές θερμοκρασίας στην πέτρα. ΜΗΝ τοποθετείτε κατεψυγμένα τρόφιμα πάνω σε ζεστή πέτρα.
- Η πέτρα είναι ευαίσθητη και μπορεί να σπάσει αν χτυπηθεί ή πέσει.
- Η πέτρα είναι πολύ ζεστή κατά τη διάρκεια της χρήσης και παραμένει ζεστή για μεγάλο χρονικό διάστημα μετά τη χρήση.
- ΜΗΝ ψύχετε την πέτρα με νερό όταν είναι ζεστή.
- Μετά τον καθαρισμό της πέτρας με νερό, παρακαλούμε στεγνώστε την πέτρα πριν τη χρήση. Αυτό μπορεί να γίνει σε έναν συμβατικό φούρνο στους 60 °C (140°F) για 2 ώρες.
- Αποθηκεύστε την πέτρα πίτσας σε ξηρό και ζεστό μέρος.
- Η πέτρα πίτσας θεωρείται αναλώσιμο εξάρτημα και δεν καλύπτεται από την εγγύηση.
- Αφήστε τον φούρνο πίτσας να κρυώσει πριν τον μετακινήσετε, τον καθαρίσετε ή τον αποθηκεύσετε.
- Η πόρτα του φούρνου πίτσας δεν πρέπει να χρησιμοποιείται κοντά σε εύφλεκτα υλικά κατά το μαγείρεμα. (Προϊόντα με βάση το πετρέλαιο, διαλύτες ή οποιοδήποτε άλλο στερεό αντικείμενο που φέρει ετικέτα εύφλεκτου υλικού.)
- Καλύψτε τον φούρνο πίτσας μόνο όταν είναι κρύος.

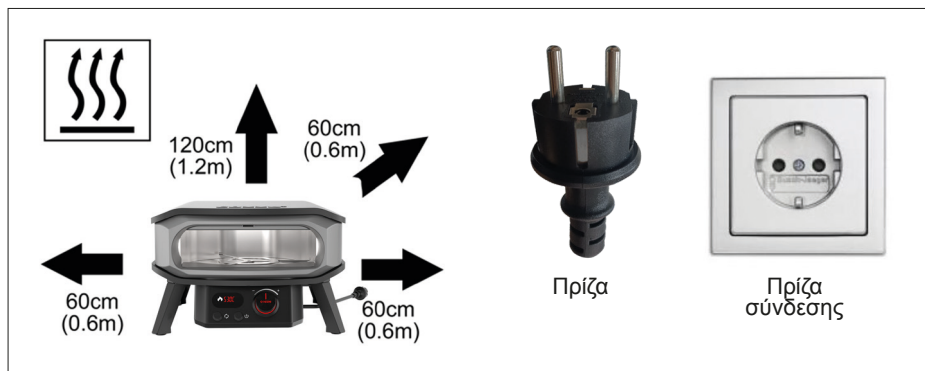
1.2 Εγκατάσταση και Συναρμολόγηση

ΠΡΟΕΙΔΟΠΟΙΗΣΗ

- Αυτό το μοντέλο φούρνου πίτσας προορίζεται μόνο για ελεύθερη τοποθέτηση σε επίπεδη επιφάνεια.
- Διαβάστε προσεκτικά τις παρακάτω οδηγίες και βεβαιωθείτε ότι ο φούρνος πίτσας σας είναι σωστά εγκατεστημένος, συναρμολογημένος και συντηρημένος. Η αποτυχία να ακολουθήσετε αυτές τις οδηγίες μπορεί να οδηγήσει σε σοβαρούς σωματικούς τραυματισμούς και/ή ζημιές στην περιουσία.

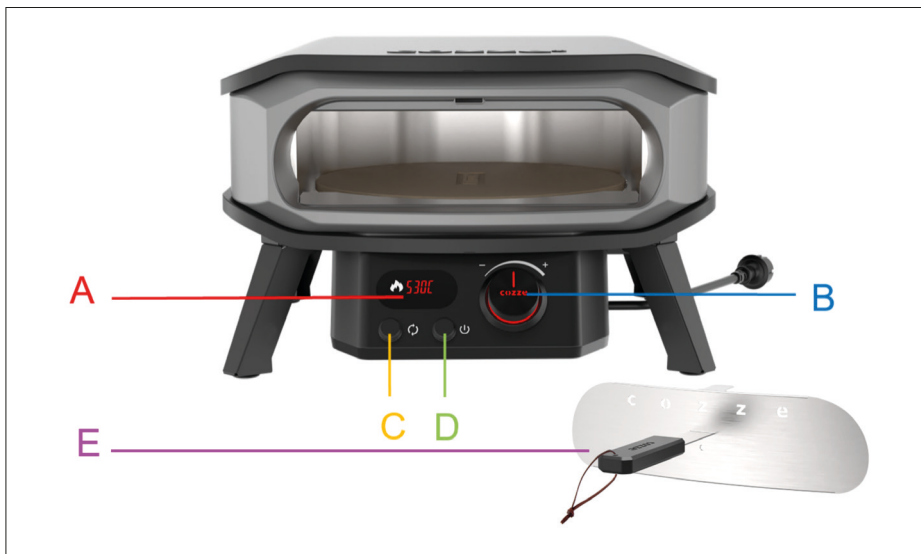
ΠΡΟΣΟΧΗ

- Για να μειώσετε τον κίνδυνο ζημιών στην περιουσία και/ή προσωπικών τραυματισμών, μην χρησιμοποιείτε καλώδιο επέκτασης αν δεν πληροί τις προδιαγραφές που αναφέρονται σε αυτό το εγχειρίδιο χρήστη.
- Εάν είναι απαραίτητο να χρησιμοποιήσετε καλώδιο επέκτασης, αυτό πρέπει να συνδεθεί σε μια γειωμένη πρίζα. Χρησιμοποιείτε μόνο καλώδιο 14 gauge με γειωμένη πρίζα, κατάλληλο για χρήση με φούρνο πίτσας. Το μέγιστο μήκος του καλωδίου επέκτασης είναι 4 μέτρα. Κρατήστε το καλώδιο επέκτασης όσο πιο κοντό γίνεται. Εξετάστε το καλώδιο επέκτασης πριν από τη χρήση και αντικαταστήστε το αν είναι φθαρμένο.
- Βεβαιωθείτε ότι το καλώδιο δεν αποτελεί κίνδυνο πτώσης.
- Διατηρήστε τις συνδέσεις στεγνές.
- Η πόρτα του φούρνου πίτσας είναι κινητή πόρτα για τον φούρνο πίτσας σας. Η χρήση αυτής της πόρτας κατά τη διάρκεια της θέρμανσης μπορεί να μειώσει τον χρόνο θέρμανσης κατά 20-30%.
- Η πόρτα του φούρνου πίτσας πρέπει να κρατείται μακριά από εύφλεκτα υλικά κατά τη διάρκεια της χρήσης.
- Η πόρτα του φούρνου πίτσας δεν πρέπει να τοποθετείται σε οποιαδήποτε εύφλεκτη επιφάνεια μέχρι να κρυώσει.
- Μην τοποθετείτε την πόρτα του φούρνου πίτσας στην κορυφή του φούρνου πίτσας κατά το μαγείρεμα.
- ΜΗΝ αφήνετε επικίνδυνα αντικείμενα, όπως αναπτήρες ή υγρά ανάφλεξης, δίπλα στην πόρτα του φούρνου πίτσας. Πράγματι, η πόρτα του φούρνου πίτσας μετά τη χρήση ακτινοβολεί θερμότητα σε όλες τις κατευθύνσεις.
- Τηρήστε όλους τους τοπικούς νόμους και κανονισμούς κατά τη χρήση αυτού του φούρνου πίτσας.
- Εάν έχετε οποιεσδήποτε απορίες σχετικά με τη συναρμολόγηση ή τη λειτουργία, συμβουλευτείτε τον έμπορό σας.



- Συνιστάται η χρήση προστατευτικών γαντιών κατά την χειρισμό ιδιαίτερα ζεστών εξαρτημάτων.
- Τα μέρη που σφραγίζονται από τον κατασκευαστή ή τον αντιπρόσωπό του δεν πρέπει να χειρίζονται από τον χρήστη.
- ΣΗΜΕΙΩΣΗ ΓΙΑ ΤΟΝ ΚΑΤΑΝΑΛΩΤΗ: Διατηρήστε αυτό το εγχειρίδιο για μελλοντική αναφορά.

2. Χαρακτηριστικά Προϊόντος



A: Η οθόνη LED λειτουργεί ως ψηφιακό θερμόμετρο, εμφανίζοντας τη θερμοκρασία της θαλάμης του φούρνου μέχρι να φτάσει η ρυθμισμένη θερμοκρασία. Αυτό εξασφαλίζει ακριβή και σωστή ένδειξη θερμοκρασίας για τον φούρνο πίτσας σας.

B: Ο ρυθμιστικός επιλογέας είναι εύκολος στη χρήση. Πατήστε για να ενεργοποιήσετε ή να απενεργοποιήσετε τη μονάδα. Γυρίστε δεξιόστροφα για να αυξήσετε τη θερμοκρασία ή γυρίστε αριστερόστροφα για να μειώσετε τη θερμοκρασία. Πατήστε το κουμπί για τρία δευτερόλεπτα για να αλλάξετε μεταξύ °F ή °C.

C: Το κουμπί του περιστρεφόμενου κινητήρα ελέγχει το άνοιγμα και το κλείσιμο της περιστρεφόμενης σχάρας.

D: Το κύριο κουμπί τροφοδοσίας ελέγχει την ενεργοποίηση και απενεργοποίηση του φούρνου πίτσας.

E: Η πόρτα του φούρνου πίτσας χρησιμοποιείται τόσο κατά την προθέρμανση του φούρνου όσο και κατά το ψήσιμο της πίτσας.



ΠΡΟΕΙΔΟΠΟΙΗΣΗ
ΥΨΗΛΗ ΘΕΡΜΟΚΡΑΣΙΑ

ΠΡΟΣΟΧΗ!

ΜΗΝ ΑΓΓΙΖΕΤΕ ΤΟ ΣΩΜΑ, ΤΟ ΠΑΝΩ ΠΑΝΕΛ Ή ΤΗ ΘΕΡΜΑΙΝΟΜΕΝΗ ΣΠΕΙΡΑ ΚΑΤΑ ΤΗ ΔΙΑΡΚΕΙΑ ΧΡΗΣΗΣ. ΟΙ ΠΡΟΣΒΑΣΙΜΕΣ ΕΠΙΦΑΝΕΙΕΣ ΜΠΟΡΟΥΝ ΝΑ ΕΙΝΑΙ ΠΟΛΥ ΖΕΣΤΕΣ.

ΠΡΟΕΤΟΙΜΑΣΙΑ ΓΙΑ ΧΡΗΣΗ

Ακολουθήστε προσεκτικά αυτές τις οδηγίες για να αποφύγετε σοβαρές ζημιές στον φούρνο πίτσας σας και τραυματισμούς σε εσάς ή σε τρίτους, καθώς και ζημιές στην περιουσία.

1. Συναρμολογήστε τον φούρνο πίτσας και την πόρτα του φούρνου πίτσας ακολουθώντας προσεκτικά τις οδηγίες συναρμολόγησης.
2. Συνδέστε τον φούρνο πίτσας σε μια πρίζα που είναι απενεργοποιημένη, πατήστε το κύριο κουμπί τροφοδοσίας (D) για να ενεργοποιήσετε τον φούρνο πίτσας, πατήστε τον ρυθμιστικό επιλογέα για να ξεκινήσει η οθόνη να λειτουργεί, η οθόνη θα δείξει τη θερμοκρασία της θαλάμης του φούρνου. Πατήστε το κουμπί (C) για να ξεκινήσει η λειτουργία περιστροφής.
3. Μην ξεχάσετε να αποσυνδέσετε το φως μετά τη χρήση.

ΛΕΙΤΟΥΡΓΙΕΣ ΚΟΥΜΠΙΩΝ ΕΛΕΓΧΟΥ

- Πατήστε τον επιλογέα για να ενεργοποιήσετε τη συσκευή και να εμφανιστεί η θερμοκρασία.
- Γυρίστε δεξιόστροφα για να αυξήσετε τη θερμοκρασία ή γυρίστε αριστερόστροφα για να μειώσετε τη θερμοκρασία.
- Πατήστε τον επιλογέα για τρία δευτερόλεπτα για να αλλάξετε μεταξύ °F ή °C.
- Ρύθμιση Θερμοκρασίας: Μόλις γυρίσετε τον επιλογέα για να ρυθμίσετε τη ζητούμενη θερμοκρασία, αφήστε τον επιλογέα και η οθόνη θα αναβοσβήσει 3 φορές για να επιβεβαιώσει τη ρυθμισμένη θερμοκρασία. Ο φούρνος πίτσας θα αρχίσει τώρα να θερμαίνεται μέχρι να φτάσει στην επιθυμητή θερμοκρασία. Η οθόνη θα δείχνει την πρόοδο από τη τρέχουσα θερμοκρασία μέχρι να φτάσει στην επιθυμητή θερμοκρασία. Σημειώστε ότι η θερμοκρασία που εμφανίζεται στην οθόνη είναι η ρυθμισμένη θερμοκρασία, και όταν τοποθετείτε τα τρόφιμα στην επιφάνεια μαγειρέματος, η θερμοκρασία μαγειρέματος της επιφάνειας θα μειωθεί λόγω του ότι τα τρόφιμα είναι κρύα. Η οθόνη θα συνεχίσει να δείχνει την ρυθμισμένη θερμοκρασία και θα θερμαίνεται μέχρι να φτάσει στην επιθυμητή θερμοκρασία.
- Πατήστε τον επιλογέα για να απενεργοποιήσετε τη συσκευή.
- Αφαιρέστε το φως από την πρίζα όταν δεν χρησιμοποιείτε τον φούρνο.

ΣΥΝΘΗΚΕΣ ΠΕΡΙΒΑΛΛΟΝΤΟΣ

- Η χρήση του φούρνου σε ψυχρότερο κλίμα ή σε υψηλότερο υψόμετρο θα αυξήσει τον χρόνο μαγειρέματος.
- Η συνεχής έκθεση στον άνεμο θα μειώσει τη θερμοκρασία στο εσωτερικό του φούρνου πίτσας.
- Οι επιφάνειες μαγειρέματος είναι εύκολα αντικαταστάσιμες.

3. Αποθήκευση

- Πάντα αφήστε τον φούρνο πίτσας να κρυώσει πριν τον αποθηκεύσετε.
- Πάντα αφαιρέστε το φως από την πρίζα τραβώντας το από το βύσμα. Μην τραβάτε το καλώδιο.
- Καλύψτε τον φούρνο πίτσας μόνο όταν έχει κρυώσει.
- Πάντα αποθηκεύστε τον καλυμμένο φούρνο πίτσας σε ζεστό και ξηρό μέρος.

4. Καθαρισμός και Φροντίδα

ΠΡΟΣΟΧΗ: Ο καθαρισμός και η συντήρηση πρέπει να πραγματοποιούνται όταν ο φούρνος πίτσας είναι κρύος και με την πρίζα αποσυνδεδεμένη από την πηγή ρεύματος. Η διαδικασία «καύσης» του φούρνου πίτσας μετά από κάθε χρήση (για περίπου 15 λεπτά) θα μειώσει τα υπολείμματα τροφίμων στο ελάχιστο. Συνιστάται να καθαρίζετε και να συντηρείτε τον φούρνο πίτσας τουλάχιστον μία φορά το μήνα για να παρατείνετε τη διάρκεια ζωής του φούρνου και να μειώσετε την πιθανότητα προβλημάτων.

5. Καθαρισμός

- Αφήστε τον φούρνο πίτσας να κρυώσει πριν τον καθαρίσετε.
- Μην χρησιμοποιείτε εξοπλισμό υψηλής πίεσης ή υδροπίδακα για τον καθαρισμό του φούρνου πίτσας.

ΕΞΩΤΕΡΙΚΗ ΕΠΙΦΑΝΕΙΑ

- Χρησιμοποιήστε ήπιο απορρυπαντικό ή διάλυμα μαγειρικής σόδας και ζεστού νερού. Μπορείτε να χρησιμοποιήσετε μη αποξεστικά απορρυπαντικά σε επίμονους λεκέδες και μετά να ξεπλύνετε με νερό.

ΠΛΑΣΤΙΚΕΣ ΕΠΙΦΑΝΕΙΕΣ

- Πλύνετε με μαλακή πετσέτα και διάλυμα ζεστού σαπουνόνερου. Ξεπλύνετε με νερό. Μην χρησιμοποιείτε απορρυπαντικά, απολιπαντικά ή συγκεντρωμένα καθαριστικά μπάρμπεκιου σε πλαστικά μέρη.

ΠΕΤΡΑ ΠΙΤΣΑΣ

- Χρησιμοποιήστε την βούρτσα COZZE για να βουρτσίσετε τα υπολείμματα μετά την «καύση». Αν χρειαστεί, η κρύα πέτρα μπορεί να ξεπλυθεί με νερό. Βεβαιωθείτε ότι η πέτρα είναι εντελώς στεγνή πριν από την επόμενη χρήση.

6. Επιστροφή της συσκευής για επισκευή, εξυπηρέτηση και εγγύηση

- Μην τροποποιείτε τον φούρνο πίτσας. Αυτό μπορεί να προκαλέσει την ανασφάλεια του φούρνου πίτσας. Οποιαδήποτε τροποποίηση καθιστά την εγγύηση άκυρη.
- Αν δεν μπορείτε να διορθώσετε οποιοδήποτε σφάλμα ακολουθώντας αυτές τις οδηγίες, επικοινωνήστε με τον τοπικό σας διανομέα για συμβουλές, έλεγχο ή οδηγίες επισκευής.
- Παρακαλούμε κρατήστε όλα τα αποδεικτικά πληρωμής και το πιστοποιητικό εγκατάστασης για σκοπούς εγγύησης. Αν δεν μπορούν να παρασχεθούν, όλες οι εγγυήσεις θα θεωρηθούν άκυρες.

7. Ψήστε την τέλεια πίτσα με τον φούρνο πίτσας Cozze

Προθερμάνετε τον φούρνο πίτσας Cozze στους περίπου 400°C. Η υψηλή θερμοκρασία είναι το μυστικό για την τέλεια πίτσα!

Πώς να χρησιμοποιήσετε τον φούρνο πίτσας σας:

1. Προθερμάνετε καλά:

- Συνδέστε τον φούρνο και προθερμάνετε για τουλάχιστον 20 λεπτά για να διασφαλίσετε ότι η πέτρα φτάνει στους 400°C (Χρησιμοποιήστε ένα θερμόμετρο υπερέθρων Cozze για ακριβή μέτρηση).

2. Ψήστε την πίτσα σας:

- Τοποθετήστε την πίτσα σας στην καυτή, περιστρεφόμενη πέτρα χρησιμοποιώντας μια παλέτα.
- Ρυθμίστε τη θερμοκρασία σε χαμηλή κατά τη διάρκεια του ψησίματος για να κρατήσετε την κρούστα τραγανή χωρίς να καεί.

3. Μεταξύ των πιστών:

- Για επιπλέον πίτσες, αυξήστε τη θερμοκρασία στο μέγιστο για 5 λεπτά για να ξαναζεστάνετε την πέτρα, και μετά επαναλάβετε τη διαδικασία.

4. Σερβίρετε και απολαύστε:

- Αφαιρέστε την πίτσα, αφήστε την να κρυώσει λίγο, κόψτε την και απολαύστε.

Με το Cozze, κάθε βραδιά πίτσας είναι ένα αριστούργημα.

Καλή όρεξη!

8. Γενική εγγύηση Cozze

Η Cozze παρέχει 2 χρόνια εγγύηση για όλα τα προϊόντα.

Η παραπάνω εγγύηση υπόκειται στους εξής όρους:

- Το προϊόν Cozze χρησιμοποιείται σύμφωνα με τις οδηγίες του εγχειριδίου χρήστη.
- Το προϊόν Cozze δεν έχει τροποποιηθεί.
- Το προϊόν Cozze έχει συναρμολογηθεί σωστά σύμφωνα με τους κανονισμούς.
- Το προϊόν Cozze συντηρείται και καθαρίζεται τακτικά σύμφωνα με το εγχειρίδιο χρήστη.
- Αποθηκεύστε το προϊόν Cozze καλυμμένο με καλύμματα όταν δεν χρησιμοποιείται.
- Αποθήκευση Cozze το χειμώνα: Όλα τα ξύλινα μέρη, οι πέτρες πίτσας και τα αξεσουάρ της Cozze πρέπει να αποθηκεύονται εσωτερικά κατά τη διάρκεια του χειμώνα.
- Το προϊόν Cozze είναι, όπου ισχύει, συνδεδεμένο με τον σωστό τύπο αερίου ή ηλεκτρισμού.
- Το προϊόν Cozze τοποθετείται σε επίπεδη και ασφαλή επιφάνεια.
- Το προϊόν Cozze δεν είναι εξοπλισμένο με μη αυθεντικά μέρη Cozze.
- Το προϊόν Cozze δεν πρέπει να αποθηκεύεται ως στερεό εξάρτημα κοντά στη θάλασσα, σε χλωριωμένες πισίνες ή σε υδρομασάζ.
- Το προϊόν Cozze χρησιμοποιείται μόνο για ιδιωτική χρήση.

Η εγγύηση δεν καλύπτει:

Προϊόντα Cozze που είναι ελαττωματικά, κατεστραμμένα ή άλλως υποβαθμισμένα ως αποτέλεσμα από:

- Φυσιολογική φθορά από κανονική χρήση
- Βανδαλισμούς
- Ασυνηθιστο καιρό όπως χαλάζι, καταιγίδες, τυφώνες, τσουνάμι, σεισμούς ή ισχυρές καταιγίδες.
- Άλλες συνθήκες περιβάλλοντος όπως όξινη βροχή, χλώριο/αλάτι στον αέρα και άλλες περιβαλλοντικές συνθήκες.

CUPTOR ELECTRIC PENTRU PIZZA

RO - Manual de utilizare

Citiți și urmați aceste afirmații pentru a ajuta la asigurarea siguranței și prevenirea daunelor materiale.

ATENȚIE: Indică o situație periculoasă care, dacă nu este evitată, ar putea duce la o vătămare minoră sau moderată.

AVERTISMENT: Indică o situație periculoasă care, dacă nu este evitată, ar putea duce la moarte sau vătămări grave.

DANGER: Indică o situație periculoasă care, dacă nu este evitată, va duce la moarte sau vătămări grave.

AVERTISMENT!

Citiți cu atenție această instrucțiune și asigurați-vă că cuptorul de pizza este instalat, asamblat, întreținut și servit corect conform acestor instrucțiuni. Nerespectarea acestor instrucțiuni poate duce la vătămări corporale grave și/sau daune materiale.

Dacă aveți întrebări referitoare la asamblarea sau operarea acestui cuptor de pizza, vă rugăm să consultați distribuitorul.

Note pentru utilizator:

ACEST CUPTOR DE PIZZA ESTE PENTRU UTILIZARE DOMESTICĂ DOAR. CITIȚI INSTRUCȚIUNILE ÎNAINTE DE A FOLOSI APARATUL.

AVERTISMENT: PĂRȚILE ACCESIBILE POT FI FOARTE INCANDESCENTE, ȚINEȚI COPIII MICI DEPARTE.

NU MUTAȚI APARATUL ÎN TIMPUL GĂTIRII. PĂSTRAȚI MANUALUL PENTRU REFERINȚE VIITOARE. DESENUL ESTE PENTRU REFERINȚĂ DOAR.

CUPTOR ELECTRIC PENTRU PIZZA			
90446 (13 INCH)		90448 (17 INCH)	
220-240 V~ 50-60 Hz	2200 W	220-240 V~ 50-60 Hz	2200 W
IPX4	Net weight: 21.8 kg	IPX4	Net weight: 26.4 kg
Millarco International A/S Rokhøj 26, 8520 Lystrup, Denmark www.millarco.com www.cozzebbq.com millarco@millarco.com			



Nu aruncați aparatul electric ca deșeu menajer nesortat, utilizați facilități de colectare separat. Contactați autoritățile locale pentru informații privind sistemele de colectare disponibile. Dacă aparatele electrice sunt aruncate în gropi de gunoi sau depozite de deșeuri, substanțele periculoase pot ajunge în apa freatică și în lanțul alimentar, afectând sănătatea și bunăstarea dumneavoastră.

1.1 Operare

PERICOL

- Utilizați cuptorul de pizza într-o zonă bine ventilată.
- Nu utilizați cărbune, brichete, combustibil lichid sau piatră lavică în cuptorul de pizza.

AVERTISMENT

- Utilizați-l doar așa cum este descris în acest manual de utilizare. Utilizarea incorectă poate cauza incendiu, șoc electric sau vătămări.
- Acest cuptor de pizza trebuie conectat doar la o priză cu împământare.
- Acest cuptor de pizza trebuie alimentat printr-un dispozitiv de protecție la curent rezidual (RCD) cu un curent rezidual de operare nominal care să nu depășească 30 mA.
- Nu utilizați cuptorul de pizza dacă priza electrică este deteriorată.
- Dacă cablul de alimentare este deteriorat, acesta trebuie înlocuit de către producător, agentul său de service sau persoane calificate similar pentru a evita un pericol.
- Deconectați întotdeauna prin tragerea din priză a ștecherului. Nu trageți de cablu.
- Nu utilizați cuptorul de pizza la o distanță mai mică de 3 m de orice fel de apă, cum ar fi o piscină sau un iaz.
- Nu utilizați cuptorul de pizza la mai puțin de 60 cm de materiale combustibile. Distanțele minime de siguranță sunt: Deasupra cuptorului de pizza 1,2 m. În partea din spate și pe laterale 60 cm (vezi ilustrația).
- Mențineți zona de gătit liberă de vapori și lichide inflamabile, cum ar fi benzină, alcool etc., și materiale inflamabile/combustibile.
- Dacă apare un incendiu de grăsime, închideți capacul, opriți butonul de alimentare, scoateți cuptorul de pizza din priză și lăsați capacul închis până când focul este stins. Nu utilizați lichide pentru a stinge flăcările.
- Părțile accesibile pot fi foarte fierbinți. Țineți copiii mici și animalele departe.
- AVERTISMENT: Cuptorul de pizza și părțile sale accesibile devin fierbinți în timpul utilizării. Trebuie să aveți grijă să nu atingeți elementele de încălzire.
- Acest cuptor de pizza poate fi utilizat de copii cu vârsta de 8 ani și peste și de persoane cu capacități fizice, senzoriale sau mentale reduse sau lipsă de experiență și cunoștințe, dacă au fost supravegheați sau instruiți cu privire la utilizarea cuptorului de pizza într-un mod sigur și înțeleg pericolele implicate. Copiii nu trebuie să se joace cu cuptorul de pizza. Curățarea și întreținerea utilizatorului nu trebuie efectuate de copii fără supraveghere.
- Copiii cu vârsta sub 8 ani trebuie ținuti departe, cu excepția cazului în care sunt supravegheați continuu.
- Utilizarea alcoolului, medicamentelor pe bază de prescripție medicală, medicamentelor fără prescripție medicală sau drogurilor ilegale poate afecta capacitatea consumatorului de a asambla, muta, depozita sau opera corect și în siguranță cuptorul de pizza.
- Instrucțiunile privind persoanele (inclusiv copiii) cu capacități fizice, senzoriale sau mentale reduse, sau lipsă de experiență și cunoștințe nu sunt aplicabile.
- Nu lăsați cuptorul de pizza nesupravegheat în timpul preîncălzirii sau utilizării. Exersați precauție atunci când utilizați acest cuptor de pizza.
- Nu mutați cuptorul de pizza în timpul utilizării.
- Țineți cablul de alimentare electrică departe de orice suprafețe încălzite. Urmați instrucțiunile pentru gestionarea cablului.
- Așezați cablul de alimentare departe de zonele de trafic. Aranjați cablul astfel încât să nu poată fi tras sau să nu devină un pericol de împiedicare.

- Nu utilizați cuptorul de pizza dacă acesta a fost lăsat să cadă sau prezintă defecte de funcționare în orice mod.
- Nu trebuie utilizate cărbuni sau alte combustibile combustibile cu acest cuptor de pizza.
- Cuptorul de pizza trebuie să fie conectat la o priză cu contact de împământare.
- Cablul de alimentare trebuie verificat periodic pentru semne de deteriorare și cuptorul de pizza nu trebuie utilizat dacă cablul este deteriorat.
- Pentru a proteja împotriva șocului electric, nu scufundați cablul, prizele, sondele sau cuptorul de pizza în apă sau alte lichide.
- Pentru a preveni șocurile electrice, nu pulverizați lichide în interiorul cuptorului de pizza.
- Operați cuptorul de pizza doar pe o suprafață plată, rezistentă la căldură.
- Utilizați mănuși rezistente la căldură atunci când operați cuptorul de pizza.

ATENȚIE

- Când conectați acest cuptor de pizza la o sursă de alimentare, asigurați-vă că tensiunea de alimentare corespunde cu valoarea de tensiune marcată pe eticheta cuptorului de pizza.
- Nu depășiți puterea nominală a prizei electrice.
- Nu utilizați cuptorul de pizza într-un vehicul sau într-o zonă de depozitare sau încărcătură a unui vehicul. Acest lucru include, dar nu se limitează la, mașini, camioane, breakuri, minivanuri, vehicule utilitare sportive, case pe roți, caravane și bărci.
- În timpul instalării: nu plasați pe suprafețe sau aproape de pereți, partii sau mobilier de bucătărie și altele de acest tip – decât dacă sunt realizate din material necombustibil sau acoperite cu material necombustibil de izolare termică, și respectați reglementările de prevenire a incendiilor.
- Nu utilizați cuptorul de pizza cu ușa acestuia mai mult de 2 ore pentru a preveni supraîncălzirea cuptorului.
- NU utilizați piatra pe flăcără deschisă.
- Evitați schimbările extreme de temperatură la piatră. NU plasați alimente congelate pe o piatră fierbinte.
- Piatra este fragilă și se poate sparge dacă este lovită sau căzută.
- Piatra este foarte fierbinte în timpul utilizării și rămâne fierbinte pentru mult timp după utilizare.
- NU răciți piatra cu apă atunci când aceasta este fierbinte.
- După ce curățați piatra cu apă, vă rugăm să o uscați înainte de utilizare. Acest lucru se poate face într-un cuptor convențional la 60 °C (140°F) timp de 2 ore.
- Depozitați piatra pentru pizza într-un loc uscat și cald.
- Piatra pentru pizza este considerată o piesă de uzură și nu este acoperită de garanție.
- Lăsați cuptorul de pizza să se răcească înainte de a-l muta, curăța sau depozita.
- Ușa cuptorului de pizza nu trebuie utilizată în apropierea materialelor inflamabile în timpul gătitului. (Produse pe bază de petrol, substanțe de diluare sau orice alt obiect solid care poartă un eticheta de avertizare privind inflamabilitatea.)
- Acoperiți cuptorul de pizza doar atunci când este rece.

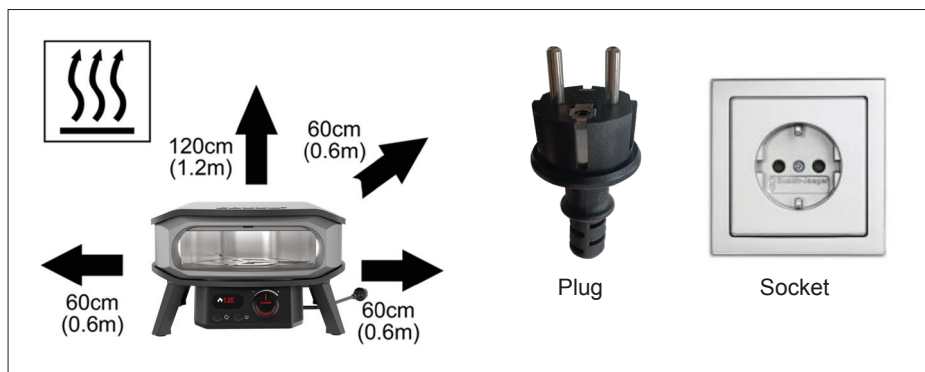
1.2 Instalare și Asamblare

AVERTISMENT

- Acest model de cuptor de pizza este destinat doar utilizării independente pe o suprafață plană.
- Citiți cu atenție următoarea instrucțiune și asigurați-vă că cuptorul de pizza este instalat, asamblat și întreținut corect. Nerespectarea acestor instrucțiuni poate duce la vătămări corporale grave și/sau daune materiale.

ATENȚIE

- Pentru a minimiza riscul de daune materiale și/sau vătămări corporale, nu utilizați un cablu de alimentare extensibil decât dacă acesta corespunde specificațiilor menționate în acest manual de utilizare.
- Dacă este necesar să utilizați un prelungitor, acesta trebuie conectat la o priză cu împământare. Folosiți doar un cablu de 14 calibre cu ștecher împământat, adecvat pentru utilizarea cu cuptorul de pizza. Lungimea maximă a prelungitorului este de 4 metri. Mențineți prelungitorul cât mai scurt posibil. Examinați prelungitorul înainte de utilizare și înlocuiți-l dacă este deteriorat.
- Asigurați-vă că cablul nu reprezintă un pericol de împiedicare.
- Mențineți conexiunile uscate.
- Ușa cuptorului de pizza este o ușă mobilă pentru cuptorul de pizza. Utilizarea acestei uși în timpul încălzirii poate reduce timpul de încălzire cu 20-30%.
- Ușa cuptorului de pizza trebuie ținută departe de materialele inflamabile în timpul utilizării.
- Ușa cuptorului de pizza nu trebuie plasată pe nici o suprafață inflamabilă până când nu se răcește.
- Nu plasați ușa cuptorului de pizza pe partea de sus a cuptorului de pizza în timpul gătitului.
- NU lăsați obiecte periculoase, cum ar fi brichete sau lichid de aprindere, lângă ușa cuptorului de pizza. De fapt, ușa cuptorului de pizza, după utilizare, radiază căldură în toate direcțiile.
- Respectați toate legile și reglementările locale atunci când utilizați acest cuptor de pizza.
- Dacă aveți întrebări referitoare la asamblare sau operare, consultați distribuitorul dumneavoastră.
- Se recomandă utilizarea mănușilor de protecție atunci când manipulați componente deosebit de fierbinți.



- Părțile sigilate de către producător sau agentul său nu trebuie manipulate de utilizator.
- NOTĂ PENTRU CONSUMATOR: Păstrați acest manual pentru referințe viitoare.

2. Caracteristici ale produsului



A: Ecranul LED servește ca termometru digital care afișează temperatura camerei cuptorului până când se atinge temperatura setată. Acest lucru asigură o citire precisă și exactă a temperaturii cuptorului de pizza.

B: Butonul de control este ușor de utilizat. Apăsați pentru a porni sau opri unitatea. Întoarceți-l în sensul acelor de ceasornic pentru a crește temperatura dorită sau în sens invers acelor de ceasornic pentru a o reduce. Apăsați butonul timp de trei secunde pentru a comuta între °F sau °C.

C: Butonul motorului rotativ controlează deschiderea și închiderea raftului rotativ.

D: Butonul principal de alimentare controlează pornirea și oprirea cuptorului de pizza.

E: Ușa cuptorului de pizza este utilizată atât pentru preîncălzirea cuptorului, cât și pentru coacerea pizzei.



AVERTISMENT
TEMPERATURĂ RIDICATĂ

ATENȚIE!

NU ATINGEȚI CARCASA, PANOURILE SUPERIOARE SAU COILUL DE CĂLDURĂ PE DURATA UTILIZĂRII. PĂRȚILE ACCESIBILE POT FI FOARTE FIERBINȚI.

PREGĂTIRE PENTRU UTILIZARE

Urmați aceste instrucțiuni cu atenție pentru a evita deteriorarea gravă a cuptorului de pizza și pentru a preveni rănirea dumneavoastră sau a altora și daunele materiale.

1. Asamblați cuptorul de pizza și ușa cuptorului de pizza urmând cu atenție instrucțiunile de asamblare.
2. Conectați cuptorul de pizza la o priză care este oprită, apăsați butonul principal de alimentare (D) pentru a porni cuptorul de pizza, apăsați butonul de control pentru a face ecranul să înceapă să funcționeze, iar ecranul va afișa temperatura camerei cuptorului. Apăsați butonul (C) pentru a activa funcția de rotație.
3. Amintiți-vă să scoateți fișa de alimentare după utilizare.

FUNCȚIILE BUTONULUI DE CONTROL

- Apăsați butonul pentru a intra în starea de pornire și a afișa temperatura.
- Întoarceți-l în sensul acelor de ceasornic pentru a crește temperatura dorită sau în sens invers acelor de ceasornic pentru a o reduce.
- Apăsați butonul timp de trei secunde pentru a comuta între °F sau °C.
- Setarea temperaturii: După ce ați rotit butonul de control pentru a seta temperatura dorită, eliberați butonul de control și ecranul va clipi de 3 ori pentru a confirma temperatura setată. Cuptorul de pizza va începe acum să se încălzească până când va atinge temperatura setată. Ecranul va arăta progresul de la temperatura curentă până când va atinge temperatura setată. Rețineți că temperatura afișată pe ecran este temperatura setată, iar atunci când alimentele sunt plasate pe suprafața de gătit, temperatura acesteia va scădea din cauza faptului că alimentele sunt reci. Ecranul va arăta în continuare temperatura setată de dumneavoastră și va începe să se încălzească până când va atinge temperatura setată.
- Apăsați butonul pentru a opri cuptorul.
- Scoateți fișa de alimentare din priză atunci când nu utilizați cuptorul.

CONDIȚII AMBIENTALE

- Utilizarea cuptorului într-un climat mai rece sau la altitudini mai mari va prelungi timpul de gătit.
- Vântul constant va scădea temperatura internă a cuptorului de pizza.
- Suprafețele de gătit sunt ușor interschimbabile.

3. Depozitare

- Lăsați întotdeauna cuptorul de pizza să se răcească înainte de a-l depozita.
- Întotdeauna deconectați prin tragerea fișei. Nu trageți de cablu.
- Acoperiți cuptorul de pizza doar atunci când s-a răcit.
- Depozitați întotdeauna cuptorul de pizza acoperit într-un loc cald și uscat.

4. Curățare și Întreținere

ATENȚIE: Toate curățările și întreținerea trebuie efectuate atunci când cuptorul de pizza este răcit și cu fișa de alimentare deconectată de la priză. "Arderea" cuptorului de pizza după fiecare utilizare (pentru aproximativ 15 minute) va menține reziduurile alimentare excesive la un nivel minim. Se recomandă curățarea și întreținerea cuptorului de pizza cel puțin o dată pe lună pentru a extinde durata de viață a cuptorului și a reduce posibilitatea apariției problemelor.

5. Curățare

- Lăsați cuptorul de pizza să se răcească înainte de a-l curăța.
- Nu utilizați echipamente de curățare cu aburi de înaltă presiune sau jet de apă pentru a curăța cuptorul de pizza.

SUPRAFAȚA EXTERIOARĂ

- Folosiți un detergent blând sau o soluție de bicarbonat de sodiu și apă caldă. Puteți utiliza pudră de curățat non-abrazivă pentru pete încăpățănate, apoi clătiți cu apă.

SUPRAFEȚELE DE PLASTIC

- Spălați cu o cârpă moale și o soluție de apă caldă și săpun. Clătiți cu apă. Nu utilizați produse de curățare abrazive, degresanți sau curățător de grătare concentrat pe piesele din plastic.

PIEDRA DE PIZZA

- Folosiți peria de sârmă COZZE pentru a îndepărta resturile rămase după „arderea” cuptorului. Dacă este necesar, piatra rece poate fi clătită cu apă. Asigurați-vă că piatra este complet uscată înainte de următoarea utilizare.

6. Returnarea aparatului pentru reparații, întreținere și garanție

- Nu modificați cuptorul de pizza. Acest lucru poate face ca cuptorul să devină periculos. Orice modificări vor anula garanția.
- Dacă nu puteți remedia vreo defecțiune urmând aceste instrucțiuni, contactați distribuitorul local pentru sfaturi, inspecție sau instrucțiuni de reparație.
- Vă rugăm să păstrați toate dovezile de plată și certificatul de instalare pentru scopuri de garanție. Dacă acestea nu pot fi furnizate, toate garanțiile vor fi considerate nule.

7. Coaceți pizza perfectă cu cuptorul de pizza Cozze

Preîncălziți cuptorul de pizza Cozze la aproximativ 400°C. Căldura mare este secretul pentru pizza perfectă!

Cum să utilizați cuptorul de pizza:

1. Preîncălziți complet:

- Conectați cuptorul și preîncălziți-l timp de cel puțin 20 de minute pentru a asigura că piatra atinge 400°C (Folosiți un termometru Cozze cu infraroșu pentru precizie.)

2. Coaceți pizza:

- Plasați pizza pe piatra fierbinte și rotativă folosind o paletă.
- Reduceți temperatura la minimum în timpul coacerii pentru a păstra crusta crocantă fără a o arde.

3. Între pizza:

- Pentru pizza suplimentare, creșteți căldura la maxim timp de 5 minute pentru a reîncălzi piatra, apoi repetați procesul.

4. Serviți și bucurați-vă:

- Scoateți pizza, lăsați-o să se răcească puțin, feliați-o și savurați-o.

Cu Cozze, fiecare seară de pizza este o capodoperă.
Poftă bună!

8. Garanția generală Cozze

Cozze oferă o garanție de 2 ani pentru toate produsele.

Garanția de mai sus este supusă următoarelor condiții:

- Produsul Cozze este utilizat conform instrucțiunilor din manualul utilizatorului.
- Produsul Cozze nu este modificat.
- Produsul Cozze este asamblat corect conform reglementărilor.
- Produsul Cozze este întreținut și curățat frecvent conform manualului utilizatorului.
- Produsul Cozze este depozitat acoperit cu un capac atunci când nu este utilizat.
- Depozitare de iarnă Cozze: Toate piesele din lemn, pietrele de pizza și accesoriile Cozze trebuie depozitate în interior pe timpul iernii.
- Produsul Cozze este, acolo unde este cazul, conectat la tipul corect de gaz sau electricitate.
- Produsul Cozze este plasat pe o suprafață plată și sigură.
- Produsul Cozze nu este echipat cu piese neoriginale Cozze.
- Produsul Cozze nu trebuie depozitat ca un component solid în apropierea mării, piscinelor cu clor sau băilor cu aburi.
- Produsul Cozze este utilizat doar pentru uz privat.

Garanția nu acoperă:

Produsele Cozze care sunt defecte, deteriorate sau degradate din cauza:

- Uzurii normale datorate utilizării obișnuite
- Vandalismului
- Vremii neobișnuite, cum ar fi grindina, vremea furtunoasă, tornade, tsunamii, cutremure sau furtuni puternice.
- Alte condiții de mediu, cum ar fi ploaia acidă, clorul/sarea din aer și alte condiții de mediu.

ELEKTRIČNA PEĆNICA ZA PIZZU

HR - Korisnički priručnik

Pročitajte i slijedite ove izjave kako biste osigurali sigurnost i spriječili oštećenje imovine.

PAŽNJA: Označava opasnu situaciju koja, ako se ne izbjegne, može rezultirati manjim ili umjerenim ozljedama.

UPORNA OPASNOST: Označava opasnu situaciju koja, ako se ne izbjegne, može rezultirati smrću ili teškim ozljedama.

OPASNOST: Označava opasnu situaciju koja, ako se ne izbjegne, dovodi do smrti ili teških ozljeda.

UPORNA OPASNOST!

Pažljivo pročitajte ove upute i osigurajte da vaša pećnica za pizzu bude pravilno instalirana, sastavljena, održavana i servisirana u skladu s tim uputama. Nepridržavanje ovih uputa može rezultirati ozbiljnim tjelesnim ozljedama i/ili oštećenjem imovine.

Ako imate bilo kakvih pitanja u vezi sa sastavljanjem ili radom ove pećnice za pizzu, obratite se svom distributeru.

Napomene korisniku:

OVA PEĆNICA ZA PIZZU JE SAMO ZA KUĆNU UPOTREBU. PROČITAJTE UPUTE PRIJE KORIŠTENJA APARATA.

UPORNA OPASNOST: DOSTUPNI DIJELOVI MOGU BITI VRLO VRUĆI, DRŽITE MALA DJECA DALJE.

NE POMIČITE APARAT TOKOM KUHANJA. ZADRŽITE PRIRUČNIK ZA BUDUĆE REFERENCIJE. CRTEŽI SU SAMO ZA REFERENCJU.

ELEKTRIČNA PEĆNICA ZA PIZZU			
90446 (13 INCH)		90448 (17 INCH)	
220-240 V~ 50-60 Hz	2200 W	220-240 V~ 50-60 Hz	2200 W
IPX4	Net weight: 21.8 kg	IPX4	Net weight: 26.4 kg
Millarco International A/S Rokhøj 26, 8520 Lystrup, Denmark www.millarco.com www.cozzebbq.com millarco@millarco.com			



Nemojte odlagati električne uređaje kao nesortirani komunalni otpad, koristite odvojene sustave za prikupljanje. Kontaktirajte svoju lokalnu vlast za informacije o dostupnim sustavima za prikupljanje. Ako se električni uređaji odlažu na odlagalištima ili deponijama, opasne tvari mogu procuriti u podzemne vode i ući u lanac hrane, šteteći vašem zdravlju i dobrobiti.

1.1 Rad

OPASNOST

- Koristite pećnicu za pizzu u dobro prozračenom prostoru.
- Nemojte koristiti ugljen, brikete, tekuće gorivo ili lavu u pećnici za pizzu.

UPORNA OPASNOST

- Koristite samo kako je opisano u ovom korisničkom priručniku. Nepravilna upotreba može uzrokovati požar, električni udar ili ozljede.
- Ova pećnica za pizzu treba biti priključena na utičnicu s uzemljenjem.
- Ova pećnica za pizzu treba biti napajanja putem uređaja za preostalu struju (RCD) koji ima nazivnu preostalu radnu struju koja ne prelazi 30 mA.
- Nemojte koristiti pećnicu za pizzu ako je električna utičnica oštećena.
- Ako je napojni kabel oštećen, mora ga zamijeniti proizvođač, njegov servisni agent ili slične kvalificirane osobe kako bi se izbjegla opasnost.
- Uvijek isključite izvlačenjem utikača. Nemojte povlačiti kabel.
- Nemojte koristiti pećnicu za pizzu na udaljenosti manjoj od 3 m od bilo koje vrste vode, poput bazena ili jezera.
- Nemojte koristiti pećnicu za pizzu na udaljenosti manjoj od 60 cm od zapaljivih materijala. Minimalne sigurne udaljenosti su: Iznad pećnice za pizzu 1,2 m. Straga i sa strane 60 cm (pogledajte ilustraciju).
- Držite kuhalni prostor čist od zapaljivih para i tekućina, poput benzina, alkohola, itd., i zapaljivih/materijala koji se mogu zapaliti.
- Ako dođe do požara od masti, zatvorite poklopac, isključite prekidač za napajanje, izvucite pećnicu za pizzu iz utičnice i ostavite poklopac zatvorenim dok se vatra ne ugasi. Nemojte koristiti tekućinu za gašenje plamena.
- Dostupni dijelovi mogu biti vrlo vrući. Držite malu djecu i kućne ljubimce podalje.
- **UPORNA OPASNOST:** Pećnica za pizzu i njezini dostupni dijelovi postaju vrući tijekom uporabe. Pazi da ne dođeš u kontakt s grijaćim elementima.
- Ova pećnica za pizzu može se koristiti od strane djece starije od 8 godina i osoba s smanjenim fizičkim, senzornim ili mentalnim sposobnostima ili bez iskustva i znanja, ako im je pruženo nadgledanje ili upute o sigurnoj uporabi pećnice za pizzu i razumiju opasnosti koje su uključene. Djeca se ne smiju igrati s pećnicom za pizzu. Čišćenje i održavanje korisnika ne smiju obavljati djeca bez nadzora.
- Djeca mlađa od 8 godina trebaju biti držana podalje osim ako nisu pod stalnim nadzorom.
- Upotreba alkohola, lijekova na recept, lijekova bez recepta ili ilegalnih droga može oslabiti sposobnost korisnika da pravilno i sigurno sastavi, premjesti, pohrani ili koristi pećnicu za pizzu.
- Upute koje se odnose na osobe (uključujući djecu) sa smanjenim fizičkim, senzornim ili mentalnim sposobnostima, ili bez iskustva i znanja, nisu primjenjive.
- Nemojte ostavljati pećnicu za pizzu bez nadzora tijekom zagrijavanja ili uporabe. Budite oprezni pri korištenju ove pećnice za pizzu.
- Nemojte pomicati pećnicu za pizzu tijekom uporabe.
- Držite bilo koji električni kabel podalje od bilo kojih zagrijanih površina. Slijedite upute za upravljanje kabelom.
- Smjestite napojni kabel daleko od prometnih područja. Postavite kabel tako da ne bude povučen ili spotaknut.

- Nemojte koristiti pećnicu za pizzu ako padne ili neispravno funkcionira na bilo koji način.
- Ugljen ili slična zapaljiva goriva ne smiju se koristiti s ovom pećnicom za pizzu.
- Pećnica za pizzu mora biti priključena na utičnicu s uzemljenjem.
- Napojni kabel treba redovito pregledavati na znakove oštećenja, a pećnica za pizzu se ne smije koristiti ako je kabel oštećen.
- Kako biste se zaštitili od električnog udara, nemojte uranjati kabel, utikače, sonde ili pećnicu za pizzu u vodu ili druge tekućine.
- Kako biste spriječili električni udar, nemojte prskati tekućinu unutar pećnice za pizzu.
- Koristite pećnicu za pizzu samo na ravnoj, otpornoj na toplinu površini.
- Koristite rukavice otpornosti na toplinu prilikom rukovanja pećnicom za pizzu.

PAŽNJA

- Pri povezivanju ove pećnice za pizzu na napajanje, osigurajte da napon napajanja odgovara nazivnom naponu označenom na etiketi pećnice za pizzu.
- Nemojte premašiti snagu utičnice.
- Nemojte koristiti pećnicu za pizzu u bilo kojem vozilu ili u bilo kojem skladišnom ili teretnom prostoru vozila. To uključuje, ali nije ograničeno na, automobile, kamione, karavane, mini-vane, sportske terenske vozila, mobilne kuće, kamp-prikolice i brodove.
- Tijekom instalacije: nemojte je postavljati na površine ili u blizini zidova, pregrada ili kuhinjskog namještaja i slično – osim ako nisu napravljeni od materijala koji nije zapaljiv ili obloženi materijalom koji je nezapaljiv i ima toplinsku izolaciju, te obratite pažnju na propise o prevenciji požara.
- Nemojte koristiti pećnicu za pizzu s vratima pećnice duže od 2 sata kako biste spriječili pregrijavanje pećnice.
- NE koristite kamen na otvorenom plamenu.
- Izbjegavajte ekstremne promjene temperature na kamenu. NE stavljajte smrznutu hranu na vrući kamen.
- Kamen je krhak i može se slomiti ako se udari ili padne.
- Kamen je vrlo vruć tijekom uporabe i ostaje vruć dugo nakon uporabe.
- NE hladite kamen vodom dok je vruć.
- Nakon čišćenja kamena vodom, molimo osušite kamen prije uporabe. To se može učiniti u konvencionalnoj pećnici na 60 °C (140°F) tijekom 2 sata.
- Spremite kamen za pizzu na suhom i toplom mjestu.
- Kamen za pizzu se smatra dijelom koji se troši i nije pokriven garancijom.
- Dozvolite da se pećnica za pizzu ohladi prije nego je premjestite, očistite ili pohranite.
- Vrata pećnice za pizzu ne smiju se koristiti u blizini zapaljivih materijala tijekom kuhanja. (Proizvodi na bazi nafte, razrjeđivači ili bilo koji drugi čvrsti predmet koji nosi oznaku zapaljivosti.)
- Pokrijte pećnicu za pizzu samo kada se ohladi.

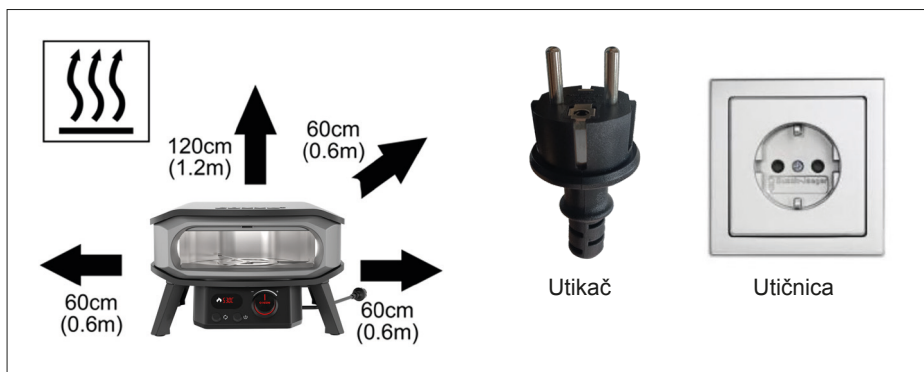
1.2 Instalacija i sastavljanje

UPORNA OPASNOST

- Ovaj model pećnice za pizzu namijenjen je samo za samostojeću upotrebu na ravnoj površini.
- Pažljivo pročitajte sljedeće upute i budite sigurni da je vaša pećnica za pizzu pravilno instalirana, sastavljena i održavana. Nepridržavanje ovih uputa može rezultirati ozbiljnim tjelesnim ozljedama i/ili oštećenjem imovine.

PAŽNJA

- Kako biste smanjili rizik od oštećenja imovine i/ili tjelesnih ozljeda, nemojte koristiti produžni kabel za napajanje osim ako odgovara specifikacijama navedenim u ovom korisničkom priručniku.
- Ako je nužno koristiti produžni kabel, mora biti priključen na utičnicu s uzemljenjem. Koristite samo kabel debljine 14 sa utikačem sa uzemljenjem, prikladan za upotrebu s pećnicom za pizzu. Maksimalna duljina produžnog kabela je 4 metra. Držite produžni kabel što kraćim. Pregledajte produžni kabel prije uporabe i zamijenite ga ako je oštećen.
- Osigurajte da kabel ne predstavlja opasnost od spoticanja.
- Držite spojeve suhim.
- Vrata pećnice za pizzu su pomična vrata za vašu pećnicu za pizzu. Korištenje vrata pećnice za pizzu tijekom zagrijavanja može skratiti vrijeme zagrijavanja za 20-30%.
- Vrata pećnice za pizzu moraju biti držana podalje od zapaljivih materijala tijekom uporabe.
- Vrata pećnice za pizzu ne smiju se stavljati na zapaljivu površinu dok se ne ohlade.
- Nemojte stavljati vrata pećnice za pizzu na vrh pećnice za pizzu tijekom kuhanja.
- NE ostavljajte opasne predmete poput upaljača ili tekućine za paljenje uz vrata pećnice za pizzu. Naime, vrata pećnice za pizzu nakon uporabe zrače toplinu u svim smjerovima.
- Poštujte sve lokalne zakone i propise prilikom uporabe ove pećnice za pizzu.
- Ako imate bilo kakvih pitanja u vezi sa sastavljanjem ili radom, obratite se svom distributeru.
- Preporučuje se korištenje zaštitnih rukavica prilikom rukovanja posebno vrućim komponentama.
- Dijelove koje je zapečatio proizvođač ili njegov agent korisnik ne smije manipulirati.
- NAPOMENA ZA KORISNIKA: Čuvajte ovaj priručnik za buduće reference.



2. Značajke proizvoda



A: LED zaslon služi kao digitalni termometar koji prikazuje temperaturu unutar pećnice dok se ne postigne željena temperatura. Ovo osigurava precizno i točno očitavanje temperature vaše pećnice za pizzu.

B: Kontrolna tipka je jednostavna za upotrebu. Pritisnite da biste uključili ili isključili uređaj. Okrenite u smjeru kazaljke na satu da povećate željenu temperaturu ili okrenite suprotno od smjera kazaljke na satu da smanjite željenu temperaturu. Pritisnite tipku na tri sekunde da biste prešli između °F i °C.

C: Tipka za motor rotacije kontrolira otvaranje i zatvaranje rotirajuće rešetke.

D: Glavni prekidač za napajanje kontrolira uključivanje i isključivanje pećnice za pizzu.

E: Vrata pećnice za pizzu koriste se kako prilikom predzagrijavanja pećnice, tako i tijekom pečenja pizze.



UPORNA OPASNOST
VISOKA TEMPERATURA

PAŽNJA!

NE DIRAJTE TIJELO, GORNJI PLOČU ILI
GRIJNI ELEMENT DURING UPOTREBU.
DOSTUPNI DIJELOVI MOGU BITI VRLO
VRUĆI.

PRIPREMA ZA UPOTREBU

Pažljivo slijedite ove upute kako biste izbjegli ozbiljna oštećenja vaše pećnice za pizzu i ozljede sebi i imovini.

1. Sastavite pećnicu za pizzu i vrata pećnice za pizzu pažljivo prateći upute za sastavljanje.
2. Priključite pećnicu za pizzu na utičnicu koja je isključena, pritisnite glavni prekidač za napajanje (D) da biste uključili pećnicu, pritisnite kontrolnu tipku da zaslon počne raditi, zaslon će prikazati temperaturu unutar pećnice. Pritisnite tipku (C) da biste pokrenuli funkciju rotacije.
3. Ne zaboravite izvući utikač iz utičnice nakon uporabe.

FUNKCIJE PREKIDAČA

- Pritisnite tipku za ulazak u stanje uključenja i prikaz temperature.
- Okrenite u smjeru kazaljke na satu kako biste povećali željenu temperaturu ili okrenite suprotno od smjera kazaljke na satu kako biste smanjili željenu temperaturu.
- Pritisnite tipku na tri sekunde da biste prešli između °F i °C.
- Postavljanje temperature: Kada okrenete kontrolnu tipku kako biste postavili željenu temperaturu, otpustite kontrolnu tipku i zaslon će treptati 3 puta kako bi potvrdio postavljenu temperaturu. Pećnica za pizzu sada će početi zagrijavati dok ne dostigne postavljenu temperaturu. Zaslon će prikazivati napredak od trenutne temperature dok ne postigne postavljenu temperaturu. Imajte na umu da temperatura prikazana na zaslonu predstavlja postavljenu temperaturu, a kada stavite hranu na površinu za kuhanje, temperatura kuhanja će pasti zbog toga što je hrana hladna. Zaslon će i dalje prikazivati postavljenu temperaturu koju ste odabrali i zagrijavat će se dok ne postigne postavljenu temperaturu.
- Pritisnite tipku za isključivanje.
- Izvucite utikač iz utičnice kada ne koristite pećnicu.

AMBIJENTALNI UVJETI

- Korištenje pećnice u hladnijoj klimi ili na višoj nadmorskoj visini produžit će vaše vrijeme kuhanja.
- Stalni vjetar smanjit će unutarnju temperaturu pećnice za pizzu.
- Površine za kuhanje lako se zamjenjuju.

3. Skladištenje

- Uvijek dopustite da se pećnica za pizzu ohladi prije pohrane.
- Uvijek izvadite utikač iz utičnice. Nemojte vući za kabel.
- Pokrijte pećnicu za pizzu samo kada se ohladi.
- Uvijek pohranite pokrivenu pećnicu za pizzu na toplom i suhom mjestu.

4. Čišćenje i održavanje

PAŽNJA: Svo čišćenje i održavanje treba obaviti kada je pećnica za pizzu hladna i kada je utikač odspojen iz utičnice. "Ispaljivanje" pećnice za pizzu nakon svake uporabe (oko 15 minuta) pomoći će u minimaliziranju prekomjernih ostataka hrane. Preporučuje se čišćenje i održavanje pećnice za pizzu barem jednom mjesečno kako bi se produžio životni vijek vaše pećnice za pizzu i smanjila mogućnost problema.

5. Čišćenje

- Dopustite da se pećnica za pizzu ohladi prije nego je očistite.
- Nemojte koristiti visokotlačne parne uređaje ili vodeni mlaz za čišćenje pećnice za pizzu.

POVRŠINE NA VANJSKOJ STRANI

- Koristite blagi deterdžent ili otopinu s natrijevim bikarbonatom i toplom vodom. Za tvrdokorne mrlje može se koristiti neabrazivni prašak za ribanje, a zatim isprati vodom.

PLASTIČNE POVRŠINE

- Operite s mekom krpom i otopinom tople sapunaste vode. Isperite vodom. Nemojte koristiti abrazivne čistače, sredstva za odmaščivanje ili koncentrirane čistače za roštilj na plastičnim dijelovima.

PIZZA KAMEN

- Koristite COZZE žičanu četku za uklanjanje preostalih ostataka nakon "ispaljivanja". Ako je potrebno, hladni kamen možete isprati vodom. Pobrinite se da je kamen potpuno suh prije sljedeće uporabe..

6. Vraćanje uređaja na popravak, servis i garanciju

- Nemojte modificirati pećnicu za pizzu. To može uzrokovati da pećnica postane nesigurna. Svaka modifikacija će učiniti jamstvo nevažećim.
- Ako ne možete ispraviti bilo koju grešku slijedeći ove upute, kontaktirajte svog lokalnog distributera za savjet, inspekciju ili upute za popravak.
- Molimo čuvajte sve dokaze o plaćanjima i certifikat o instalaciji za potrebe jamstva. Ako se ovi dokumenti ne mogu dostaviti, jamstvo će se smatrati nevažećim..

7. Ispecite savršenu pizzu sa svojom Cozze pećnicom za pizzu

Zagrijte svoju Cozze pećnicu za pizzu na približno 400°C. Visoka temperatura je tajna savršene pizze!

Kako koristiti vašu pećnicu za pizzu:

1. Temeljito zagrijte:

- Priključite pećnicu i zagrijte je najmanje 20 minuta kako bi kamen dosegao 400°C (koristite Cozze infracrveni termometar za preciznost).

2. Ispecite svoju pizzu:

- Stavite pizzu na vrući, rotirajući kamen koristeći lopaticu.
- Smanjite temperaturu tijekom pečenja kako biste održali hrskavost kore bez da je izgorite.

3. Između pizza:

- Za dodatne pizze, povećajte temperaturu na maksimum na 5 minuta kako biste ponovno zagrijali kamen, a zatim ponovite postupak.

4. Poslužite i uživajte:

- Uklonite pizzu, pustite da se malo ohladi, narežite i uživajte.

S Cozze, svaka večer pizze je remek-djelo.

Bon appétit!

8. Opća Cozze jamstvena pravila

Cozze pruža 2-godišnje jamstvo na sve proizvode.

Gore navedeno jamstvo podložno je sljedećim uvjetima:

- Cozze proizvod koristi se u skladu s uputama u korisničkom priručniku.
- Cozze proizvod nije modificiran.
- Cozze proizvod je pravilno sastavljen u skladu s propisima.
- Cozze proizvod je održavan i redovito čišćen u skladu s korisničkim priručnikom.
- Pohranite Cozze proizvod prekriven s pokrivačem kada se ne koristi.
- Zimsko skladištenje Cozze: Svi drveni dijelovi, kameni za pizzu i pribor za Cozze moraju se pohraniti unutar prostora tijekom zime.
- Cozze proizvod je, gdje je primjenjivo, priključen na odgovarajući tip plina ili električne energije.
- Cozze proizvod postavljen je na ravnu i sigurnu površinu.
- Cozze proizvod nije opremljen neoriginalnim Cozze dijelovima.
- Cozze proizvod ne smije biti pohranjen kao čvrsta komponenta u blizini mora, kloriranih bazena ili jacuzzija.
- Cozze proizvod koristi se isključivo za privatnu upotrebu.

Jamstvo se ne odnosi na Cozze proizvode koji su neispravni, oštećeni ili na bilo koji drugi način degradirani uslijed:

- Očekivano trošenje i habanje uz normalnu upotrebu
- Vandalizam
- Neobični vremenski uvjeti poput tuče, olujnog vremena, tornada, tsunamija, potresa ili jakih oluja
- Ostali uvjeti okoliša poput kisele kiše, klora/soli u zraku i drugih uvjeta okoliša.

ЕЛЕКТРИЧЕСКА ПИЦА ФУРНА

BG - Ръководство за потребителя

Прочетете и следвайте тези указания, за да помогнете за осигуряване на безопасност и предотвратяване на щети на имущество.

ВНИМАНИЕ: Показва опасна ситуация, която, ако не бъде избегната, може да доведе до леко или умерено нараняване.

ПРЕДУПРЕЖДЕНИЕ: Показва опасна ситуация, която, ако не бъде избегната, може да доведе до смърт или сериозно нараняване.

ОПАСНОСТ: Показва опасна ситуация, която, ако не бъде избегната, ще доведе до смърт или сериозно нараняване..

ПРЕДУПРЕЖДЕНИЕ!

Прочетете тази инструкция внимателно и се уверете, че вашата пица фурна е правилно инсталирана, сглобена, поддържана и обслужвана в съответствие с тези инструкции. Неспазването на тези инструкции може да доведе до сериозни телесни наранявания и/или щети на имуществото.

Ако имате въпроси относно сглобяването или работата на тази пица фурна, моля, консултирайте се с вашия търговец.

Бележки към потребителя:

ТАЗИ ПИЦА ФУРНА Е ЗА ДОМАШНА УПОТРЕБА САМО. ПРОЧЕТЕТЕ ИНСТРУКЦИИТЕ ПРЕДИ ДА ИЗПОЛЗВАТЕ УРЕДА.

ПРЕДУПРЕЖДЕНИЕ: ДОСТЪПНИТЕ ЧАСТИ МОГАТ ДА БЪДАТ МНОГО ГОРЕЩИ, ДРЪЖТЕ МЛАДИ ДЕЦА НАСТОЯТЕЛНО ОТДАЛЕЧЕНИ.

НЕ ПРЕМЕСТВАЙТЕ УРЕДА ПО ВРЕМЕ НА ГОТВЕНЕ. ЗАПАЗЕТЕ РЪКОВОДСТВОТО ЗА БЪДЕЩЕ ИЗПОЛЗВАНЕ. ЧЕРТЕЖИТЕ СА САМО ЗА СПРАВКА.

ЕЛЕКТРИЧЕСКА ПИЦА ФУРНА			
90446 (13 INCH)		90448(17 INCH)	
220-240 V~ 50-60 Hz	2200 W	220-240 V~ 50-60 Hz	2200 W
IPX4	Net weight: 21.8 kg	IPX4	Net weight: 26.4 kg
Millarco International A/S Rokhøj 26, 8520 Lystrup, Denmark www.millarco.com www.cozzebbq.com millarco@millarco.com			



Не изхвърляйте електрическия уред като неразсортирован отпадък, използвайте отделни съоръжения за събиране. Свържете се с местните власти за информация относно наличните системи за събиране. Ако електрическите уреди се изхвърлят в сметища или депа, опасни вещества могат да проникнат в подземните води и да попаднат в хранителната верига, което може да навреди на вашето здраве и благосъстояние.

1.1 Операция

ОПАСНОСТ

- Използвайте пица фурната в добре вентилирано помещение.
- Не използвайте въглища, брикети, течни горива или лава камъни в пица фурната.

ПРЕДУПРЕЖДЕНИЕ

- Използвайте само по начин, описан в това ръководство за потребителя. Неправилното използване може да доведе до пожар, електрически удар или наранявания.
- Тази пица фурна трябва да бъде свързана само с заземен контакт.
- Тази пица фурна трябва да бъде захранвана чрез устройство за остатъчно токово защитаване (RCD) с номинален остатъчен работен ток, не надвишаващ 30 mA.
- Не използвайте пица фурната, ако електрическият контакт е повреден.
- Ако захранващият кабел е повреден, той трябва да бъде заменен от производителя, неговия сервизен агент или подобно квалифицирани лица, за да се избегне опасност.
- Винаги изключвайте, като дърпате за щепсела. Не дърпайте за кабела.
- Не използвайте пица фурната в рамките на 3 м от какъвто и да е вид вода, като басейн или езеро.
- Не използвайте пица фурната в рамките на 60 см от запалими материали. Минималните безопасни разстояния са: Над пица фурната 1,2 м. Отзад и отстрани 60 см (вижте илюстрацията).
- Дръжте готварската зона свободна от запалими пари и течности, като бензин, алкохол и други запалими/възпламеняеми материали.
- Ако възникне пожар от мазнина, затворете капака, изключете бутона за захранване, изключете пица фурната от контакта и оставете капака затворен, докато пожарът не бъде погасен. Не използвайте течности за гасене на пламъци.
- Достъпните части могат да бъдат много горещи. Дръжте младите деца и домашните любимци настрана.
- **ПРЕДУПРЕЖДЕНИЕ:** Пица фурната и нейните достъпни части стават горещи по време на работа. Бъдете внимателни, за да избегнете контакт с нагревателните елементи.
- Тази пица фурна може да бъде използвана от деца на възраст от 8 години нагоре и лица с намалени физически, сензорни или умствени способности или без опит и знания, ако са получили наблюдение или инструкции относно безопасното използване на пица фурната и разбират свързаните с това опасности. Децата не трябва да играят с пица фурната. Почистването и поддръжката на уреда не трябва да се извършват от деца без наблюдение.
- Деца под 8 години трябва да бъдат държани далеч от фурната, освен ако не са под постоянно наблюдение.
- Използването на алкохол, лекарства с рецепта, лекарства без рецепта или нелегални наркотици може да повлияе на способността на потребителя да сглоби, премести, съхранява или използва пица фурната правилно и безопасно.
- Инструкцията относно лица (включително деца) с намалени физически, сензорни или умствени способности, или без опит и знания не се прилага.
- Не оставяйте пица фурната без надзор по време на предварително загряване или използване. Бъдете внимателни при използването на тази пица фурна.
- Не премествайте пица фурната по време на употреба.
- Дръжте захранващия кабел далеч от нагрети повърхности. Следвайте инструкциите за управление на кабела.

- Разположете захранващия кабел далеч от пътища за преминаване. Уредете кабела така, че да не бъде издърпан или спънат.
- Не използвайте пица фурната, ако тя е изпусната или не функционира по какъвто и да е начин.
- Не използвайте въглища или подобни запалими горива с тази пица фурна.
- Пица фурната трябва да бъде свързана с контакт с заземяващ контакт.
- Захранващият кабел трябва редовно да се проверява за признаци на повреда и пица фурната не трябва да се използва, ако кабелът е повреден.
- За да се предпазите от електрически удари, не потапяйте кабела, щепселите, сензорите или пица фурната в вода или други течности.
- За да предотвратите електрически удар, не пръскайте течности вътре в пица фурната.
- Използвайте пица фурната само върху равна, термоустойчива повърхност.
- Използвайте термоустойчиви ръкавици при работа с пица фурната.

ВНИМАНИЕ

- При свързване на пица фурната към захранване, уверете се, че напрежението на захранването съответства на номиналното напрежение, посочено на етикета на пица фурната.
- Не надвишавайте мощността на електрическия контакт.
- Не използвайте пица фурната в никакво превозно средство или в някаква складова или товарна зона на превозно средство. Това включва, но не се ограничава до, коли, камиони, комби, миниванове, спортни utility превозни средства, мобилни домове, каравани и лодки.
- По време на инсталацията: не поставяйте фурната върху повърхности или близо до стени, прегради или кухненски мебели и подобни – освен ако не са направени от незапалими материали или облицовани с незапалими термоизолиращи материали, като се обръща внимание на правилата за предотвратяване на пожари.
- Не използвайте пица фурната с вратата на пица фурната повече от 2 часа, за да предотвратите прегряване на фурната.
- НЕ използвайте камъка върху открит пламък.
- Избягвайте екстремни температурни промени към камъка. НЕ поставяйте замразени храни върху горещ камък.
- Камъкът е крехък и може да се счупи, ако бъде ударен или изпуснат.
- Камъкът е много горещ по време на употреба и остава горещ за дълго време след употреба.
- НЕ охлаждайте камъка с вода, когато камъкът е горещ.
- След почистване на камъка с вода, моля, изсушете камъка преди употреба. Това може да се направи в конвенционална фурна при 60 °C (140 °F) за 2 часа.
- Съхранявайте пица камъка на сухо и топло място.
- Пица камъкът се счита за износваща се част и не е покрит от гаранцията.
- Оставете пица фурната да се охлади преди да я преместите, почистите или съхраните.
- Вратата на пица фурната не трябва да се използва близо до запалими материали по време на готвене. (Продукти на нефтена основа, разреждители или всякакви други твърди обекти, които носят етикет с предупреждение за запалимост.)
- Покривайте пица фурната само когато тя е охладена.

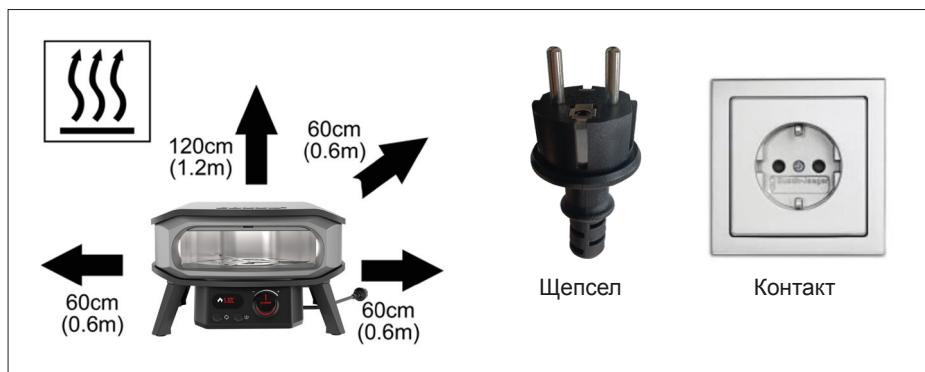
1.2 Инсталация и Сглобяване

ПРЕДУПРЕЖДЕНИЕ

- Този модел пица фурна е предназначен само за самостоятелно използване върху равна повърхност.
- Прочетете внимателно следващите инструкции и се уверете, че вашата пица фурна е правилно инсталирана, сглобена и поддържана. Неспазването на тези инструкции може да доведе до сериозни телесни наранявания и/или щети на имуществото.

ВНИМАНИЕ

- За да се минимизира рискът от щети на имуществото и/или телесни наранявания, не използвайте удължителен кабел, освен ако той не отговаря на спецификациите, посочени в това ръководство за потребителя.
- Ако е необходимо да се използва удължителен кабел, той трябва да бъде свързан с заземен контакт. Използвайте само 14-милиметров кабел със заземен щепсел, подходящ за употреба с пица фурна. Максималната дължина на удължителния кабел е 4 метра. Дръжте удължителния кабел възможно най-кратък. Прегледайте удължителния кабел преди употреба и го сменете, ако е повреден.
- Уверете се, че кабелът не представлява риск от препъване.
- Дръжте връзките сухи.
- Вратата на пица фурната е подвижна врата за вашата пица фурна. Използването на тази врата по време на загряване може да съкрати времето за загряване с 20-30%.
- Вратата на пица фурната трябва да бъде държана далеч от запалими материали по време на употреба.
- Не поставяйте вратата на пица фурната върху запалима повърхност, докато не се охлади.
- Не поставяйте вратата на пица фурната върху горната част на пица фурната по време на готвене.
- НЕ оставяйте опасни предмети, като запалки или запалителни течности, близо до вратата на пица фурната. Всъщност, вратата на пица фурната излъчва топлина във всички посоки след употреба.
- Спазвайте всички местни закони и разпоредби при използване на тази пица фурна.
- Ако имате въпроси относно сглобяването или работата, консултирайте се с вашия търговец.



- Препоръчително е да използвате защитни ръкавици при работа с особено горещи компоненти.
- Частите, запечатани от производителя или неговия агент, не трябва да се манипулират от потребителя
- БЕЛЕЖКА ЗА ПОТРЕБИТЕЛЯ: Запазете това ръководство за бъдеща справка.

2. Характеристики на продукта



A: LED екран, който служи като цифров термометър, показващ температурата в пещта, докато не се достигне зададената температура. Това осигурява прецизно и точно измерване на температурата на вашата пица фурна.

B: Контролният копчето е лесно за използване. Натиснете, за да включите или изключите уреда. Завъртете по часовниковата стрелка, за да увеличите желаната температура, или против часовниковата стрелка, за да намалите желаната температура. Натиснете копчето за три секунди, за да превключите между °F или °C.

C: Бутона за въртящия се мотор контролира отварянето и затварянето на въртящата се рафтова система.

D: Главният бутон за захранване контролира включването и изключването на пица фурната.

E: Вратата на пица фурната се използва както при предварително загряване на фурната, така и при печене на пицата.



ПРЕДУПРЕЖДЕНИЕ
ВИСОКА ТЕМПЕРАТУРА

ВНИМАНИЕ!

НЕ ДОКОСВАЙТЕ ТЕЛЕТО, ГОРНИЯ ПАНЕЛ ИЛИ НАГРЕВАЩАТА СМУКА ПО ВРЕМЕ НА УПОТРЕБА. ДОСТЪПНИТЕ ЧАСТИ МОГАТ ДА БЪДАТ МНОГО ГОРЕЩИ.

ПОДГОТОВКА ЗА УПОТРЕБА

Следвайте тези инструкции внимателно, за да избегнете сериозни повреди на пица фурната и да предотвратите наранявания на себе си и щети на имуществото.

1. Сглобете пица фурната и вратата на пица фурната, като внимателно следвате инструкциите за сглобяване.
2. Свържете пица фурната към захранващ контакт, който е изключен, натиснете основния бутон за захранване (D), за да включите пица фурната, натиснете контролния бутон, за да стартира дисплеят, който ще покаже температурата в пещта. Натиснете бутон (C), за да започнете функцията за въртене.
3. Не забравяйте да изключите захранващия щепсел след употреба.

ФУНКЦИИ НА КОНТРОЛНИЯ БУТОН

- Натиснете копчето, за да влезете в режим на включване и да покажете температурата.
- Завъртете по часовниковата стрелка, за да увеличите желаната температура, или против часовниковата стрелка, за да намалите желаната температура.
- Натиснете копчето за три секунди, за да превключите между °F и °C.
- Настройка на температурата: След като завъртите контролното копче, за да зададете желаната температура, освободете копчето и дисплеят ще мига 3 пъти, за да потвърди зададената температура. Пица фурната ще започне да се загрева, докато не достигне зададената температура. Дисплеят ще показва напредъка от текущата температура до зададената температура. Обърнете внимание, че температурата, показана на дисплея, е зададената температура, избрана от вас. След като поставите храната върху готварската повърхност, температурата на повърхността за готвене ще падне поради студената храна. Дисплеят ще продължи да показва зададената температура и ще се загрева, докато не достигне зададената температура.
- Натиснете копчето, за да изключите захранването.
- Извадете захранващия щепсел от контакта, когато не използвате фурната.

ОКОЛНИ УСЛОВИЯ

- Използването на фурна в по-студен климат или на по-висока надморска височина ще удължи времето за готвене.
- Продължителен вятър ще понижи вътрешната температура на пица фурната.
- Готварските повърхности са лесно заменяеми.

3. Съхранение

- Винаги оставяйте пица фурната да изстине, преди да я съхранявате.
- Винаги изключвайте, като изтегляте щепсела. Не дръпвайте за кабела.
- Покривайте пица фурната само когато е изстинала.
- Винаги съхранявайте покритата пица фурна на топло и сухо място.

4. Почистване и поддръжка

ВНИМАНИЕ: Всички дейности по почистване и поддръжка трябва да се извършват, когато пица фурната е изстинала и захранващият щепсел е изключен от контакта. „Изгарянето“ на пица фурната след всяка употреба (за около 15 минути) ще минимизира остатъците от храна. Препоръчва се почистването и поддръжката на пица фурната да се извършват поне веднъж месечно, за да се удължи животът на пица фурната и да се намали вероятността от проблеми.

5. Почистване

- Оставете пица фурната да изстине, преди да я почистите.
- Не използвайте никакво високо налягане или водоструйно оборудване за почистване на пица фурната.

ВЪНШНА ПОВЪРХНОСТ

- Използвайте мек почистващ препарат или разтвор от сода за хляб и топла вода. За упорити петна може да се използва неабразивен почистващ прах, след което изплакнете с вода.

ПЛАСТАСОВИ ПОВЪРХНОСТИ

- Измийте с мека кърпа и разтвор от топла сапунена вода. Изплакнете с вода. Не използвайте абразивни почистващи средства, обезмаслителни или концентрирани почистващи препарати за барбекю върху пластмасови части.

ПИЦА СТОН

- Използвайте COZZE телена четка, за да отстраните остатъците след „изгаряне“. Ако е необходимо, студената камък може да се изплакне с вода. Уверете се, че камъкът е напълно сух преди следваща употреба.

6. Връщане на уреда за ремонт, обслужване и гаранция

- Не модифицирайте пица фурната. Това може да направи пица фурната небезопасна. Всякакви модификации ще анулират гаранцията.
- Ако не можете да отстраните проблема, следвайки тези инструкции, свържете се с местния си дистрибутор за съвет, преглед или инструкции за ремонт.
- Моля, запазете всички доказателства за плащания и сертификата за инсталация за целите на гаранцията. Ако тези документи не могат да бъдат предоставени, всички гаранции ще бъдат считани за невалидни.

7. Изпечете перфектната пица с вашата пица фурна Cozze

Предварително загрейте пица фурната Cozze до около 400°C. Високата температура е тайната за перфектната пица!

Как да използвате вашата пица фурна:

1. Добре загрейте фурната:

- Включете фурната и я загрейте поне 20 минути, за да се уверите, че камъкът достига 400°C (Използвайте инфрачервен термометър Cozze за прецизност).

2. Изпечете вашата пица:

- Поставете пицата върху горещия, въртящ се камък с помощта на лопатка.
- Намалете температурата по време на печене, за да запазите кората хрупкава без да я изгорите.

3. Между пиците:

- За допълнителни пици, увеличете температурата на максимум за 5 минути, за да загреете отново камъка, след това повторете процеса.

4. Сервирайте и се насладете:

- Премахнете пицата, оставете я да се охлади леко, нарежете я и се насладете.

C Cozze всяка пицова вечер е шедьовър. Приятен апетит!

8. Обща гаранция за Cozze

Cozze предлага двегодишна гаранция за всички продукти.

Тази гаранция подлежи на следните условия:

- Продуктът Cozze се използва съгласно инструкциите в ръководството за потребителя.
- Продуктът Cozze не е модифициран.
- Продуктът Cozze е правилно сглобен съгласно регламентите.
- Продуктът Cozze се поддържа и редовно почиства съгласно ръководството за потребителя.
- Съхранявайте продукта Cozze покрит с капак, когато не се използва.
- Зимно съхранение на Cozze: Всички дървени части, пицови камъни и аксесоари за Cozze трябва да се съхраняват на закрито през зимата.
- Продуктът Cozze е, когато е приложимо, свързан с правилния тип газ или електричество.
- Продуктът Cozze е поставен на равна и безопасна повърхност.
- Продуктът Cozze не е оборудван с неоригинални части на Cozze.
- Продуктът Cozze не трябва да се съхранява като солиден компонент в близост до морето, хлорирани басейни или джакузита.
- Продуктът Cozze се използва само за лична употреба.

Гаранцията не покрива продукти Cozze, които са дефектни, повредени или по друг начин влошени в резултат на:

- Очаквано износване при нормална употреба
- Вандализъм
- Необичайни метеорологични условия като градушка, бурно време, торнадо, цунами, земетресения или силни бури.
- Други условия на околната среда като киселинен дъжд, хлор/сол в въздуха и други екологични условия.

ELEKTRISKĀ PICAS CEPEŠKRĀSNS

LV - Lietotāja Roktis

Izlasiet un ievērojiet šos norādījumus, lai palīdzētu nodrošināt drošību un novērstu īpašuma bojājumus.

UZMANĪBU: Norāda uz bīstamu situāciju, kas, ja tiek ignorēta, var izraisīt nelielas vai vidējas traumas.

BRĪDINĀJUMS: Norāda uz bīstamu situāciju, kas, ja tiek ignorēta, var izraisīt nāvi vai smagas traumas.

BŪTISKS BĪSTAMĪBAS RŪPES: Norāda uz bīstamu situāciju, kas, ja tiek ignorēta, izraisīs nāvi vai smagas traumas.

BRĪDINĀJUMS!

Izlasiet šo norādījumu uzmanīgi un pārliecinieties, ka jūsu picas cepeškrāsns ir pareizi uzstādīta, salikta, apkopta un apkalpota saskaņā ar šiem norādījumiem. Norādījumu neievērošana var izraisīt smagas ķermeņa traumas un/vai īpašuma bojājumus.

Ja jums ir kādi jautājumi par šīs picas cepeškrāsns salikšanu vai darbību, lūdzu, sazinieties ar jūsu tirgotāju.

Piezīmes lietotājam:

Šī picas cepeškrāsns ir paredzēta tikai mājāsaimniecības lietošanai. **IEVĒROJIET NORĀDĪJUMUS PIRMS IERĪCES LIETOŠANAS.**

BRĪDINĀJUMS: PIEEJAMIE SADAĻAS VAR BŪT ĻOTI KARSTI, TURIET MAZUS BĒRNIUS NO TĀLUMA.

NEPĀRVADĀJIET IERĪCI GATAVOŠANAS LAIKĀ. SAGLABĀJIET ROKASGRĀMATU NĀKOTNĒS ATSAUCIEM. ZĪMĒJUMI IR TIKAI ATSAUCES MĒRĶIEM.

ELEKTRISKĀ PICAS CEPEŠKRĀSNS			
90446(13 INCH)		90448(17 INCH)	
220-240 V~ 50-60 Hz	2200 W	220-240 V~ 50-60 Hz	2200 W
IPX4	Net weight: 21.8 kg	IPX4	Net weight: 26.4 kg
Millarco International A/S Rokhøj 26, 8520 Lystrup, Denmark www.millarco.com www.cozzebbq.com millarco@millarco.com			



Neiznīciniet elektroierīci kā nesortētu pašvaldības atkritumu, izmantojiet atsevišķas savākšanas iekārtas. Sazinieties ar savu vietējo pašvaldību, lai iegūtu informāciju par pieejamajiem savākšanas sistēmas. Ja elektroierīces tiek iznīcinātas izgāztuvēs vai atkritumu vietās, bīstamas vielas var nokļūt gruntsūdeņos un iekļūt pārtikas ķēdē, kaitējot jūsu veselībai un labklājībai.

1.1 Darbība

BŪTISKS BĪSTAMĪBAS RŪPES

- Izmantojiet picas cepeškrāsni labi vēdināmā vietā.
- Nekad neizmantojiet ogles, briketes, šķidro kurināmo vai lavu picas cepeškrāsnī.

BRĪDINĀJUMS

- Izmantojiet picas cepeškrāsni labi vēdināmā vietā.
- Nekad neizmantojiet ogles, briketes, šķidro kurināmo vai lavu picas cepeškrāsnī.
- Izmantojiet tikai tā, kā aprakstīts šajā lietotāja rokasgrāmatā. Nepareiza lietošana var izraisīt uguni, elektriskus šokus vai traumas.
- Šī picas cepeškrāsns jāpieņem tikai uz kontaktligzdu ar zemējumu.
- Šī picas cepeškrāsns jāapgādā ar atlikušās strāvas ierīci (RCD), kuras nominālais atlikušais darba strāvas stiprums nepārsniedz 30 mA.
- Nedarbiniet picas cepeškrāsni, ja elektriskā kontaktligzda ir bojāta.
- Ja piegādes vads ir bojāts, to jāaizstāj ražotājam, tā servisa aģentam vai līdzīgi kvalificētiem personām, lai novērstu briesmas.
- Vienmēr izņemiet kontaktligzdu, turot to, nevelkot kabeli.
- Nelietojiet picas cepeškrāsni tuvāk par 3 metriem no ūdens avotiem, piemēram, baseiniem vai dīķiem.
- Nelietojiet picas cepeškrāsni tuvāk par 60 cm no viegli uzliesmojošiem materiāliem. Minimālās drošības distances ir: Virs picas cepeškrāsns 1,2 m. Aizmugurē un sānos 60 cm (skatīt ilustrāciju).
- Turiet gatavošanas zonu brīvu no uzliesmojošiem tvaikiem un šķidrumiem, piemēram, benzīna, alkohola utt., un viegli uzliesmojošiem/degšanas materiāliem.
- Ja notiek eļļas ugunsgrēks, aizveriet vāku, izslēdziet jaudas slēdzi, atvienojiet picas cepeškrāsni no kontaktligzdas un atstājiet vāku aizvērtu līdz ugunsdzēsīšanai. Neizmantojiet šķidrumus liesmu dzēsīšanai.
- Pieejamās daļas var būt ļoti karstas. Turiet mazos bērnus un dzīvniekus no tās tālāk.
- BRĪDINĀJUMS: Picas cepeškrāsns un tās pieejamās daļas kļūst karstas lietošanas laikā. Jābūt uzmanīgam, lai neveiktu saskari ar apkures elementiem.
- Šo picas cepeškrāsni var lietot bērni no 8 gadu vecuma un personas ar samazinātām fiziskajām, sensorajām vai garīgajām spējām vai pieredzes un zināšanu trūkumu, ja viņiem ir sniegta uzraudzība vai norādījumi par drošu picas cepeškrāsns lietošanu un viņi saprot ar to saistītās briesmas. Bērni nedrīkst spēlēties ar picas cepeškrāsni. Tīrīšanu un lietotāja apkopi nedrīkst veikt bērni bez uzraudzības.
- Bērni, kas jaunāki par 8 gadiem, jāuztur no tās tālāk, ja vien viņi netiek pastāvīgi uzraudzīti.
- Alkohola, recepšu zāļu, bezrecepšu zāļu vai narkotiku lietošana var traucēt patērētāja spēju pareizi un droši salikt, pārvietot, uzglabāt vai darbināt picas cepeškrāsni.
- Norādījumi par personām (ieskaitot bērnus) ar samazinātām fiziskajām, sensorajām vai garīgajām spējām vai pieredzes un zināšanu trūkumu nav piemērojami.
- Nelietojiet picas cepeškrāsni, ja tā tiek atstāta bez uzraudzības pirmskarsēšanas vai lietošanas laikā. Lietojiet uzmanību, lietojot šo picas cepeškrāsni.
- Nelietojiet picas cepeškrāsni tās lietošanas laikā.
- Turiet jebkuru elektrisko piegādes vadu tālāk no uzsildītām virsmām. Sekojiet kabeļa vadīšanas norādījumiem.

- Novietojiet barošanas vadu prom no satiksmes zonām. Sakārtojiet kabeli tā, lai to nevarētu noraut vai pakļūpt uz tā.
- Nelietojiet picas cepeškrāsni, ja tā ir nomesta vai darbojas nepareizi jebkādā veidā.
- Ogles vai līdzīgi uzliesmojoši kurināmie nav jāizmanto ar šo picas cepeškrāsni.
- Picas cepeškrāsni ir jāpievieno kontaktligzdai ar zemējuma kontaktu.
- Piegādes vadu jāizskata regulāri, lai pārbaudītu bojājumus, un picas cepeškrāsni nedrīkst izmantot, ja vads ir bojāts.
- Lai aizsargātu pret elektriskiem šokiem, neiegremdējiet kabeli, spraudņus, sensorus vai picas cepeškrāsni ūdenī vai citos šķidrumos.
- Lai novērstu elektriskos šokus, neizsmidziniet šķidrumu picas cepeškrāsni.
- Izmantojiet picas cepeškrāsni tikai uz līdzena, karstumizturīga virsmas.
- Lietojiet karstumizturīgus cimds, lietojot picas cepeškrāsni.

UZMANĪBU

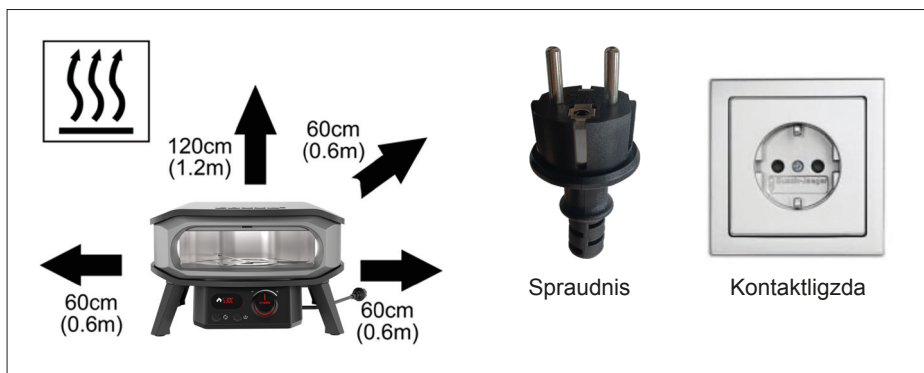
- Pievienojot šo picas cepeškrāsni pie barošanas avota, pārliecinieties, ka piegādes spriegums atbilst picas cepeškrāsns etiķetē norādītajam sprieguma novērtējumam.
- Nepārsniedziet elektriskās kontaktligzdas jaudas ierobežojumu.
- Nelietojiet picas cepeškrāsni nevienā transportlīdzeklī vai transportlīdzeklā uzglabāšanas vai kravas nodalījumā. Tas ietver, bet neaprobežojas ar automašīnām, kravas automašīnām, universālajām automašīnām, miniveniem, sporta apvidus transportlīdzekļiem, mobilajām mājām, karavānām un laivām.
- Instalācijas laikā: nelieciet uz virsmām vai tuvu sienām, starpsienām vai virtuves mēbelēm un līdzīgām – ja vien tās nav izgatavotas no neuzliesmojoša materiāla vai pārklātas ar neuzliesmojošu siltumizolējošu materiālu, un ievērojiet ugunsdrošības noteikumus.
- Nelietojiet picas cepeškrāsni ar picas cepeškrāsns durvīm ilgāk par 2 stundām, lai novērstu cepeškrāsns pārkaršanu.
- NEIZMANTOJIET akmeni uz atklātas liesmas.
- Izvairieties no ekstremāliem temperatūras izmaiņām uz akmens. NEIZLIETOJIET sasalušus ēdienus uz karsta akmens.
- Akmens ir trausls un var salūzt, ja tiek sasists vai nomests.
- Akmens ir ļoti karsts lietošanas laikā un paliek karsts ilgu laiku pēc lietošanas.
- NEIZLIETOJIET ūdeni, lai dzesētu akmeni, kad tas ir karsts.
- Pēc akmens tīrīšanas ar ūdeni, lūdzu, izžāvējiet akmeni pirms lietošanas. To var izdarīt parastā cepeškrāsni pie 60 °C (140 °F) uz 2 stundām.
- Uzglabājiet picas akmeni sausā un siltā vietā.
- Picas akmens tiek uzskatīts par nodiluma daļu un netiek segts ar garantiju.
- Atļaujiet picas cepeškrāsnei atdzist pirms pārvietošanas, tīrīšanas vai uzglabāšanas.
- Picas cepeškrāsns durvis nedrīkst lietot netālu no uzliesmojošiem materiāliem gatavošanas laikā. (Petrolija bāzes produkti, šķīdinātāji vai jebkurš cits ciets objekts, kam ir uzliesmojoša brīdinājuma uzlīme.)
- Pārklājiet picas cepeškrāsni tikai tad, kad tā ir atdzisusi.

1.2 Uzstādīšana un montāža

- Šis picas cepeškrāsns modelis ir paredzēts tikai stāvošai lietošanai uz līdzena virsmas.
- Izlasiet šos norādījumus uzmanīgi un pārliecinieties, ka jūsu picas cepeškrāsns ir pareizi uzstādīta, salikta un kopta. Norādījumu neievērošana var izraisīt smagas ķermeņa traumas un/vai īpašuma bojājumus.

UZMANĪBU

- Lai samazinātu īpašuma bojājumu un/vai personisko traumu risku, nelietojiet pagarinātāju, ja tas neatbilst šajā lietotāja rokasgrāmatā norādītajām specifikācijām.
- Ja nepieciešams izmantot pagarinātāju, tas jāpievieno kontaktligzdai ar zemējumu. Izmantojiet tikai 14-gaužas kabeli ar zemējuma spraudni, kas piemērots picas cepeškrāsns lietošanai. Maksimālais pagarinātāja garums ir 4 metri. Turiet pagarinātāju pēc iespējas tsāku. Pirms lietošanas pārbaudiet pagarinātāju un aizstājiet to, ja tas ir bojāts.
- Pārliecinieties, ka vads nerada pakļupšanas risku.
- Turiet savienojumus sausus.
- Picas cepeškrāsns durvis ir mobilas durvis jūsu picas cepeškrāsnim. Šo picas cepeškrāsns durvju lietošana apkures laikā var samazināt apkures laiku par 20-30%.
- Picas cepeškrāsns durvis jāuzglabā no uzliesmojošiem materiāliem lietošanas laikā.
- Picas cepeškrāsns durvis nedrīkst novietot uz uzliesmojošas virsmas līdz tās ir atdzisušas.
- Nelietojiet picas cepeškrāsns durvis uz picas cepeškrāsns augšpuses gatavošanas laikā.
- NEATSTĀJIET bīstamus objektus, piemēram, šķiltavas vai ugunsšķidruma pudeles, netālu no picas cepeškrāsns durvīm. Patiesībā picas cepeškrāsns durvis pēc lietošanas izstaro siltumu visos virzienos.
- Ievērojiet visus vietējos likumus un noteikumus, lietojot šo picas cepeškrāsni.
- Ja jums ir jautājumi par montāžu vai darbību, konsultējieties ar savu izplatītāju.
- Ieteicams izmantot aizsargcimdus, apstrādājot īpaši karstās sastāvdaļas.
- Ražotāja vai tā aģenta aizzīmogatās daļas nedrīkst manipulēt ar lietotāju.
- **PIEZĪME PATĒRĒTĀJAM:** Saglabājiet šo rokasgrāmatu turpmākai atsaucešanai.



2. Produkta īpašības



A: LED ekrāns kalpo kā digitālais termometrs, kas parāda krāsns kameras temperatūru līdz tiek sasniegta iestatītā temperatūra. Tas nodrošina precīzu un precīzu temperatūras mērījumu jūsu picas cepeškrāsnī.

B: Vadības pogu ir viegli lietot. Spiediet, lai ieslēgtu vai izslēgtu ierīci. Grieziet pulksteņrādītāja virzienā, lai palielinātu vēlamo temperatūru, vai grieziet pret pulksteņrādītāja virzienu, lai samazinātu vēlamo temperatūru. Spiediet pogu trīs sekundes, lai pārslēgtos starp °F un °C.

C: Rotējošā motora poga kontrolē rotējošās plaukta atvēršanu un aizvēršanu.

D: Galvenā jaudas poga kontrolē picas cepeškrāsns ieslēgšanu un izslēgšanu.

E: Picas cepeškrāsns durvis tiek izmantotas gan krāsns uzsildīšanai, gan picas cepšanai.



BRĪDINĀJUMS
AUGSTA TEMPERATŪRA

UZMANĪBU!

NEDRĪKSTIET PIEKĀRTIES KĒRMEĒM,
AUGŠĒJAI PĀNNU VAI SILDĪŠANAS
VADAM LIETOŠANAS LAIKĀ. PIEEJAMIE
SADAĻAS VAR BŪT ĻOTI KARSTAS.

SAGATAVOŠANA LIETOŠANAI

Izpildiet šos norādījumus uzmanīgi, lai izvairītos no nopietniem bojājumiem jūsu picas cepeškrāsnī un lai novērstu savainojumus sev un ģimīšanai.

1. Salikiet picas cepeškrāsnī un picas cepeškrāsns durvis, rūpīgi ievērojot montāžas norādījumus.
2. Pievienojiet picas cepeškrāsnī pie barošanas līgšanas, kas ir izslēgta, nospiediet galveno jaudas pogu (D), lai ieslēgtu picas cepeškrāsnī, nospiediet vadības pogu, lai displejs sāktu darboties, un displejs parādīs krāsns kameras temperatūru. Nospiediet pogu (C), lai sāktu rotācijas funkciju.
3. Neaizmirstiet izvilkt barošanas spraudni pēc lietošanas.

VADĪBAS POGU FUNKCIJAS

- Nospiediet pogu, lai ieieta ieslēgšanas stāvoklī un parādītu temperatūru.
- Grieziet pulksteņrādītāja virzienā, lai palielinātu vēlamo temperatūru, vai griezum pret pulksteņrādītāja virzienu, lai samazinātu vēlamo temperatūru.
- Nospiediet pogu uz trīs sekundēm, lai pārslēgtos starp °F un °C.
- Temperatūras iestatīšana: Kad esat pagriezuši vadības pogu, lai iestatītu vēlamo temperatūru, atlaidiet vadības pogu, un displejs mirgos 3 reizes, lai apstiprinātu iestatīto temperatūru. Picas cepeškrāsns tagad sāks uzsilt līdz iestatītajai temperatūrai. Displejs parādīs progresu no pašreizējās temperatūras līdz iestatītajai temperatūrai. Ņemiet vērā, ka displejā redzamā temperatūra ir iestatītā temperatūra, un pēc tam, kad ēdiens tiks novietots uz gatavošanas virsmas, gatavošanas temperatūra samazināsies, jo ēdiens būs auksts. Displejs joprojām rādīs iestatīto temperatūru un turpinās uzsilt līdz tās sasniegšanai.
- Nospiediet pogu, lai izslēgtu.
- Izvelciet barošanas spraudni no kontaktlīgšanas, kad neizmantojat cepeškrāsnī.

VIDES APSTĀKĻI

- Picas cepeškrāsns izmantošana aukstākā klimatā vai augstā augstumā pagarinās jūsu gatavošanas laiku.
- Pastāvīgs vējš samazinās picas cepeškrāsns iekšējo temperatūru.
- Gatavošanas virsmas ir viegli nomaināmas.

3. Uzglabāšana

- Vienmēr ļaujiet picas cepeškrāsnij atdzist pirms uzglabāšanas.
- Vienmēr izvelciet spraudni, nevis vilkt kabeli.
- Aizveriet picas cepeškrāsnī tikai tad, kad tā ir atdzisusi.
- Vienmēr uzglabājiet aizklātu picas cepeškrāsnī siltā un sausā vietā.

4. Tīršana un kopšana

UZMANĪBU: Visa tīršana un apkope jāveic, kad picas krāsns ir atdzisusi un strāvas vads ir atvienots no kontaktligzdas. "Iededzinot" picas krāsni pēc katras lietošanas (aptuveni 15 minūtes), tiks samazināts pārmērīgu ēdiena atlikumu uzkrāšanās risks. Ieteicams veikt picas krāsns tīršanu un apkopi vismaz reizi mēnesī, lai pagarinātu tās kalpošanas laiku un samazinātu problēmu iespējamību.

5. Tīršana

- Ļaujiet picas krāsnij atdzist, pirms sākat to tīrīt.
- Nelietojiet augstspiediena tvaika iekārtas vai ūdens strūklu, lai tīrītu picas krāsni.

ĀRĒJĀ VIRSMĀ

- Izmantojiet vieglu mazgāšanas līdzekli vai sodas un karsta ūdens šķīdumu. Uzstājīgiem traipiem var izmantot neabrazīvu tīršanas pulveri, pēc tam noskalojiet ar ūdeni.

PLASTMASAS VIRSMAS

- Mazgājiet ar mīkstu drānu un karsta ziepjūdens šķīdumu. Noskalojiet ar ūdeni. Neizmantojiet abrazīvus tīršanas līdzekļus, attaukotājus vai koncentrētu grila tīrītāju uz plastmasas detaļām.

PICAS AKMENS

- Izmantojiet COZZE stiepiju birsti, lai notīrītu atlikumus pēc "izdedzināšanas". Ja nepieciešams, aukstu akmeni var noskalot ar ūdeni. Pārliecinieties, ka akmens pirms nākamās lietošanas ir pilnīgi sauss.

6. Atgriežot ierīci remontam, apkopei un garantijai

- Nemodificējiet picas krāsni. Tas var padarīt picas krāsni nedrošu. Jebkādas modifikācijas anulēs garantiju.
- Ja nevarat novērst kādu problēmu, ievērojot šos norādījumus, sazinieties ar vietējo izplatītāju, lai saņemtu padomus, pārbaudes vai remonta instrukcijas.
- Lūdzu, saglabājiet visus maksājuma apliecinājumus un uzstādīšanas sertifikātu garantijas nolūkos. Ja šos dokumentus nevar uzrādīt, visas garantijas tiks uzskatītas par nederīgām.

7. Cepiet ideālu picu ar savu Cozze pīcas krāsni

Iepriekš uzkarsējiet savu Cozze pīcas krāsni līdz aptuveni 400°C. Augstā temperatūra ir noslēpums perfektai pīcai!

Kā lietot savu pīcas krāsni:

1. Rūpīgi uzkarsējiet iepriekš:

- Iespraudiet krāsni un uzkarsējiet vismaz 20 minūtes, lai nodrošinātu, ka akmens sasniedz 400°C (izmantojiet Cozze infrasarkanā termometru precizitātei).

2. Cepiet savu picu:

- Novietojiet picu uz karstā, rotējošā akmens, izmantojot lāpstu.
- Pārvietojiet temperatūru uz zemu cepšanas laikā, lai saglabātu kraukšķīgu mīklu, neapdedzinot to.

3. Starp picām:

- Lai cepiet papildu pīcas, paaugstiniet temperatūru līdz maksimālajai 5 minūtes, lai uzsildītu akmeni, pēc tam atkārtojiet procesu.

4. Pasniedziet un izbaudiet:

- Noņemiet picu, ļaujiet tai nedaudz atdzist, sagrieziet un baudiet.

Ar Cozze katra pīcas vakariņa ir meistardarbs.

Labu apetīti!

8. Vispārējā Cozze garantija

Cozze nodrošina 2 gadu garantiju uz visiem produktiem. Iepriekš minētā garantija ir pakļauta šādiem nosacījumiem:

- Cozze produkts tiek lietots saskaņā ar lietotāja rokasgrāmatā norādītajām instrukcijām.
- Cozze produkts nav modificēts.
- Cozze produkts ir pareizi salikts atbilstoši noteikumiem.
- Cozze produkts tiek apkopts un regulāri tīrīts saskaņā ar lietotāja rokasgrāmatu.
- Uzglabājiet Cozze produktu pārklātu ar vāku, kad tas netiek lietots.
- Cozze ziemas uzglabāšana: visi koka elementi, pīcas akmeņi un Cozze piederumi jāuzglabā iekštelpās ziemā.
- Cozze produkts, ja nepieciešams, ir pieslēgts pareizajam gāzes vai elektrības veidam.
- Cozze produkts ir novietots uz līdzena un droša virsmas.
- Cozze produkts nav aprīkots ar neoriģinālām Cozze daļām.
- Cozze produktu nevajadzētu uzglabāt kā cietu komponentu tuvu jūrai, hlorētiem peldbaseiniem vai burbuļvannām.
- Cozze produkts tiek izmantots tikai privātai lietošanai.

Garantija neattiecas uz:

Cozze produktiem, kas ir bojāti, sabojāti vai citādi pasliktinājušies šādu iemeslu dēļ:

- Parasts nolietojums normālas lietošanas laikā.
- Vandālisms.
- Neparasti laika apstākļi, piemēram, krusa, vētras, viesuļvētras, tsunamiji, zemestrīces vai smagas vētras.
- Citi apstākļi, piemēram, skābais lietus, hlorīns/sāls gaisā un citi vides apstākļi.

ELEKTRINĖ PICOS ORKAITĖ

LT - Vartotojo vadovas

Skaitykite ir sekite šias nuostatas, kad padėtumėte užtikrinti saugumą ir išvengtumėte turto sugadinimo.

ĮSPĖJIMAS: Nurodo pavojingą situaciją, kuri, jei bus ignoruojama, gali sukelti nedidelį ar vidutinį sužeidimą.

ĮSPĖJIMAS: Nurodo pavojingą situaciją, kuri, jei bus ignoruojama, gali sukelti mirtį ar rimtą sužeidimą.

PAVOJUS: Nurodo pavojingą situaciją, kuri, jei bus ignoruojama, sukels mirtį ar rimtą sužeidimą.

ĮSPĖJIMAS!

Atidžiai perskaitykite šias instrukcijas ir užtikrinkite, kad jūsų picos orkaitė būtų teisingai įdiegta, sukomplektuota, prižiūrima ir aptarnaujama pagal šias instrukcijas. Nepaisymas šių instrukcijų gali sukelti rimtus sužeidimus ir/arba turto sugadinimą.

Jei turite kokių nors klausimų dėl šios picos orkaitės surinkimo ar naudojimo, prašome kreiptis į savo tiekėją.

Pastabos vartotojui:

ŠI PICOS ORKAITĖ YRA TIK NAMŲ NAUDOJIMUI. PRIEŠ NAUDOJANT ĮRENGINĮ, SKAITYKITE INSTRUKCIJAS.

ĮSPĖJIMAS: PASIEKIAMOS DALYS GALI BŪTI LABAI KARŠTOS, LAIKYKITE MAŽUS VAIKUS TOLIAU.

NEKELKITE ĮRENGINIO PAGAMINIMO METU. IŠLAIKYKITE VADOVĄ ATEITIES NUORODOMS. PIEŠINIAI YRA TIK INFORMACIJAI.

ELEKTRINĖ PICOS ORKAITĖ			
90446 (13 INCH)		90448 (17 INCH)	
220-240 V~ 50-60 Hz	2200 W	220-240 V~ 50-60 Hz	2200 W
IPX4	Net weight: 21.8 kg	IPX4	Net weight: 26.4 kg
Millarco International A/S Rokhøj 26, 8520 Lystrup, Denmark www.millarco.com www.cozzebbq.com millarco@millarco.com			



Nepalikite elektros įrenginio kaip nesurūšiuoto miesto atliekų, naudokite atskiras surinkimo sistemas. Susisiekite su vietos valdžia dėl informacijos apie prieinamas surinkimo sistemas. Jei elektros įrenginiai bus išmetami į švartynus ar šiukšlynus, pavojingos medžiagos gali prasiskverbti į gruntinius vandenius ir patekti į maisto grandinę, kenkdamas jūsų sveikatai ir gerovei.

1.1 Veikimas

PAVOJUS

- Naudokite picų krosnį gerai vėdinamoje patalpoje.
- Nenaudokite medžio anglies, briketų, skysto kuro ar lavos akmenų picų krosnyje.

ĮSPĖJIMAS

- Naudokite tik pagal šiame naudotojo vadove pateiktas instrukcijas. Netinkamas naudojimas gali sukelti gaisrą, elektros smūgį ar sužalojimą.
- Ši picų krosnis turi būti prijungta tik prie įžemintos elektros lizdo.
- Ši picų krosnis turi būti prijungta per liekamosios srovės įtaisą (RCD), kurio vardinė liekamoji srovė neviršija 30 mA.
- Nenaudokite picų krosnies, jei elektros lizdas yra pažeistas.
- Jei maitinimo laidas yra pažeistas, jį turi pakeisti gamintojas, jo aptarnavimo atstovas arba kvalifikuoti asmenys, kad būtų išvengta pavojaus.
- Visada atjunkite traukdami už kištuko, o ne už laido.
- Nenaudokite picų krosnies arčiau nei 3 m nuo bet kokio vandens telkinio, pavyzdžiui, baseino ar tvenkinio.
- Nenaudokite picų krosnies arčiau nei 60 cm nuo degių medžiagų. Minimalūs saugūs atstumai: virš picų krosnies – 1,2 m, užpakalinėje ir šoninėse pusėse – 60 cm (žr. iliustraciją).
- Laikykite kepimo zoną be degių garų ir skysčių, tokių kaip benzinas, alkoholis ir pan., bei degių medžiagų.
- Jei užsidega riebalai, uždenkite dangtį, išjunkite maitinimo mygtuką, atjunkite picų krosnį nuo elektros lizdo ir laikykite dangtį uždarytą, kol ugnis užges. Nedeginkite liepsnų skysčiu.
- Pasiekiamos dalys gali būti labai karštos. Laikykite mažus vaikus ir augintinius atokiau.
- ĮSPĖJIMAS: Picų krosnis ir jos pasiekiamos dalys naudojimo metu tampa karštos. Būkite atsargūs ir nelieskite kaitinimo elementų.
- Šią picų krosnį gali naudoti vaikai nuo 8 metų amžiaus ir vyresni bei asmenys su sumažintais fiziniais, jutimais ar protiniais gebėjimais arba turintys nepakankamai patirties ir žinių, jei jie yra prižiūrimi arba gavo instrukcijas, kaip saugiai naudoti picų krosnį ir supranta su tuo susijusius pavojus. Vaikai neturėtų žaisti su picų krosnimi. Valymo ir priežiūros darbus vaikai gali atlikti tik prižiūrimi suaugusiųjų.
- Vaikai, jaunesni nei 8 metų, turi būti laikomi atokiau, nebent jie yra nuolat prižiūrimi.
- Alkoholio, receptinių ar nereceptinių vaistų arba nelegalių narkotikų vartojimas gali paveikti vartotojo gebėjimą tinkamai ir saugiai surinkti, perkelti, laikyti ar naudoti picų krosnį.
- Ši instrukcija dėl asmenų (įskaitant vaikus) su sumažintais fiziniais, jutimais ar protiniais gebėjimais, arba turinčių nepakankamai patirties ir žinių, nėra taikoma.
- Neatidarykite picų krosnies be priežiūros įkaitinimo ar naudojimo metu. Būkite atsargūs naudodami šią picų krosnį.
- Nenaudokite picų krosnies jos veikimo metu.
- Laikykite bet kokius elektros laidus atokiau nuo įkaitusių paviršių. Vadovaukitės laido tvarkymo instrukcijomis.
- Padėkite elektros laidą toliau nuo eismo zonų. Sureguliuokite laidą taip, kad jis nebūtų nutemptas ar neužkliudomas.
- Nenaudokite picų krosnies, jei ji nukrito ar bet koku būdu sugenda.

- Šioje picų krosnyje negalima naudoti anglies ar kitų degių kuro medžiagų.
- Picų krosnis turi būti prijungta prie įžeminto elektros lizdo.
- Maitinimo laidas turi būti reguliariai tikrinamas dėl pažeidimų, o jei jis yra pažeistas, krosnies negalima naudoti.
- Kad išvengtumėte elektros smūgio, nelaikykite laido, kištukų, zondu ar picų krosnies vandenyje ar kituose skysčiuose.
- Kad išvengtumėte elektros smūgio, nepurškite skysčių į picų krosnies vidų.
- Naudokite picų krosnį tik ant lygaus, karščiui atsparaus paviršiaus.
- Naudokite karščiui atsparias pirštines, kai dirbate su picų krosnimi.

ATSARGIAI

- Prijungiant šią picų krosnį prie elektros tinklo, įsitinkite, kad maitinimo įtampos reikšmė atitinka ant picų krosnies etiketės nurodytą įtampos reitingą.
- Neviršykite elektros lizdo galios ribos.
- Nenaudokite picų krosnies jokiam automobilyje ar bet kokio tipo transporto priemonės sandėliavimo ar krovinio skyriuje. Tai apima, bet tuo neapsiriboja, automobilius, sunkvežimius, universalius automobilius, mikroautobusus, visureigius, namelius ant ratų, priekabas ir valtis.
- Montavimo metu: nedėkite ant paviršių ar šalia sienų, pertvarų, virtuvės baldų ir panašių daiktų, nebent jie yra pagaminti iš nedegių medžiagų arba padengti nedegiomis šilumą izoliuojančiomis medžiagomis, ir laikykitės gaisro prevencijos taisyklių.
- Nenaudokite picų krosnies su picų krosnies durelėmis ilgiau nei 2 valandas, kad išvengtumėte perkaitimo.
- **NEDEGINKITE** akmens ant atviros liepsnos.
- Venkite staigių temperatūros pokyčių akmeniui. **NEDEKITE** šaldytų produktų ant karšto akmens.
- Akmenys yra trapūs ir gali lūžti, jei bus užgauti ar numesti.
- Naudojimo metu akmuo labai įkaista ir ilgai išlieka karštas po naudojimo.
- **NEATŠALDYKITE** akmens vandeniui, kai jis yra karštas.
- Po valymo vandeniui būtina išdžiovinkite akmenį prieš naudojimą. Tai galite padaryti įprastoje orkaitėje 60 °C (140 °F) temperatūroje 2 valandas.
- Laikykite picų akmenį sausoje ir šiltoje vietoje.
- Picų akmuo laikomas dėvima dalimi ir nėra įtrauktas į garantiją.
- Leiskite picų krosniai atvėsti prieš perkeliančią, valant ar laikant.
- Picų krosnies durelės neturėtų būti naudojamos šalia degių medžiagų kepimo metu. (Naftos pagrindu pagaminti produktai, tirpikliai ar bet koks kietas objektas, pažymėtas kaip degus.)
- Uždenkite picų krosnį tik tada, kai ji yra atvėsusi.

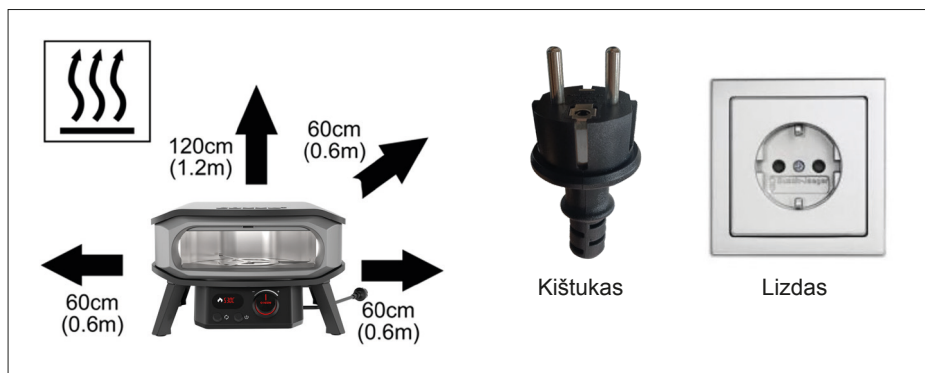
1.2 Montavimas ir surinkimas

ĮSPĖJIMAS

- Šis picų krosnies modelis skirtas naudoti tik kaip laisvai stovintis įrenginys ant lygaus paviršiaus.
- Atidžiai perskaitykite šias instrukcijas ir įsitikinkite, kad jūsų picų krosnis yra tinkamai įrengta, surinkta ir prižiūrima. Nepaisant šių instrukcijų, gali kilti rimtų kūno sužalojimų ir (arba) materialinė žala.

ATSARGIAI

- Siekiant sumažinti materialinės žalos ir (arba) asmens sužalojimų riziką, nenaudokite prailginimo kabelio, jei jis neatitinka šiame naudotojo vadove nurodytų specifikacijų.
- Jei būtina naudoti prailginimo laidą, jis turi būti prijungtas prie įžeminto elektros lizdo. Naudokite tik 14 gabarito laidą su įžemintu kištuku, tinkantį naudoti su picų krosnimi. Maksimalus prailginimo laido ilgis – 4 metrai. Laikykite prailginimo laidą kuo trumpesnį. Prieš naudojimą patikrinkite prailginimo laidą ir, jei jis pažeistas, pakeiskite jį.
- Įsitikinkite, kad laidas nesukelia užkliuvimo pavojaus.
- Laikykite jungtis sausas.
- Picų krosnies durelės yra mobilios durelės jūsų picų krosniai. Naudojant šias dureles šildymo metu, šildymo laikas gali sutrumpėti 20–30%.
- Naudojimo metu picų krosnies durelės turi būti laikomos atokiau nuo degių medžiagų.
- Picų krosnies durelių nedėkite ant jokių degių paviršių, kol jos neataušo.
- Nedėkite picų krosnies durelių ant krosnies viršaus kepimo metu.
- **NEPALIKITE** pavojingų objektų, tokių kaip žiebtuvėlis ar degimo skystis, šalia jūsų picų krosnies durelių. Iš tiesų, picų krosnies durelės po naudojimo skleidžia šilumą į visas puses.
- Laikykitės visų vietinių įstatymų ir taisyklių, kai naudojate šią picų krosnį.
- Jei turite klausimų dėl surinkimo ar veikimo, kreipkitės į savo pardavėją.
- Rekomenduojama naudoti apsaugines pirštines tvarkant ypač karštus komponentus.
- Gamyklos ar jos atstovo užplombuotos dalys neturi būti vartotojo manipuliuojamos.
- **PASTABA VARTOTOJUI:** Laikykite šį vadovą ateičiai.



2. Produkto savybės



A: LED ekranas veikia kaip skaitmeninis termometras, rodantis krosnies kamerų temperatūrą, kol pasiekiami nustatyta temperatūra. Tai užtikrina tikslių ir tikslių jūsų picų krosnies temperatūros rodymą.

B: Valdymo rankenėlė yra lengvai naudojama. Paspauskite, kad įjungtumėte arba išjungtumėte įrenginį. Sukite pagal laikrodžio rodyklę, kad padidintumėte norimą temperatūrą, arba prieš laikrodžio rodyklę, kad sumažintumėte norimą temperatūrą. Paspauskite rankenėlę tris sekundes, kad pereitumėte tarp °F ir °C.

C: Sukimosi variklio mygtukas valdo sukimosi stovo atidarymą ir uždarymą.

D: Pagrindinis maitinimo mygtukas valdo picų krosnies įjungimą ir išjungimą.

E: Picų krosnies durelės naudojamos tiek krosnies įkaitinimui, tiek picų kepimui.



ĮSPĖJIMAS
AUKŠTA TEMPERATŪRA

ATSARGIAI!

NEDĖKITE RANKŲ ANT KŪNO, VIRŠAUS
PLOKŠTĖS ARBA KAITINIMO ELEMENTO
NAUDOJIMO METU. PASIEKIAMOS
DALYS GALI BŪTI LABAI KARŠTOS.

PASIRUOŠIMAS NAUDOJIMUI

Atidžiai sekite šias instrukcijas, kad išvengtumėte rimtos jūsų picų krosnies žalos ir sužalojimų sau bei turtui.

1. Surinkite picų krosnį ir picų krosnies dureles, atidžiai sekdami surinkimo instrukcijas.
2. Prijunkite picų krosnį prie elektros lizdo, kuris yra išjungtas, paspauskite pagrindinį maitinimo mygtuką (D), kad įjungtumėte picų krosnį, paspauskite valdymo rankenėlę, kad ekranas pradėtų veikti, ekrane bus rodomas krosnies kameros temperatūra. Paspauskite mygtuką (C), kad įjungtumėte sukimosi funkciją.
3. Nepamirškite ištraukti maitinimo kištuko po naudojimo.

VALDYMO MYGTUKŲ FUNKCIJOS

- Paspauskite rankenėlę, kad įjungtumėte maitinimą ir ekrane būtų rodomas temperatūros rodmuo.
- Sukite pagal laikrodžio rodyklę, kad padidintumėte norimą temperatūrą, arba prieš laikrodžio rodyklę, kad sumažintumėte norimą temperatūrą.
- Paspauskite rankenėlę tris sekundes, kad pereitumėte tarp °F ir °C.
- Temperatūros nustatymas: Kai pasuksite valdymo rankenėlę, kad nustatytumėte norimą temperatūrą, atleiskite ją, ir ekranas mirksės 3 kartus, kad patvirtintų nustatytą temperatūrą. Picų krosnis pradės šildytis, kol pasieks nustatytą temperatūrą. Ekranas rodys progresą nuo dabartinės temperatūros iki nustatytos temperatūros. Atkreipkite dėmesį, kad ekrane rodoma nustatyta temperatūra. Kai tik maistas bus dedamas ant kepimo paviršiaus, kepimo temperatūra dėl šalto maisto sumažės. Ekranas vis tiek rodys nustatytą temperatūrą ir krosnis šils, kol pasieks nustatytą temperatūrą.
- Paspauskite rankenėlę, kad išjungtumėte įrenginį.
- Po naudojimo ištraukite maitinimo kištuką iš lizdo.

APLINKOS SĄLYGOS

- Naudojant krosnį šaltame klimate arba didesnėje aukštumoje, jūsų kepimo laikas pailgės.
- Nuolatinis vėjas sumažins picų krosnies vidinę temperatūrą.
- Kepimo paviršiai lengvai keičiami.

3. Laikymas

- Visada leiskite picų krosniai atvėsti prieš laikydami ją.
- Visada ištraukite kištuką, o ne traukite laidą.
- Uždenkite picų krosnį tik tada, kai ji atvėsta.
- Visada laikykite uždengtą picų krosnį šiltoje ir sausoje vietoje.

4. Valymas ir priežiūra

ĮSPĖJIMAS: Visi valymo ir priežiūros darbai turi būti atliekami tik tada, kai picų krosnis yra atvėsusi ir maitinimo kištukas ištrauktas iš lizdo. "Iškaitinimas" po kiekvieno naudojimo (apie 15 minučių) padės sumažinti perteklines maisto likučius. Rekomenduojama valyti ir prižiūrėti picų krosnį bent kartą per mėnesį, kad prailgintumėte jos tarnavimo laiką ir sumažintumėte galimų problemų tikimybę.

5. Valymas

- Leiskite picų krosniai atvėsti prieš ją valydami.
- Nenaudokite aukšto slėgio garo įrangos ar vandens srovės, kad išvalytumėte picų krosnį.

IŠORINIS PAVIRŠIUS

- Naudokite švelnų ploviklį arba kepimo sodą ir karšto vandens tirpalą. Užsispyrusiems dėmėms galima naudoti neabrazyvinį valymo miltelį, tada nuplaukite vandeniu.

PLASTIKINIAI PAVIRŠIAI

- Plaukite su minkštu audiniu ir karšto muiluoto vandens tirpalu. Nuplaukite vandeniu. Nenaudokite abrazyvinių valymo priemonių, riebalų šalinimo priemonių ar koncentruoto kepsninės valiklio plastikiniams komponentams.

PIZZA AKMENS

- Naudokite COZZE vielinį šepetėlį, kad nuvalytumėte likučius po "iškaitinimo". Jei reikia, šaltą akmenį galima nuplauti vandeniu. Įsitikinkite, kad akmuo visiškai išdžiūvo prieš kitą naudojimą.

6. Įrenginio gražinimas remontui, aptarnavimui ir garantijai

- Nekoreguokite picų krosnies. Tai gali padaryti picų krosnį nesaugią. Bet kokie pakeitimai panaikins garantiją.
- Jei negalite ištaisyti jokios klaidos sekdami šias instrukcijas, susisiekite su savo vietiniu tiekėju dėl patarimo, patikros arba remonto nurodymų.
- Prašome saugoti visus apmokėjimo įrodymus ir montavimo sertifikatą garantijos tikslais. Jei šie dokumentai negali būti pateikti, visos garantijos bus laikomos negaliojančiomis.

7. Iškeiskite tobulą picą su savo Cozze picų krosnimi

Įkaitinkite savo Cozze picų krosnį iki maždaug 400°C. Aukšta temperatūra yra paslaptis, norint iškepti tobulą picą!

Kaip naudoti savo picų krosnį:

1. Gerai įkaitinkite:

- Prijunkite krosnį ir įkaitinkite ją mažiausiai 20 minučių, kad akmuo pasiektų 400°C (naudokite Cozze infraraudonųjų spindulių termometrą tikslumui).

2. Iškeiskite picą:

- Padėkite picą ant karšto, sukiojančio akmens naudodami pica peilį.
- Pakeiskite temperatūrą į žemą, kad išlaikytumėte traškią pluta be uždegimo.

3. Tarp picų:

- Norėdami kepti papildomas picas, pakelkite temperatūrą iki maksimalaus lygio 5 minutes, kad vėl įkaitintumėte akmenį, tada pakartokite procesą.

4. Patiekite ir mėgaukitės:

- Pašalinkite picą, leiskite jai šiek tiek atvėsti, supjaustykite ir mėgaukitės..

Su Cozze kiekviena picų vakarienė tampa šedevru. Skanaus!

8. Bendra Cozze garantija

Cozze teikia 2 metų garantiją visiems produktams.

Aukščiau pateikta garantija taikoma šiems įsipareigojimams:

- Cozze produktas naudojamas pagal vartotojo vadove pateiktas instrukcijas.
- Cozze produktas nėra modifikuotas.
- Cozze produktas teisingai surinktas pagal taisykles.
- Cozze produktas prižiūrimas ir reguliariai valomas pagal vartotojo vadovą.
- Cozze produktas laikomas uždengtas, kai nenaudojamas.
- Cozze žiemos saugojimas: visi mediniai komponentai, picų akmenys ir Cozze priedai turi būti laikomi patalpose žiemą.
- Cozze produktas, kai taikoma, prijungtas prie tinkamo tipo dujų arba elektros.
- Cozze produktas pastatytas ant lygaus ir saugaus paviršiaus.
- Cozze produktas nėra įrengtas su neoriginaliais Cozze komponentais.
- Cozze produktas neturėtų būti laikomas kaip tvirtas komponentas arti jūros, chloruotuose baseinuose ar karštose voniose.
- Cozze produktas naudojamas tik privačiam naudojimui.

Garantija neapima

Cozze produktų, kurie yra sugedę, pažeisti arba kitaip pablogėję dėl:

- Įprastas nusidėvėjimas dėl normalaus naudojimo.
- Vandalizmas.
- Neįprasti orai, tokie kaip kruša, audros, tornadai, cunamiai, žemės drebėjimai arba stiprūs vėjai.
- Kitos aplinkos sąlygos, tokios kaip rūgštus lietus, chloras / druska ore ir kitos aplinkos sąlygos.

ELEKTRICKÁ PIZZA PEC

SK - Používateľský manuál

Prečítajte si a dodržiavajte tieto pokyny, aby ste zaistili bezpečnosť a predišli poškodeniu majetku.

UPOZORNENIE: Označuje nebezpečnú situáciu, ktorá, ak sa jej nevyhnete, môže viesť k ľahkému alebo stredne ťažkému zraneniu.

VAROVANIE: Označuje nebezpečnú situáciu, ktorá, ak sa jej nevyhnete, môže viesť k smrti alebo vážnemu zraneniu.

NEBEZPEČENSTVO: Označuje nebezpečnú situáciu, ktorá, ak sa jej nevyhnete, spôsobí smrť alebo vážne zranenie.

VAROVANIE!

Pozorne si prečítajte tento návod a uistite sa, že vaša pizza pec je správne nainštalovaná, zmontovaná, udržiavaná a servisovaná v súlade s týmito pokynmi. Nedodržanie týchto pokynov môže viesť k vážnym zraneniam a/alebo poškodeniu majetku.

Ak máte akékoľvek otázky týkajúce sa montáže alebo prevádzky tejto pizza pece, obráťte sa na svojho predajcu.

Poznámky pre používateľa:

TÁTO PIZZA PEC JE URČENÁ LEN NA DOMÁCE POUŽITIE. PRED POUŽITÍM SPOTREBIČA SI PREČÍTAJTE POKYNY.

VAROVANIE: DOSTUPNÉ ČASTI MÔŽU BYŤ VEĽMI HORÚCE, DRŽTE MALÉ DETI MIMO DOSAHU.

NEPOSÚVAJTE SPOTREBIČ POČAS VARENIA.

USCHOVAJTE SI TENTO NÁVOD NA BUDÚCE POUŽITIE. KRESBY SÚ LEN ILLUSTRACNÉ.

ELEKTRICKÁ PIZZA PEC			
90446 (13 INCH)		90448 (17 INCH)	
220-240 V~ 50-60 Hz	2200 W	220-240 V~ 50-60 Hz	2200 W
IPX4	Net weight: 21.8 kg	IPX4	Net weight: 26.4 kg
Millarco International A/S Rokhøj 26, 8520 Lystrup, Denmark www.millarco.com www.cozzebbq.com millarco@millarco.com			



Nechodte s elektrickými spotrebičmi do neregulovaného komunálneho odpadu, použite samostatné zberné zariadenia. Kontaktujte miestnu samosprávu pre informácie o dostupných zberových systémoch. Ak sú elektrické spotrebiče vyhodené na skládky alebo do odpadkov, nebezpečné látky môžu unikať do podzemnej vody a dostať sa do potravinového reťazca, čím poškodzujú vaše zdravie a pohodu.

1.1 Prevádzka

NEBEZPEČENSTVO

- Používajte pizza pec v dobre vetranej miestnosti.
- Nepoužívajte v pizza peci uhlie, brikety, tekuté palivo ani lávové kamene.

VAROVANIE

- Používajte pizza pec iba tak, ako je popísané v tomto návode na použitie. Nesprávne používanie môže spôsobiť požiar, elektrický šok alebo zranenie.
- Táto pizza pec by mala byť pripojená iba k uzemnenej zásuvke.
- Táto pizza pec by mala byť napájaná cez zariadenie s reziduálnym prúdom (RCD) s hodnoteným reziduálnym prúdom nepresahujúcim 30 mA.
- Nezapojujte pizza pec, ak je elektrická zásuvka poškodená.
- Ak je napájací kábel poškodený, musí ho vymeniť výrobca, jeho servisný zástupca alebo podobne kvalifikovaná osoba, aby sa predišlo nebezpečenstvu.
- Vždy odpojte pec vyťahovaním zástrčky. Nepoťahujte za kábel.
- Nepoužívajte pizza pec v okruhu 3 m od akejkoľvek vody, ako je bazén alebo jazero.
- Nepoužívajte pizza pec v okruhu 60 cm od horľavých materiálov. Minimálne bezpečné vzdialenosti sú: nad pizza pecou 1,2 m, vzadu a po stranách 60 cm (pozrite si ilustráciu).
- Udržiavajte varnú plochu mimo horľavých pár a tekutín, ako je benzín, alkohol a podobne, a horľavé/materiály.
- Ak dôjde k požiaru tukov, zatvorte víko, vypnite napájanie, odpojte pizza pec zo zásuvky a nechajte víko zatvorené, kým sa požiar nezhasne. Nepoužívajte tekutinu na uhasenie plameňov.
- Dostupné časti môžu byť veľmi horúce. Držte malé deti a domáce zvieratá mimo dosahu.
- VAROVANIE: Pizza pec a jej dostupné časti sa počas používania zahrejú. Buďte opatrní, aby ste sa nedotkli vykurovacích prvkov.
- Túto pizza pec môžu používať deti od 8 rokov a osoby s obmedzenými fyzickými, senzorickými alebo mentálnymi schopnosťami alebo bez skúseností a znalostí, ak dostali dohľad alebo inštrukcie o bezpečnom používaní pizza pece a rozumejú rizikám. Deti by sa nemali hrať s pizza pecou. Čistenie a údržbu spotrebiča nesmú vykonávať deti bez dohľadu.
- Deti mladšie ako 8 rokov by mali byť držané mimo dosahu, pokiaľ nie sú neustále dohliadané.
- Používanie alkoholu, liekov na predpis, liekov bez predpisu alebo nelegálnych drog môže ovplyvniť schopnosť spotrebiteľa správne a bezpečne zostaviť, presúvať, skladovať alebo používať pizza pec.
- Pokyny týkajúce sa osôb (vrátane detí) s obmedzenými fyzickými, senzorickými alebo mentálnymi schopnosťami alebo bez skúseností a znalostí nie sú aplikovateľné.
- Nenechávajte pizza pec bez dozoru počas predhrievania alebo používania. Buďte opatrní pri používaní tejto pizza pece.
- Neposúvajte pizza pec počas používania.
- Udržiavajte akýkoľvek napájací kábel mimo vyhrievaných povrchov. Dodržiavajte pokyny na správu káblov.
- Umiestnite napájací kábel mimo oblastí s vysokou premávkou. Usporiadajte kábel tak, aby ho nikto neťahal alebo nezakopol.

- Nepoužívajte pizza pec, ak je spadnutá alebo nefunguje správne.
- Nezapaľujte alebo nepoužívajte podobné horľavé palivá v tejto pizza peci.
- Pizza pec by mala byť pripojená k zásuvke so zemnicím kontaktom.
- Napájací kábel by mal byť pravidelne kontrolovaný na známky poškodenia a pizza pec by nemala byť používaná, ak je kábel poškodený.
- Na ochranu pred elektrickým šokom nezahrabávajte kábel, zástrčky, sondy alebo pizza pec do vody alebo iných tekutín.
- Na zabránenie elektrickému šoku nepostriekajte tekutinu do vnútra pizza pece.
- Pizza pec používajte iba na rovnej, tepelne odolnej ploche.
- Pri používaní pizza pece používajte rukavice odolné voči teplu.

UPOSORNENIE

- Pri pripojení tejto pizza pece k napájaniu sa uistite, že napájacie napätie zodpovedá hodnoteniu napätia uvedenému na štítku pizza pece.
- Neprekračujte výkon elektrickej zásuvky.
- Nepoužívajte pizza pec v žiadnom vozidle alebo v skladovacom alebo nákladovom priestore akéhokoľvek vozidla. Toto zahŕňa, ale nie je obmedzené na, autá, nákladné vozidlá, kombíky, minivany, športové úžitkové vozidlá, mobilné domy, karavany a lode.
- Počas inštalácie: neumiestňujte ju na povrchy alebo blízko stien, priečok alebo kuchynského nábytku a podobne – pokiaľ nie sú vyrobené z nehorľavého materiálu alebo potiahnuté nehorľavým tepelnoizolačným materiálom a dbajte na predpisy o prevencii požiaru.
- Nepoužívajte pizza pec s dverami pizza pece viac ako 2 hodiny, aby ste predišli prehriatiu pece.
- **NEPOUŽÍVAJTE** kameň nad otvoreným ohňom.
- Vyhnite sa extrémnym teplotným zmenám na kameni. **NEPOKLADAJTE** zmrazené jedlá na horúci kameň.
- Kameň je krehký a môže sa zlomiť, ak sa s ním nehľadí alebo ak spadne.
- Kameň je veľmi horúci počas používania a zostáva horúci dlhú dobu po použití.
- **NEPOUŽÍVAJTE** vodu na ochladenie kameňa, keď je kameň horúci.
- Po vyčistení kameňa vodou ho nechajte vyschnúť pred použitím. To sa dá vykonať v bežnej rúre pri 60 °C (140°F) po dobu 2 hodín.
- Uložte pizza kameň na suchom a teplom mieste.
- Pizza kameň je považovaný za opotrebovateľnú časť a nie je pokrytý zárukou.
- Nechajte pizza pec vychladnúť pred presunutím, čistením alebo skladovaním.
- Dvere pizza pece sa nesmú používať v blízkosti horľavých materiálov počas varenia. (Produkty na báze ropy, riedidlá alebo akýkoľvek iný pevný predmet, ktorý nesie varovný štítok o horľavosti.)
- Zakryte pizza pecu iba vtedy, keď je vychladená.

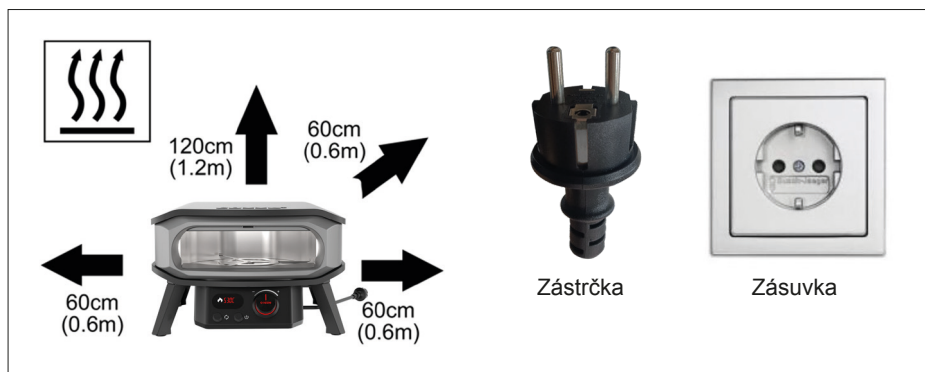
1.2 Inštalácia a montáž

VAROVANIE

- Tento model pizza pece je určený iba na voľné postavenie na rovnej ploche.
- Pozorne si prečítajte nasledujúce pokyny a uistite sa, že vaša pizza pec je správne nainštalovaná, zmontovaná a udržiavaná. Nedodržanie týchto pokynov môže viesť k vážnym zraneniam a/alebo poškodeniu majetku.

UPOSORNENIE

- Aby sa minimalizovalo riziko poškodenia majetku a/alebo zranenia, nepoužívajte predlžovací napájací kábel, pokiaľ nezodpovedá špecifikáciám uvedeným v tomto návode na použitie.
- Ak je nevyhnutné použiť predlžovací kábel, musí byť pripojený k uzemnenej zásuvke. Použite iba kábel s priemerom 14 AWG a uzemnenú zástrčku, vhodnú na použitie s pizza pecou. Maximálna dĺžka predlžovacieho kábla je 4 metre. Udržujte predlžovací kábel čo najkratší. Pred použitím skontrolujte predlžovací kábel a v prípade poškodenia ho vymeňte.
- Uistite sa, že kábel nepredstavuje nebezpečenstvo zakopnutia.
- Udržujte pripojenia suché.
- Dvere pizza pece sú pohyblivé dvere pre vašu pizza pecu. Používanie týchto dverí počas vykurovania môže skrátiť čas ohrevu o 20-30%.
- Dvere pizza pece musia byť počas používania držané mimo horľavých materiálov.
- Dvere pizza pece sa nesmú pokladať na horľavý povrch, pokiaľ nie sú chladné.
- Nepokladajte dvere pizza pece na vrch pizza pece počas varenia.
- NEZANECHÁVAJTE žiadne nebezpečné predmety, ako sú zapaľovače alebo zapaľovacie kvapaliny, vedľa dverí pizza pece. Dvere pizza pece totiž po použití vyžarujú teplo do všetkých smerov.
- Pri používaní tejto pizza pece sa riadte všetkými miestnymi zákonmi a predpismi.
- Ak máte akékoľvek otázky týkajúce sa montáže alebo prevádzky, obráťte sa na svojho predajcu.
- Odporúča sa používať ochranné rukavice pri manipulácii s obzvlášť horúcimi komponentmi.
- Časti, ktoré sú uzavreté výrobcom alebo jeho zástupcom, by nemal používateľ manipulovať.
- POZNÁMKA PRE SPOTREBITEĽA: Uchovajte si tento návod na budúce použitie.



2. Vlastnosti výrobku



A: LED displej slúži ako digitálny teplomer, ktorý zobrazuje teplotu vnútra pece, kým sa nedosiahne nastavená teplota. To zabezpečuje presné a presné meranie teploty vašej pizza pece.

B: Ovládací gombík je jednoduchý na používanie. Stlačte ho na zapnutie alebo vypnutie jednotky. Otáčajte hodinovo na zvýšenie požadovanej teploty alebo proti smeru hodinových ručičiek na zníženie požadovanej teploty. Stlačte gombík na tri sekundy, aby ste prepli medzi °F a °C.

C: Tlačidlo otáčajúceho motora ovláda otváranie a zatváranie otáčacieho roštu.

D: Hlavné tlačidlo napájania ovláda zapnutie a vypnutie pizza pece.

E: Dvere pizza pece sa používajú počas predhrievania pece aj počas pečenia pizze.



VAROVANIE
VYSOKÁ TEPLOTA

UPOSORNENIE!

NEKONTAKTUJTE TELSO, HORNÝ
PANEL ANI TEPLÝ KÁBEL POČAS
POUŽÍVANIA. DOSTUPNÉ ČASTI MOŽU
BYŤ VEĽMI HORÚCE.

PRÍPRAVA NA POUŽITIE

Pozorne si prečítajte tieto pokyny, aby ste predišli vážnemu poškodeniu vašej pizza pece a zraneniam seba a majetku.

1. Zmontujte pizza pec a dvere pizza pece podľa pokynov na montáž.
2. Pripojte pizza pec k zásuvke, ktorá je vypnutá, stlačte hlavné tlačidlo napájania (D) na zapnutie pizza pece, stlačte ovládací gombík, aby sa displej začal zobrazíť a ukázal teplotu vnútra pece. Stlačte tlačidlo (C) na spustenie funkcie otáčania.
3. Nezabudnite vytiahnuť napájací kábel po použití.

FUNKCIE OVLÁDACÍCH TLAČIDIEL

- Stlačte gombík na vstup do stavu zapnutia a zobrazenie teploty.
- Otáčajte hodinovo na zvýšenie požadovanej teploty alebo proti smeru hodinových ručičiek na zníženie požadovanej teploty.
- Stlačte gombík na tri sekundy, aby ste prepli medzi °F a °C.
- Nastavenie teploty: Akonáhle otočíte ovládací gombík na nastavenie požadovanej teploty, uvoľníte ovládací gombík a displej bude trikrát blikať, aby potvrdil nastavenú teplotu. Pizza pec začne ohrievať, kým nedosiahne nastavenú teplotu. Displej bude zobrazovať postup od aktuálnej teploty až po nastavenú teplotu. Upozorňujeme, že teplota zobrazená na displeji je nastavená teplota, ktorú ste vybrali. Keď umiestnite jedlo na varnú plochu, teplota varnej plochy klesne, pretože jedlo je studené. Displej však bude naďalej zobrazovať nastavenú teplotu, ktorú ste si nastavili, a bude sa ohrievať, kým nedosiahne nastavenú teplotu.
- Stlačte gombík na vypnutie.
- Vytiahnite napájací kábel zo zásuvky, keď nepoužívate pec.

AMBIENTNÉ PODMIENKY

- Používanie pece v chladnejšom podnebí alebo vo vyšších nadmorských výškach predĺži čas varenia.
- Dlhodobý vietor zníži vnútornú teplotu pizza pece.
- Varné plochy sú ľahko vymeniteľné.

3. Skladovanie

- Vždy nechajte pizza pec vychladnúť pred skladovaním.
- Vždy vytiahnite napájací kábel zo zásuvky. Nepoťahujte za kábel.
- Zakryte pizza pecu iba vtedy, keď je vychladená.
- Vždy uložte zakrytú pizza pecu na teplé a suché miesto.

4. Čistenie a údržba

UPOZORNENIE: Všetko čistenie a údržba by mali byť vykonávané, keď je pizza pec vychladnutá a napájací kábel je odpojený od zásuvky. "Spálenie" pizza pece po každom použití (na približne 15 minút) minimalizuje nadbytočné zvyšky jedla. Odporúča sa čistiť a udržiavať pizza pecu aspoň raz za mesiac, aby sa predĺžila jej životnosť a znížila možnosť problémov.

5. Čistenie

- Nechajte pizza pec vychladnúť predtým, ako ju vyčistíte.
- Nepoužívajte žiadne vysokotlakové parné zariadenia alebo vodné trysky na čistenie pizza pece.

VONKAJŠÍ POVRCH

- Použite jemný čistiaci prostriedok alebo roztok jedlej sódy a horúcej vody. Na odolné škvrny možno použiť neabrazívny čistiaci prášok, potom opláchnite vodou.

PLASTOVÉ POVRCHY

- Umyte mäkkou handričkou a roztokom horúcej mydlinovej vody. Opláchnite vodou. Nepoužívajte abrazívne čistiace prostriedky, odmasťovače ani koncentrované čistiace prostriedky na grily na plastové časti.

PIZZA KAMEŇ

- Použite COZZE drôtenú kefu na odstránenie zvyškov po "spálení". Ak je to potrebné, studený kameň môžete opláchnuť vodou. Uistite sa, že kameň je úplne suchý pred ďalším použitím.

6. Vrátanie zariadenia na opravu, servis a záruku

- Nezmeňujte pizza pecu. Môže to spôsobiť, že sa pizza pec stane nebezpečnou. Akékoľvek úpravy spôsobia, že záruka bude neplatná.
- Ak nemôžete opraviť žiadnu poruchu podľa týchto pokynov, kontaktujte svojho miestneho distribútora pre radu, inšpekciu alebo pokyny na opravu.
- Uchovávajte všetky doklady o platbách a inštalačný certifikát pre účely záruky. Ak tieto doklady nemôžete poskytnúť, všetky záruky budú považované za neplatné.

7. Pečte dokonalú pizzu so svojou pizza pecou Cozze

Predhrejte svoju pizza pec Cozze na približne 400°C. Vysoká teplota je tajomstvom dokonalej pizze!

Ako používať svoju pizza pecu:

1. Dôkladne predhrejte:

- Pripojte pec a predhrejte ju aspoň 20 minút, aby sa kameň zahrial na 400°C (použite Cozze infračervený teplomer pre presnosť)

2. Pečenie pizze:

- Umiestnite pizzu na horúci, otáčajúci sa kameň pomocou lopaty.
- Nastavte teplotu na nízku počas pečenia, aby ste udržali kôrku chrumkavú, ale bez spálenia.

3. Medzi pizzami:

- Pre ďalšie pizze nastavte teplotu na maximum na 5 minút, aby sa kameň znovu zahrial, a potom proces zopakujte.

4. Podávajte a vychutnajte:

- Vyberte pizzu, nechajte ju mierne vychladnúť, nakrájajte a pochutnajte si.

So Cozze je každá večera s pizzou majstrovským dielom.

Dobrá chuť!

8. Všeobecná záruka Cozze

Cozze poskytuje 2-ročnú záruku na všetky produkty.

Vyššie uvedená záruka podlieha nasledujúcim podmienkam:

- Produkt Cozze je používaný podľa pokynov v užívateľskom manuáli.
- Produkt Cozze nie je upravený.
- Produkt Cozze je správne zostavený v súlade s predpismi.
- Produkt Cozze je udržiavaný a pravidelne čistený podľa užívateľského manuálu.
- Produkt Cozze je skladovaný zakrytý, keď sa nepoužíva.
- Zimné skladovanie Cozze: Všetky drevené časti, pizza kamene a príslušenstvo k Cozze musia byť počas zimy skladované v interiéri.
- Produkt Cozze je, ak je to relevantné, pripojený k správne typu plynu alebo elektriny.
- Produkt Cozze je umiestnený na rovnej a bezpečnej ploche.
- Produkt Cozze nie je vybavený neoriginálnymi časťami Cozze.
- Produkt Cozze by nemal byť skladovaný ako pevná súčasť v blízkosti mora, chlorovaných bazénov alebo víriviek.
- Produkt Cozze sa používa len na súkromné účely.

Záruka sa nevzťahuje na produkty Cozze, ktoré sú chybné, poškodené alebo inak znehodnotenú v dôsledku:

- Očakávané opotrebenie pri bežnom používaní
- Vandalizmus
- Nezvyčajné počasie, ako je krúpy, búrlivé počasie, tornáda, tsunami, zemetrasenia alebo silné búrky
- Iné prostredia, ako kyslý dážď, chlór/súl v ovzduší a iné environmentálne podmienky.

ELEKTRIČNA PEČICA ZA PICO

SLO - Uporabniški priročnik

Preberite in sledite tem izjavam, da zagotovite varnost in preprečite škodo na premoženju. OPOZORILO: Pomeni nevarno situacijo, ki bi lahko, če ji ne bi preprečili, povzročila manjše ali zmerne poškodbe.

POZOR: Pomeni nevarno situacijo, ki bi lahko, če ji ne bi preprečili, povzročila smrt ali resne poškodbe.

NEVARNO: Pomeni nevarno situacijo, ki bo, če ji ne bomo preprečili, povzročila smrt ali resne poškodbe

POZORI!

Preberite ta navodila pozorno in zagotovite, da je vaša pečica za pico pravilno nameščena, sestavljena, vzdrževana in servisirana v skladu s temi navodili. Neupoštevanje teh navodil lahko povzroči resne telesne poškodbe in/ali škodo na premoženju.

Če imate kakršnakoli vprašanja glede sestavljanja ali delovanja te pečice za pico, se obrnite na svojega trgovca.

Opombe za uporabnika:

TA PEČICA ZA PICO JE NAMENJENA LE ZA DOMAČO UPORABO. PRED UPORABO PREBERITE NAVODILA.

POZOR: DOSTOPNE DELI SO LAHKO Zelo VROČI, DRŽITE MLADOSTNIKE DALJE OD NJE.

NE PREMİKATE NAPRAVE MED KUHANJEM. OHRANITE NAVODILA ZA POZNEJŠO REFERENCO. RISBE SO SAMO ZA REFERENCO.

ELEKTRIČNA PEČICA ZA PICO			
90446 (13 INCH)		90448 (17 INCH)	
220-240 V~ 50-60 Hz	2200 W	220-240 V~ 50-60 Hz	2200 W
IPX4	Net weight: 21.8 kg	IPX4	Net weight: 26.4 kg
Millarco International A/S Rokhøj 26, 8520 Lystrup, Denmark www.millarco.com www.cozzebbq.com millarco@millarco.com			



Ne odvrzite električne naprave kot nesortiran komunalni odpad, uporabite ločene zbirne naprave. Obrnite se na lokalne oblasti za informacije o razpoložljivih sistemih za zbiranje. Če se električne naprave odvržejo na smetišča ali odlagališča, lahko nevarne snovi pronicijo v podtalnico in se prenesejo v prehransko verigo, kar škoduje vašemu zdravju in dobremu počutju.

1.1 Delovanje

NEVARNO

- Uporabljajte pečico za pico v dobro prezračevanem prostoru.
- Ne uporabljajte oglja, briketov, tekočega goriva ali lave v pečici za pico.

POZOR

- Pečica za pico naj bo povezana le z ozemljeno vtičnico.
- Pečica za pico naj bo napajana preko naprave za zaščito pred preostalim tokom (RCD) z nazivnim preostalim delovnim tokom, ki ne presega 30 mA.
- Ne uporabljajte pečice za pico, če je električna vtičnica poškodovana.
- Če je napajalni kabel poškodovan, ga mora zamenjati proizvajalec, njegov servisni agent ali podobno usposobljeni strokovnjaki, da preprečite nevarnost.
- Vedno izvlecite vtičač, ko ga želite izklopiti. Ne vlecite za kabel.
- Ne uporabljajte pečice za pico v razdalji 3 m od katere koli vrste vode, kot so bazeni ali ribnik.
- Ne uporabljajte pečice za pico v razdalji 60 cm od vnetljivih materialov. Minimalne varne razdalje so: Nad pečico za pico 1,2 m. Zadaj in ob straneh 60 cm (glejte sliko).
- Ohranite območje za kuhanje brez vnetljivih hlapov in tekočin, kot so bencin, alkohol itd., ter vnetljivih/materialov.
- Če pride do požara zaradi maščobe, zaprite pokrov, izklopite stikalo za napajanje, izklopite pečico za pico iz vtičnice in pustite pokrov zaprt, dokler se ogenj ne pogasi. Ne uporabljajte tekočin za gašenje plamenov.
- Dostopni deli so lahko zelo vroči. Držite otroke in živali stran.
- POZOR: Pečica za pico in njeni dostopni deli postanejo vroči med uporabo. Bodite previdni, da ne boste segli po grelnih elementih.
- Pečico za pico lahko uporabljajo otroci, stari od 8 let naprej, ter osebe z zmanjšanimi telesnimi, čutnimi ali duševnimi sposobnostmi ali pomanjkanjem izkušenj in znanja, če so pod nadzorom ali so bile poučene o varni uporabi pečice za pico in razumejo z njeno uporabo povezane nevarnosti. Otroci se ne smejo igrati s pečico za pico. Čiščenje in vzdrževanje uporabnika ne smeta opravljati otroci brez nadzora.
- Otroci, mlajši od 8 let, naj bodo oddaljeni, razen če jih natančno spremljate.
- Uporaba alkohola, predpisanih zdravil, zdravil brez recepta ali nezakonitih drog lahko oslabi sposobnost uporabnika, da pravilno in varno sestavi, premika, shranjuje ali uporablja pečico za pico.
- Navodila, ki se nanašajo na osebe (vključno z otroki) z zmanjšanimi telesnimi, čutnimi ali duševnimi sposobnostmi ali pomanjkanjem izkušenj in znanja, niso primerna.
- Ne puščajte pečice za pico brez nadzora med predgrevanjem ali uporabo. Bodite previdni pri uporabi te pečice za pico.
- Ne premikajte pečice za pico med uporabo.
- Ohranite električni napajalni kabel stran od segretyh površin. Sledite navodilom za obvladovanje kabla.
- Napajalni kabel postavite stran od prometnih območij. Kabel nastavite tako, da ga ne bo mogoče povleči ali spotakniti.
- Ne uporabljajte pečice za pico, če je padla ali okvarjena.
- Oglje ali podobna vnetljiva goriva ne smete uporabljati s to pečico za pico.
- Pečica za pico mora biti povezana z vtičnico, ki ima ozemljitveni kontakt.

- Napajalni kabel je treba redno pregledati zaradi morebitnih poškodb, pečice za pico pa ne smete uporabljati, če je kabel poškodovan.
- Za zaščito pred električnim udarom ne potaplajte kabla, vtikačev, sond ali pečice za pico v vodo ali druge tekočine.
- Za preprečitev električnega udara ne škropite tekočine znotraj pečice za pico.
- Pečico za pico uporabljajte le na ravni, toplotno odporni površini.
- Uporabljajte toplotno odporne rokavice pri uporabi pečice za pico.

OPOZORILO

- Pri priključitvi te pečice za pico na napajanje preverite, ali napetost napajanja ustreza napetostnemu razredu, označenemu na nalepki pečice za pico.
- Ne prekoračite moči električne vtičnice.
- Ne uporabljajte pečice za pico v nobenem vozilu ali v skladiščnem ali tovorniškem prostoru vozila. To vključuje, vendar ni omejeno na avtomobile, tovornjake, karavane, minivane, športne terence, mobilne domove, avtodome in čolne.
- Med namestitvijo: ne postavljajte na površine ali blizu sten, pregrad, kuhinjskega pohištva in podobno – razen če niso narejene iz negorljivih materialov ali obložene z negorljivim toplotno izolacijskim materialom, in upoštevajte predpise o požarni zaščiti.
- Ne uporabljajte pečice za pico z vratom pečice več kot 2 uri, da preprečite pregrevanje pečice.
- NE uporabljajte kamna nad odprtim ognjem.
- Izogibajte se ekstremnim temperaturnim spremembam na kamnu. NE postavljajte zamrznjenih živil na vroč kamen.
- Kamen je krhka in se lahko zlahka zlomi, če ga udarite ali spustite.
- Kamen je med uporabo zelo vroč in ostane vroč dolgo po uporabi.
- NE hladite kamna z vodo, ko je kamen vroč.
- Po čiščenju kamna z vodo ga pred uporabo posušite. To lahko storite v običajni pečici pri 60 °C (140 °F) 2 uri.
- Shranjujte kamen za pico na suhem in toplem mestu.
- Kamen za pico se šteje za obrabni del in ni zajet v garanciji.
- Dovolite, da se pečica za pico ohladi, preden jo premaknete, očistite ali shranite.
- Vrata pečice za pico ne smejo biti uporabljena v bližini vnetljivih materialov med kuhanjem. (Proizvodi na bencinski osnovi, topila ali katerikoli drugi trdni predmeti, ki nosijo opozorilno nalepko o vnetljivosti.)
- Pokrijte pečico za pico le, ko je ohlajena.

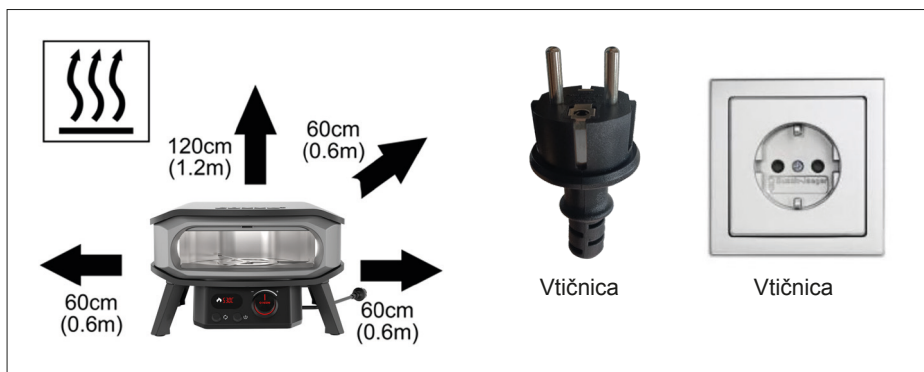
1.2 Namestitev in sestavljanje

POZOR

- Ta model pečice za pico je namenjen le za prosto postavitve na ravno površino.
- Preberite naslednja navodila pozorno in se prepričajte, da je vaša pečica za pico pravilno nameščena, sestavljena in vzdrževana. Neupoštevanje teh navodil lahko povzroči resne telesne poškodbe in/ali škodo na premoženju.

OPOZORILO

- Da bi zmanjšali tveganje za škodo na premoženju in/ali telesne poškodbe, ne uporabljajte podaljška za napajanje, razen če ustreza specifikacijam, navedenim v tem priročniku.
- Če je nujno potrebno uporabiti podaljšek, mora biti priključen na ozemljeno vtičnico. Uporabite samo kabel 14-gauge z ozemljenim vtičakem, primeren za uporabo s pečico za pico. Maksimalna dolžina podaljška je 4 metre. Podaljšek naj bo čim krajši. Pred uporabo preglejte podaljšek in ga zamenjajte, če je poškodovan.
- Poskrbite, da kabel ne bo predstavljal nevarnosti za spotikanje.
- Ohranite povezave suhe.
- Vrata pečice za pico so premična vrata za vašo pečico za pico. Uporaba teh vrat med ogrevanjem lahko skrajša čas segrevanja za 20-30 %.
- Vrata pečice za pico morajo biti med uporabo oddaljena od vnetljivih materialov.
- Vrata pečice za pico ne smete postaviti na vnetljivo površino, dokler niso hladna.
- Ne postavljajte vrat pečice za pico na vrh pečice za pico med kuhanjem.
- NE puščajte nobenih nevarnih predmetov, kot so prižigalniki ali vžigalno tekočino, poleg vrat vaše pečice za pico. Vrata pečice za pico po uporabi oddajajo toploto v vse smeri.
- Pri uporabi te pečice za pico upoštevajte vse lokalne zakone in predpise.
- Če imate kakršnakoli vprašanja glede sestavljanja ali delovanja, se obrnite na svojega trgovca.
- Priporočamo uporabo zaščitnih rokavic pri rokovanju s posebej vročimi komponentami.
- Delov, ki so zatesnjeni s strani proizvajalca ali njegovega agenta, uporabnik ne sme manipulirati.
- OPOMBA ZA POTROŠNIKA: Shranite ta priročnik za kasnejšo uporabo.



2. Značilnosti izdelka



A: LED zaslon služi kot digitalni termometer, ki prikazuje temperaturo pečice, dokler ni dosežena nastavljena temperatura. To zagotavlja natančen in točen prikaz temperature vaše pečice za pico.

B: Nadzorni gumb je enostaven za uporabo. Pritisnite, da vključite ali izključite napravo. Obrnite v smeri urinega kazalca, da povečate želeno temperaturo, ali obrnite v nasprotni smeri urinega kazalca, da zmanjšate želeno temperaturo. Pritisnite gumb za tri sekunde, da preklopite med °F in °C.

C: Gumb za vrteči motor nadzira odpiranje in zapiranje vrteče se police.

D: Glavni gumb za vklop/izklop nadzira vklop in izklop pečice za pico.

E: Vrata pečice za pico se uporabljajo tako pri predgrevanju pečice kot tudi pri peki pice.



POZOR
VISOKA TEMPERATURA

OPOZORILO!

NE DOTIKAJTE SE TELESA, ZGORNJE
PLOŠČE ALI TOPLOTNE COIL MED
UPORABO. DOSTOPNI DELI SO LAHKO
Zelo VROČI.

PRIPRAVA ZA UPORABO

Natančno sledite tem navodilom, da se izognete resni poškodbi vaše pečice za pico in preprečite poškodbe sebi ali premoženju.

1. Sestavite pečico za pico in vrata pečice za pico tako, da natančno sledite navodilom za sestavljanje.
2. Povežite pečico za pico z električno vtičnico, ki je izklopljena, pritisnite glavni gumb za vklop (D), da vklopite pečico za pico, pritisnite nadzorni gumb, da se zaslon prične delovati, zaslon bo prikazal temperaturo v notranjosti pečice. Pritisnite gumb (C), da aktivirate funkcijo vrtenja.
3. Ne pozabite izvleči napajalnega vtiča po uporabi..

FUNKCIJE NADZORNIH GUMBOV

- Pritisnite gumb, da vstopite v stanje vklopa in prikazete temperaturo.
- Obrnite v smeri urinega kazalca, da povečate želeno temperaturo, ali obrnite v nasprotni smeri urinega kazalca, da zmanjšate želeno temperaturo.
- Pritisnite gumb za tri sekunde, da preklopite med °F in °C.
- Nastavitev temperature: Ko nastavite želeno temperaturo z obračanjem nadzornega gumba, spustite gumb in zaslon bo utripal 3-krat, da potrdi nastavljeno temperaturo. Pečica za pico se bo začela segrevati, dokler ne doseže nastavljene temperature. Zaslon bo prikazoval napredek od trenutne temperature do nastavljene temperature. Opomba: Temperatura, prikazana na zaslonu, je nastavljena temperatura, ki ste jo izbrali. Ko na kuhalno površino položite hrano, se bo kuhalna temperatura vaše kuhalne površine znižala, ker je hrana hladna. Zaslon bo še vedno prikazoval nastavljeno temperaturo in se bo segreval, dokler ne doseže nastavljene temperature.
- Pritisnite gumb za izklop.
- Izvlecite napajalni vtič iz električne vtičnice, ko pečico ne uporabljate.

OKOLJSKE POGOJE

- Uporaba pečice v hladnejšem podnebjju ali na višjih višinah bo podaljšala čas kuhanja.
- Vztrajen veter bo znižal notranjo temperaturo pečice za pico.
- Kuhalne površine so enostavno zamenljive.

3. SHRANJEVANJE

- Vedno dovolite, da se pečica za pico ohladi pred shranjevanjem.
- Vedno izvlecite napajalni vtič, tako da povlečete vtič, ne kabla.
- Pokrijte pečico za pico za šele, ko se ohladi.
- Pečico za pico vedno shranjujte pokrito na toplem in suhem mestu.

4. ČIŠČENJE IN VZDRŽEVANJE

OPOZORILO: Vsa čiščenja in vzdrževanje je treba izvesti, ko je pečica za pico ohlajena in ko je napajalni vtič izključen iz električne vtičnice. "Ožiganje" pečice za pico po vsakem obroku (približno 15 minut) bo pomagalo zmanjšati ostanke hrane. Priporočljivo je, da pečico za pico čistite in vzdržujete vsaj enkrat mesečno, da podaljšate njeno življenjsko dobo in zmanjšate možnost težav.

5. ČIŠČENJE

- Dovolite, da se pečica za pico ohladi pred čiščenjem.
- Ne uporabljajte visokotlačnih parnih naprav ali vodnih curkov za čiščenje pečice za pico..

ZUNANJA POVRŠINA

- Uporabite blag detergent ali mešanico sode bikarbone in vroče vode. Za trdovratne madeže lahko uporabite neabrazivni prašek za čiščenje, nato pa sperite z vodo.

PLASTIČNE POVRŠINE

- Operite z mehko krpo in raztopino vroče milnice. Sperite z vodo. Ne uporabljajte abrazivnih čistil, razmaščevalcev ali koncentriranih čistil za žar na plastičnih delih.

PIZZA KAMEN

- Uporabite žičnato krtačo COZZE, da odstranite preostale ostanke po "ožiganju". Če je potrebno, lahko hladen kamen sperete z vodo. Prepričajte se, da je kamen popolnoma suh, preden ga ponovno uporabite.

6. VRAČANJE NAPRAVE ZA POPRAVILO, SERVIS IN JAMSTVO

- Ne spreminjajte pečice za pico. To lahko povzroči, da pečica postane nevarna. Kakršne koli spremembe bodo povzročile, da jamstvo postane nično.
- Če napake ne morete odpraviti z upoštevanjem teh navodil, se obrnite na svojega lokalnega distributerja za nasvet, pregled ali navodila za popravilo.
- Ohranite vse dokaze o plačilu in potrdilo o namestitvi za potrebe jamstva. Če teh dokumentov ne morete predložiti, bo jamstvo veljalo za nično.

7. Pecite popolno pico s svojo Cozze pečico za pico

Predgrejte svojo Cozze pečico za pico na približno 400°C. Visoka temperatura je skrivnost popolne pice!

Kako uporabiti svojo pečico za pico:

1. Temeljito predgrevanje:

- Priključite pečico in jo predgrejte vsaj 20 minut, da se kamen segreje na 400°C (za natančnost uporabite Cozze infrardeči termometer)

2. Pecite svojo pico:

- Postavite pico na vroč, vrteč se kamen z uporabo loparčka.
- Med peko zmanjšajte temperaturo, da ohranite hrustljivost skorje brez da bi se zažgala.

3. Med peko več pic::

- Za dodatne pice povečajte temperaturo na maksimum za 5 minut, da segrejete kamen, nato ponovite postopek.

4. Postrežba in uživanje:

- Odstranite pico, pustite, da se nekoliko ohladi, narežite in uživajte..

S Cozze je vsaka noč pice prava umetnina.

Dober tek!

8. Splošno jamstvo Cozze

Cozze nudi 2-letno jamstvo za vse izdelke.

To jamstvo je podvrženo naslednjim pogojem:

- Izdelek Cozze je uporabljen v skladu z navodili v uporabniškem priročniku.
- Izdelek Cozze ni bil spremenjen.
- Izdelek Cozze je pravilno sestavljen v skladu z regulativami.
- Izdelek Cozze je vzdrževan in redno čiščen v skladu z navodili v uporabniškem priročniku.
- Izdelek Cozze je shranjen pokrit z zaščitnim pokrovom, ko ni v uporabi.
- Zimsko shranjevanje Cozze: Vse lesene dele, kamne za pico in dodatke za Cozze je treba shraniti v notranjosti pozimi.
- Izdelek Cozze je, kjer je to primerno, povezan s pravilno vrsto plina ali električne energije.
- Izdelek Cozze je postavljen na raven in varen površino.
- Izdelek Cozze ni opremljen z neoriginalnimi deli Cozze.
- Izdelek Cozze ne sme biti shranjen kot trdna komponenta v bližini morja, kloriranih bazenov ali masažnih kadi.
- Izdelek Cozze je namenjen samo za zasebno uporabo.

Jamstvo ne pokriva:

Izdelkov Cozze, ki so poškodovani, uničeni ali kako drugače poslabšani zaradi:

- Pričakovane obrabe pri normalni uporabi.
- Vandalizma.
- Nenavadnega vremena, kot so toča, nevihta, tornadi, cunamiji ali močne nevihte.
- Druge okoljske razmere, kot so kisli dež, klor/salitra v zraku in druge okoljske razmere.

ELEKTRICKÁ PIZZA PEC

CZ - Uživatelská příručka

Přečtěte si a dodržujte tato prohlášení, abyste zajistili bezpečnost a předešli poškození majetku.

UPOZORNĚNÍ: Označuje nebezpečnou situaci, která by mohla při zanedbání vést k lehkému nebo středně závažnému zranění.

VAROVÁNÍ: Označuje nebezpečnou situaci, která by mohla při zanedbání vést k úmrtí nebo vážnému zranění.

NEBEZPEČÍ: Označuje nebezpečnou situaci, která při zanedbání povede k úmrtí nebo vážnému zranění.

VAROVÁNÍ!

Pečlivě si přečtěte tento návod a ujistěte se, že vaše pizza pec je správně instalována, sestavena, udržována a servisována v souladu s těmito pokyny. Nedodržení těchto pokynů může vést k vážnému zranění nebo poškození majetku.

Pokud máte jakékoli dotazy ohledně sestavení nebo provozu této pizza pece, obraťte se na svého prodejce.

Poznámky pro uživatele:

TATO PIZZA PEC JE URČENA POUZE PRO DOMÁCÍ POUŽITÍ. PŘED POUŽITÍM ZAŘÍZENÍ SI PŘEČTĚTE POKYNY.

VAROVÁNÍ: DOSTUPNÉ ČÁSTI MOHOU BÝT VELMI HORKÉ, DRŽTE MALÉ DĚTI DÁL. NEPOHYBUJTE ZAŘÍZENÍM BĚHEM VAŘENÍ. USCHOVEJTE NÁVOD PRO BUDOUCÍ POUŽITÍ. KRESBY SLOUŽÍ POUZE K ORIENTACI.

ELEKTRICKÁ PIZZA PEC			
90446 (13 INCH)		90448 (17 INCH)	
220-240 V~ 50-60 Hz	2200 W	220-240 V~ 50-60 Hz	2200 W
IPX4	Net weight: 21.8 kg	IPX4	Net weight: 26.4 kg
Millarco International A/S Rokhøj 26, 8520 Lystrup, Denmark www.millarco.com www.cozzebbq.com millarco@millarco.com			



Nechodte s elektrickým spotřebičem do běžného komunálního odpadu, použijte oddělené sběrné zařízení.

Kontaktujte místní úřady pro informace o dostupných sběrných systémech. Pokud jsou elektrické spotřebiče likvidovány na skládkách nebo ve skládkách, mohou se nebezpečné látky dostat do podzemní vody a do potravinového řetězce, což může poškodit vaše zdraví a pohodu.

1.1 Provoz

NEBEZPEČÍ

- Používejte pizza pec v dobře větrané oblasti.
- Nepoužívejte v pizza peci uhlí, brikety, kapalná paliva nebo lávové kameny.

VAROVÁNÍ

- Používejte pouze podle pokynů v tomto uživatelském manuálu. Nesprávné použití může způsobit požár, elektrický šok nebo zranění.
- Tato pizza pec by měla být připojena pouze k uzemněné zásuvce.
- Tato pizza pec by měla být napájena přes zařízení pro detekci zbytkového proudu (RCD) s jmenovitým zbytkovým provozním proudem, který nepřesahuje 30 mA.
- Nepoužívejte pizza pec, pokud je elektrická zásuvka poškozená.
- Pokud je napájecí kabel poškozen, musí být vyměněn výrobcem, jeho servisním zástupcem nebo podobně kvalifikovanou osobou, aby se předešlo nebezpečí.
- Vždy odpojujte zásuvku vytáhnutím zástrčky. Nepoužívejte kabel k odpojení.
- Nepoužívejte pizza pec do 3 m od jakékoli vody, jako je bazén nebo rybník.
- Nepoužívejte pizza pec do 60 cm od hořlavých materiálů. Minimální bezpečné vzdálenosti jsou: nad pizza pecí 1,2 m. Na zadní straně a po stranách 60 cm (viz ilustrace).
- Udržujte varnou plochu mimo dosah hořlavých par a kapalin, jako je benzín, alkohol atd., a hořlavých/kombustibilních materiálů.
- Pokud dojde k požáru tuků, zavřete víko, vypněte vypínač, odpojte pizza pec od zásuvky a nechte víko zavřené, dokud oheň neuhasne. Nepoužívejte kapalinu k hašení plamenů.
- Přístupné části mohou být velmi horké. Držte malé děti a domácí zvířata dál.
- VAROVÁNÍ: Pizza pec a její přístupné části se během používání zahřívají. Je nutné se vyhnout dotyku s topnými prvky.
- Tato pizza pec může být používána dětmi od 8 let a osobami s omezenými fyzickými, smyslovými nebo duševními schopnostmi nebo bez zkušeností a znalostí, pokud jim byla poskytnuta dohled nebo pokyny týkající se bezpečného používání pizza pece a rozumí rizikům. Děti nesmí hrát s pizza pecí. Čistění a údržbu by neměly provádět děti bez dohledu.
- Děti mladší 8 let musí být drženy mimo dosah, pokud nejsou neustále pod dohledem.
- Užívání alkoholu, léků na předpis, léků bez předpisu nebo nelegálních drog může ovlivnit schopnost spotřebitele správně a bezpečně sestavit, přemístit, skladovat nebo používat pizza pec.
- Pokyny týkající se osob (včetně dětí) s omezenými fyzickými, smyslovými nebo duševními schopnostmi, nebo bez zkušeností a znalostí, se na tuto situaci nevztahují.
- Neponechávejte pizza pec bez dozoru během předhřívání nebo používání. Při používání pizza pece postupujte opatrně.
- Nezvedejte pizza pec během používání.
- Udržujte napájecí kabel mimo dosah horkých ploch. Dodržujte pokyny pro správu kabelů.
- Umiňte napájecí kabel mimo oblast s vysokým provozem. Umístěte kabel tak, aby se neprovedl ani o něj neklopýtnul.
- Nepoužívejte pizza pec, pokud je spadlá nebo v jakémkoli způsobu nefunkční.

- Uhlí nebo podobné hořlavé palivo nesmí být použito s touto pizza pecí.
- Pizza pec by měla být připojena k zásuvce s uzemněním.
- Napájecí kabel by měl být pravidelně kontrolován na známky poškození a pizza pec by neměla být používána, pokud je kabel poškozený.
- Aby se ochránil proti elektrickému šoku, nepoužívejte kabel, zástrčky, sondy nebo pizza pec ve vodě nebo jiných kapalinách.
- Aby se předešlo elektrickému šoku, nestříkejte kapalinu dovnitř pizza pece.
- Pizza pec používejte pouze na rovné, tepelně odolné ploše.
- Při používání pizza pece použijte tepelně odolné rukavice.

OPATRNOST

- Při připojování této pizza pece k elektrické síti se ujistěte, že napětí odpovídá napěťovému označení na štítku pizza pece.
- Nepřekračujte výkon elektrické zásuvky.
- Nepoužívejte pizza pec v žádném vozidle ani v žádném skladovací nebo nákladní oblasti vozidla. To zahrnuje, ale není omezeno na, automobily, nákladní vozy, kombíky, minivany, sportovní užitková vozidla, mobilní domy, karavany a lodě.
- Při instalaci: Nepokládejte na povrchy nebo poblíž zdí, přiček nebo kuchyňského nábytku, pokud nejsou vyrobeny z nehořlavého materiálu nebo potaženy nehořlavým tepelně izolačním materiálem, a dodržujte předpisy pro prevenci požárů.
- Nepoužívejte pizza pec s dvířky pece déle než 2 hodiny, abyste předešli přehřátí pece.
- **NEPOUŽÍVEJTE** kámen nad otevřeným ohněm.
- Vyhněte se extrémním změnám teploty kamene. **NEPOKLÁDEJTE** zmražené potraviny na horký kámen.
- Kámen je křehký a může se rozbít, pokud bude naražen nebo spadne.
- Kámen je velmi horký během používání a zůstává horký i dlouho po použití.
- **NECHLAĎTE** kámen vodou, když je horký.
- Po umytí kamene vodou, prosím, osušte kámen před použitím. To lze provést v běžné troubě při 60 °C (140°F) po dobu 2 hodin.
- Ukládejte pizza kámen na suchém a teplém místě.
- Pizza kámen je považován za opotřebitelnou součást a není pokryt zárukou.
- Nechte pizza pec vychladnout, než ji přesunete, vyčistíte nebo uložíte.
- Dvířka pizza pece by neměla být používána v blízkosti hořlavých materiálů během vaření (produkty na bázi ropy, ředidla nebo jakýkoli jiný pevný předmět s varovným štítkem na hořlavost).
- Zakryjte pizza pec pouze tehdy, když je studená.

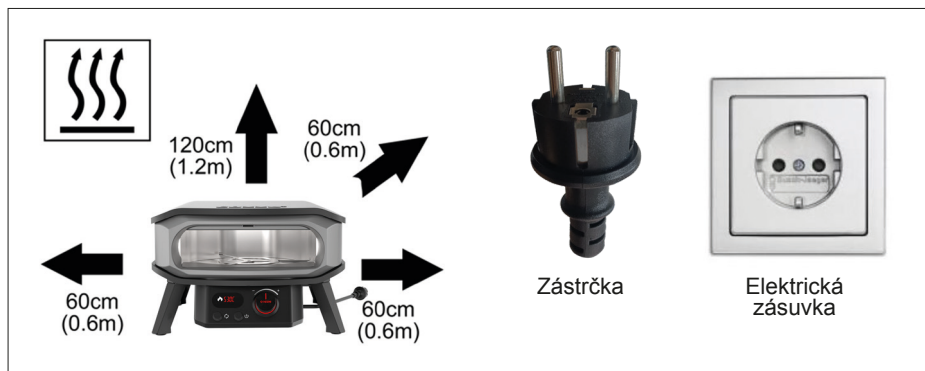
1.2 Instalace a montáž

VAROVÁNÍ

- Tento model pizza pece je určen pouze pro volně stojící použití na rovném povrchu.
- Pečlivě si přečtete následující pokyny a ujistěte se, že vaše pizza pec je správně nainstalována, sestavena a udržována. Nedodržení těchto pokynů může vést k vážnému zranění a/nebo poškození majetku.

OPATRNOST

- Aby se minimalizovalo riziko poškození majetku a/nebo osobního zranění, nepoužívejte prodlužovací napájecí kabel, pokud neodpovídá specifikacím uvedeným v tomto uživatelském manuálu.
- Pokud je nutné použít prodlužovací kabel, musí být připojen k uzemněné zásuvce. Používejte pouze kabel o průměru 14 AWG s uzemněnou zástrčkou, vhodný pro použití s pizza pecí. Maximální délka prodlužovacího kabelu je 4 metry. Udržujte prodlužovací kabel co nejkratší. Před použitím zkontrolujte prodlužovací kabel a v případě poškození jej vyměňte.
- Ujistěte se, že kabel nepředstavuje riziko zakopnutí.
- Udržujte konektory suché.
- Dvířka pizza pece jsou mobilní dvířka pro vaši pizza pec. Použití těchto dvířek během ohřevu může zkrátit čas ohřevu o 20–30%.
- Dvířka pizza pece musí být během používání udržována dál od hořlavých materiálů.
- Dvířka pizza pece nesmí být umístěna na žádném hořlavém povrchu, dokud nejsou studená.
- Nedávejte dvířka pizza pece na vrch pizza pece během vaření.
- **NEPOUŽÍVEJTE** žádné nebezpečné předměty, jako je zapalovač nebo zápalná tekutina, vedle dvířek pizza pece. Dvířka pizza pece po použití vyzařují teplo do všech směrů.
- Dodržujte všechny místní zákony a předpisy při používání této pizza pece.
- Pokud máte jakékoli otázky ohledně montáže nebo provozu, obraťte se na svého prodejce.
- Doporučuje se používat ochranné rukavice při manipulaci s obzvláště horkými součástmi.
- Součásti uzavřené výrobcem nebo jeho zástupcem nesmí být manipulovány uživatelem.
- **POZNÁMKA PRO ZÁKAZNÍKA:** Tento návod si uchovejte pro budoucí použití.



2. Vlastnosti produktu



A: LED displej slouží jako digitální teploměr, který zobrazuje teplotu v peci, dokud není dosaženo nastavené teploty. To zajišťuje přesné a správné měření teploty vaší pizza pece.

B: Ovládací knoflík je snadno použitelný. Stisknutím knoflíku zapnete nebo vypnete jednotku. Otočením po směru hodinových ručiček zvýšíte požadovanou teplotu, otočením proti směru hodinových ručiček snížíte požadovanou teplotu. Stisknutím knoflíku na tři sekundy přepnete mezi °F a °C.

C: Tlačítko pro motor rotujícího roštu ovládá otevírání a zavírání rotujícího roštu.

D: Hlavní vypínač ovládá zapnutí a vypnutí pizza pece.

E: Dvířka pizza pece se používají jak při předehřívání pece, tak i během pečení pizzy.



VAROVÁNÍ
VYSOKÁ TEPLOTA

OPATRNOST!

NEKONTAKTUJTE TĚLO, HORNÍ
PANEL NEBO TOPNÉ TĚLESO BĚHEM
POUŽÍVÁNÍ. PŘÍSTUPNÉ ČÁSTI MOHOU
BÝT MOC HORKÉ.

PŘÍPRAVA K POUŽITÍ

Pečlivě si přečtěte tyto pokyny, abyste se vyhnuli vážnému poškození vaší pizza pece a zranění sebe nebo majetku.

1. Sestavte pizza pec a dvířka pizza pece podle pečlivě uvedených pokynů pro montáž.
2. Připojte pizza pec k elektrické zásuvce, která je vypnutá, stiskněte hlavní vypínač (D) pro zapnutí pizza pece, stiskněte ovládací knoflík pro aktivaci displeje, který ukáže teplotu v peci. Stiskněte tlačítko (C) pro zahájení funkce rotace.
3. Po použití nezapomeňte vytáhnout napájecí kabel.

FUNKCE OVLÁDACÍHO TLAČÍTKA

- Stiskněte knoflík pro zapnutí a zobrazení teploty.
- Otočením po směru hodinových ručiček zvýšíte požadovanou teplotu, otočením proti směru hodinových ručiček snížíte požadovanou teplotu.
- Stisknutím knoflíku na tři sekundy přepnete mezi °F a °C.
- Nastavení teploty: Jakmile otočíte ovládací knoflík na požadovanou teplotu, uvolněte knoflík a displej třikrát zabliká, aby potvrdil nastavenou teplotu. Pizza pec začne ohřívat, dokud nedosáhne nastavené teploty. Displej bude ukazovat průběh od aktuální teploty až po nastavenou teplotu. Upozorňujeme, že teplota zobrazená na displeji je nastavena teplota. Jakmile umístíte jídlo na vařicí plochu, teplota vaření se sníží kvůli tomu, že jídlo je studené. Displej bude stále ukazovat vámi nastavenou teplotu a bude se zahřívat, dokud nedosáhne nastavené teploty.
- Stiskněte knoflík pro vypnutí.
- Po použití vytáhněte napájecí kabel ze zásuvky.

AMBIENTNÍ PODMÍNKY

- Používání pece v chladnějším podnebí nebo ve vyšší nadmořské výšce prodlouží čas vaření.
- Trvalý vítr sníží vnitřní teplotu pizza pece.
- Vařicí plochy jsou snadno vyměnitelné.

3. SKLADOVÁNÍ

- Vždy nechte pizza pec vychladnout před uložením.
- Vždy odpojte napájecí kabel vytáhnutím zástrčky. Nepřitahujte kabel.
- Zakryjte pizza pec pouze, když je vychladlá.
- Vždy skladujte zakrytou pizza pec na teplém a suchém místě.

4. ČISTĚNÍ A ÚDRŽBA

OPATRNOST: Veškeré čištění a údržbu provádějte, až když je pizza pec vychladlá a napájecí kabel je odpojen od elektrické zásuvky. "Spálení" pizza pece po každém použití (na cca 15 minut) pomůže minimalizovat zbytky jídla. Doporučuje se čistit a provádět údržbu pizza pece alespoň jednou měsíčně, aby se prodloužila její životnost a snížila možnost problémů.

5. ČIŠTĚNÍ

- Nechte pizza pec vychladnout, než ji začnete čistit.
- Nepoužívejte žádné zařízení na vysokotlakou páru nebo vodní paprsek k čištění pizza pece.

VENKOVNÍ POVRCHY

- Použijte mírný čisticí prostředek nebo roztok jedlé sody a horké vody. Na odolné skvrny lze použít neabrazivní čisticí prášek, poté opláchněte vodou.

PLASTOVÉ POVRCHY

- Umyjte měkkým hadříkem a roztokem horké mýdlové vody. Opláchněte vodou. Nepoužívejte abrazivní čisticí prostředky, odmašťovače nebo koncentrovaný čistič na grily na plastové díly.

PIZZA KÁMEN

- Použijte drátěný kartáč COZZE k odstranění zbytků po "spálení". Pokud je to nutné, studený kámen lze opláchnout vodou. Ujistěte se, že kámen je před dalším použitím zcela suchý.

6. VRÁCENÍ ZAŘÍZENÍ K OPRAVĚ, SERVISU A ZÁRUKÁM

- Nemažte pizza pec. To může způsobit, že pizza pec se stane nebezpečnou. Jakékoliv úpravy budou znamenat zrušení záruky.
- Pokud nelze problém vyřešit podle těchto pokynů, obraťte se na svého místního distributora pro poradenství, inspekci nebo pokyny k opravám.
- Prosím uchovávejte všechny doklady o platbě a certifikát instalace pro účely záruky. Pokud tyto doklady nemohou být poskytnuty, všechny záruky budou považovány za neplatné.

7. Pečte dokonalou pizzu s vaší Cozze pizza pecí

Předehejte svou Cozze pizza pec na přibližně 400°C. Vysoká teplota je tajemstvím dokonalé pizzy!

Jak používat vaši pizza pec:

1. Důkladné předeheťtí:

- Zapojte troubu a předehejte ji alespoň 20 minut, abyste zajistili, že kámen dosáhne 400°C (pro přesnost použijte Cozze infračervený teploměr)

2. Pečení pizzy:

- Umístěte svou pizzu na horký, rotující kámen pomocí pádla.
- Během pečení nastavte teplotu na nízkou, aby se kůrka zůstala křupavá, aniž by se spálila.

3. Mezi pizzami:

- Pro další pizzy zvyšte teplotu na maximum na 5 minut, aby se kámen znovu zahřál, a poté proces zopakujte.

4. Podávejte a užívejte si:

- Vyjměte pizzu, nechte ji mírně vychladnout, nakrájejte a pusťte se do toho.

S Cozze je každá pizza noc mistrovským dílem.

Bon appétit!

8. Obecná záruka Cozze

Cozze poskytuje 2-letou záruku na všechny produkty.

Tato záruka podléhá následujícím podmínkám:

- Produkt Cozze je používán v souladu s pokyny v uživatelské příručce.
- Produkt Cozze není upraven.
- Produkt Cozze je správně sestaven podle předpisů.
- Produkt Cozze je pravidelně udržován a čištěn podle uživatelské příručky.
- Produkt Cozze je při nepoužívání uchováván zakrytý.
- Zimní skladování Cozze: Všechny dřevěné části, pizza kameny a příslušenství Cozze musí být během zimy skladovány v interiéru.
- Produkt Cozze je, kde je to relevantní, připojen k odpovídajícímu typu plynu nebo elektřiny.
- Produkt Cozze je umístěn na rovné a bezpečné ploše.
- Produkt Cozze není vybaven neoriginálními díly Cozze.
- Produkt Cozze by neměl být skladován jako pevná součást v blízkosti moře, chlorovaných bazénů nebo vířivek.
- Produkt Cozze je určen pouze pro soukromé použití.

Záruka se nevztahuje na produkty Cozze, které jsou vadné, poškozené nebo jinak degradované v důsledku:

- Očekávaného opotřebení při běžném použití.
- Vandalismu.
- Neobvyklého počasí, jako jsou kroupy, bouře, tornáda, tsunami, zemětřesení nebo silné bouře.
- Jiných podmínek prostředí, jako je kyselý déšť, chlor/sůl ve vzduchu a jiné environmentální podmínky.

ELEKTRIKUS PIZZA SÜTŐ

HU - Használati útmutató

Olvassa el és kövesse ezeket az utasításokat a biztonság biztosítása és az anyagi kár megelőzése érdekében.

ÓVATOSSÁG: Olyan veszélyes helyzetet jelez, amely, ha nem kerül elkerülésre, kisebb vagy közepes sérülést okozhat.

FIGYELEM: Olyan veszélyes helyzetet jelez, amely, ha nem kerül elkerülésre, halált vagy súlyos sérülést okozhat.

VESZÉLY: Olyan veszélyes helyzetet jelez, amely, ha nem kerül elkerülésre, halált vagy súlyos sérülést fog okozni.

FIGYELEM!

Olvassa el figyelmesen ezt az utasítást, és győződjön meg arról, hogy a pizzasütő megfelelően van telepítve, összeszerelve, karbantartva és szervizelve ezen utasításoknak megfelelően. Az utasítások figyelmen kívül hagyása súlyos testi sérülést és/vagy anyagi kárt okozhat.

Ha bármilyen kérdése van a pizzasütő összeszerelésével vagy működtetésével kapcsolatban, kérjük, forduljon a forgalmazójához.

Jegyzetek a felhasználó számára:

EZ A PIZZASÜTŐ CSAK HÁZTARTÁSI HASZNÁLATRA SZÁNT. OLVAASA EL AZ UTASÍTÁSOKAT A KÉSZÜLÉK HASZNÁLATA ELŐTT.

FIGYELEM: AZ ELÉRHETŐ ALKATRÉSZEK NAGYON FORRÓK LEHETNEK, TARTSA TÁVOL A KISGYEREKEKET.

NE MOZGASSA A KÉSZÜLÉKET FŐZÉS KÖZBEN. ŐRIZZE MEG A KÉZIKÖNYVET KÉSŐBBI HÁLÓZATHOZ.

A RAJZOK CSUPÁN ILLUSZTRÁCIÓK, CSUPÁN REFERENCIA CÉLJÁBÓL.

ELEKTRIKUS PIZZA SÜTŐ			
90446 (13 INCH)		90448(17 INCH)	
220-240 V~ 50-60 Hz	2200 W	220-240 V~ 50-60 Hz	2200 W
IPX4	Net weight: 21.8 kg	IPX4	Net weight: 26.4 kg
Millarco International A/S Rokhøj 26, 8520 Lystrup, Denmark www.millarco.com www.cozzebbq.com millarco@millarco.com			



Ne dobja el az elektromos készüléket rendezetlen kommunális hulladékként, használjon külön gyűjtőhelyeket. Vegye fel a kapcsolatot a helyi önkormányzattal az elérhető gyűjtőrendszerek információival kapcsolatban. Ha az elektromos készülékeket hulladéklerakókba vagy szeméttelpekre dobják, veszélyes anyagok szivároghatnak a talajvízbe, és bekerülhetnek az élelmiszerláncba, károsítva ezzel az egészséget és jólétet.

1.1 Működés

VESZÉLY

- Használja a pizzasütőt jól szellőző helyiségben.
- Ne használjon faszenet, brikettet, folyékony üzemanyagot vagy lávát a pizzasütőben.

FIGYELEM

- Csak a felhasználói kézikönyvben leírt módon használja. A helytelen használat tűzhez, áramütéshez vagy sérüléshez vezethet.
- A pizza sütőt csak földelt aljzathoz szabad csatlakoztatni.
- A pizza sütőt egy maradék áramvédelmi eszközzel (RCD) kell ellátni, amelynek névleges maradék működési áramértéke nem haladja meg a 30 mA-t.
- Ne használja a pizza sütőt, ha az elektromos aljzat sérült.
- Ha a tápkábel sérült, azt a gyártónak, szervizelő ügynökének vagy hasonlóan képzett személyeknek kell kicserélniük, hogy elkerüljük a veszélyt.
- Mindig a dugót húzva húzza ki. Ne húzza a kábelt.
- Ne használja a pizza sütőt 3 m-nél közelebb vízhez, például medencéhez vagy tóhoz.
- Ne használja a pizza sütőt 60 cm-nél közelebb gyúlékony anyagokhoz. A minimális biztonsági távolságok a következők: A pizza sütő felett 1,2 m. A hátsó és oldalsó részeknél 60 cm (lásd a képet).
- Tartsa tisztán a főzőfelületet gyúlékony gőzöktől és folyadékoktól, például benzintől, alkoholtól stb., és gyúlékony/éghető anyagoktól.
- Ha zsírtűz keletkezik, zárja le a fedelet, kapcsolja ki a tápegységet, húzza ki a pizza sütőt az aljzathoz, és hagyja zárva a fedelet, amíg a tűz el nem oltódik. Ne használjon folyadékot a lángok eloltására.
- Az elérhető alkatrészek nagyon forrók lehetnek. Tartsa távol a kisgyerekeket és háziállatokat.
-
- **FIGYELEM:** A pizza sütő és annak elérhető részei használat közben forróvá válnak. Ügyeljen arra, hogy ne érintse meg a fűtőelemeket.
- Ez a pizza sütő 8 éves vagy idősebb gyermekek, valamint csökkent fizikai, érzékszervi vagy mentális képességű személyek, vagy tapasztalattal és tudással nem rendelkező személyek számára használható, ha felügyeletet kaptak, vagy utasítást kaptak a pizza sütő biztonságos használatával kapcsolatban, és értik a vele járó veszélyeket. A gyermekek nem játszhatnak a pizza sütővel. A tisztítást és a felhasználói karbantartást nem végezhetik el gyermekek felügyelet nélkül.
- 8 évnél fiatalabb gyermekeket távol kell tartani, kivéve, ha folyamatos felügyelet alatt állnak.
- Az alkohol, vényköteles gyógyszerek, vény nélküli gyógyszerek vagy illegális drogok használata károsíthatja a fogyasztó képességét, hogy megfelelően és biztonságosan összerendezje, mozgassa, tárolja vagy használja a pizza sütőt.
- A csökkent fizikai, érzékszervi vagy mentális képességű személyekkel kapcsolatos utasítások nem alkalmazhatóak.
- Ne hagyja felügyelet nélkül a pizza sütőt a bemelegítés vagy használat közben. Legyen óvatos a pizza sütő használatakor.
- Ne mozgassa a pizza sütőt használat közben.
- Tartsa távol az elektromos tápkábelt a fűtött felületektől. Kövesse a kábelkezelési utasításokat.

- Helyezze el a tápkábelt a forgalmas területektől távol. Úgy rendezze el a kábelt, hogy ne húzzák meg, és ne botoljanak bele.
- Ne használja a pizza sütőt, ha az leesett, vagy bármilyen módon meghibásodott.
- A faszenet vagy hasonló éghető üzemanyagokat nem szabad használni a pizza sütőhöz.
- A pizza sütőt olyan aljzathoz kell csatlakoztatni, amely földelt érintkezővel rendelkezik.
- A tápkábelt rendszeresen ellenőrizni kell a sérülések jeleit, és a pizza sütőt nem szabad használni, ha a kábel sérült.
- Az áramütés elkerülése érdekében ne merítse a kábelt, dugót, szondát vagy a pizza sütőt vízbe vagy más folyadékba.
- Az áramütés elkerülése érdekében ne fújjon folyadékot a pizza sütő belsejébe.
- Csak egy szintetikus, hőálló felületen használja a pizza sütőt.
- Használjon hőálló kesztyűt a pizza sütő működtetésekor.

ÓVATOSSÁG

- A pizza sütő csatlakoztatásakor győződjön meg arról, hogy az áramellátás feszültsége megfelel a pizza sütő címkén feltüntetett feszültségértéknek.
- Ne lépje túl az elektromos aljzat teljesítményét.
- Ne használja a pizza sütőt járművekben, illetve járművek tároló- vagy rakodóterében. Ez magában foglalja, de nem korlátozódik a személyautókra, teherautókra, kombikra, minibuszokra, sport utility vehicle-ekre (SUV), lakóautókra, lakókocsokra és hajókra.
- A telepítés során: ne helyezze a pizza sütőt felületekre vagy falak, válaszfalak, konyhabútorok és hasonló anyagok közelébe – hacsak nem tűzálló anyagból készültek, vagy tűzálló hőszigetelő anyaggal vannak bevonva, és ügyeljen a tűzvédelmi előírásokra.
- Ne használja a pizza sütőt a pizza sütő ajtajával 2 óránál hosszabb ideig, hogy elkerülje a sütő túlmelegedését.
- NE használja a követ a nyílt láng felett.
- Kerülje az extrém hőmérséklet-változásokat a kőnél. NE helyezzen fagyasztott ételt forró kőre.
- A kő törékeny, és eltörhet, ha megütik vagy leesik.
- A kő nagyon forró használat közben, és hosszú ideig forró marad használat után.
- NE hűtse le a követ vízzel, amikor a kő forró.
- Miután a követ vízzel tisztította, kérjük, szárítsa meg, mielőtt újra használná. Ezt egy hagyományos sütőben 60 °C-on (140 °F) 2 órán keresztül végezheti el.
- Tárolja a pizza követ száraz, meleg helyen.
- A pizza kő kopóalkatrésznek számít, és nem tartozik a garanciába.
- Hagyja a pizza sütőt lehűlni, mielőtt mozgatná, tisztítaná vagy tárolná.
- A pizza sütő ajtaját ne használja gyúlékony anyagok közelében főzés közben (olaj alapú termékek, hígítók vagy bármely más szilárd tárgy, amely gyúlékony figyelmeztető címkét visel).
- A pizza sütőt csak akkor takarja le, amikor már lehűlt.

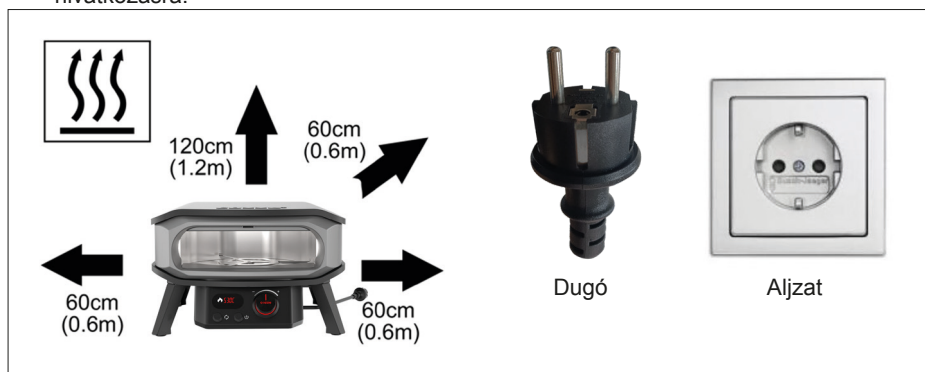
1.2 Telepítés és összeszerelés

FIGYELEM

- Ez a pizza sütő modell kizárólag álló helyzetben, egy sík felületen való használatra készült.
- Olvassa el figyelmesen az alábbi utasításokat, és győződjön meg arról, hogy a pizza sütő megfelelően van telepítve, összeszerelve és karbantartva. Az utasítások figyelmen kívül hagyása súlyos testi sérülést és/vagy anyagi kárt okozhat.

ÓVATOSSÁG

- A vagyontárgy és/vagy személyi sérülés kockázatának minimalizálása érdekében ne használjon hosszabbító tápkábelt, hacsak nem felel meg a felhasználói kézikönyvben szereplő specifikációknak.
- Ha szükséges a hosszabbító kábel használata, azt földelt aljzathoz kell csatlakoztatni. Használjon csak 14-es méretű kábelt földelt dugóval, amely alkalmas a pizza sütőhöz. A maximális hosszúság 4 méter. Tartsa a hosszabbítót a lehető legrövidebbre. Ellenőrizze a hosszabbítót használat előtt, és cserélje ki, ha sérült.
- Győződjön meg arról, hogy a kábel nem jelent botlásveszélyt.
- Tartsa a csatlakozásokat szárazon.
- A pizza sütő ajtója egy mozgatható ajtó a pizza sütőhöz. Ezen pizza sütő ajtó használatával a fűtési idő 20-30%-kal lerövidíthető.
- A pizza sütő ajtaját használat közben távol kell tartani a gyúlékony anyagoktól.
- A pizza sütő ajtaját ne helyezze gyúlékony felületre, amíg az teljesen le nem hűlt.
- Ne helyezze a pizza sütő ajtaját a pizza sütő tetejére főzés közben.
- NE hagyjon semmilyen veszélyes tárgyat, például öngyújtót vagy gyújtós folyadékot a pizza sütő ajtója közelében. Valójában a pizza sütő ajtója használat után minden irányba hőt sugároz.
- Tartsa be az összes helyi törvényt és előírást a pizza sütő használata során.
- Ha kérdése van az összeszereléssel vagy működtetéssel kapcsolatban, forduljon kereskedőjéhez.
- Ajánlott védőkesztyűt használni, amikor különösen forró alkatrészeket kezel.
- A gyártó vagy ügynök által lezárt alkatrészeket a felhasználó nem manipulálhatja.
- **MEGJEGYZÉS A FOGYASZTÓNAK:** Tartsa meg ezt a kézikönyvet későbbi hivatkozásra.



2. Termékjellemzők



A: A LED kijelző digitális hőmérőként működik, és a sütőkamra hőmérsékletét mutatja, amíg a beállított hőmérsékletet el nem éri. Ez biztosítja a pontos és precíz hőmérséklet-leolvasást a pizza sütőjében.

B: A vezérlőgomb könnyen használható. Nyomja meg a bekapcsoláshoz vagy kikapcsoláshoz. Forgassa az óramutató járásával megegyező irányba a kívánt hőmérséklet növeléséhez, vagy az óramutató járásával ellentétes irányba a kívánt hőmérséklet csökkentéséhez. Tartsa lenyomva a gombot három másodpercig a °F vagy °C közötti váltáshoz.

C: A forgó motor gombja irányítja a forgó állvány nyitását és zárását.

D: Az alap kapcsoló gombja irányítja a pizza sütő bekapcsolását és kikapcsolását.

E: A pizza sütő ajtaja használható a sütő előmelegítésekor és a pizza sütése közben is.



FIGYELEM
MAGAS HŐMÉRSÉKLET

ÓVATOSSÁG!

NE ÉRJE A KÜLSŐ RÉSZEIT, A FELSŐ
PANELET VAGY A FŰTŐTEKERCSŐT
HASZNÁLAT KÖZBEN. AZ ELÉRHETŐ
RÉSZEK NAGYON FORRÓK LEHETNEK.

ELŐKÉSZÜLETEK A HASZNÁLATHOZ

Kövesse ezeket az utasításokat gondosan, hogy elkerülje a pizza sütő komoly károsodását és saját magára, valamint másokra vonatkozó sérüléseket.

1. Szerelje össze a pizza sütőt és a pizza sütő ajtaját a szerelési utasítások pontos követésével.
2. Csatlakoztassa a pizza sütőt egy kikapcsolt áramforráshoz, nyomja meg az alap kapcsoló gombot (D) a pizza sütő bekapcsolásához, nyomja meg a vezérlőgombot a kijelző működésének elindításához, a kijelző a sütőkamra hőmérsékletét mutatja. Nyomja meg a (C) gombot a forgó funkció elindításához.
3. Ne felejtse el kihúzni a hálózati csatlakozót használat után.

VEZÉRLŐ GOMB FUNKCIÓI

- Nyomja meg a gombot a bekapcsoláshoz és a hőmérséklet kijelzéséhez.
- Forgassa az óramutató járásával megegyező irányba a kívánt hőmérséklet növeléséhez, vagy az óramutató járásával ellentétes irányba a kívánt hőmérséklet csökkentéséhez.
- Tartsa lenyomva a gombot három másodpercig a °F vagy °C közötti váltáshoz.
- Hőmérséklet beállítása: Miután a vezérlőgombot a kívánt hőmérsékletre állította, engedje el a vezérlőgombot, és a kijelző háromszor villog, hogy megerősítse a beállított hőmérsékletet. A pizza sütő most kezd el fűteni, amíg el nem éri a beállított hőmérsékletet. A kijelző mutatja a hőmérséklet változását a jelenlegi hőmérsékletről a beállított hőmérsékletre. Vegye figyelembe, hogy a kijelzőn mutatott hőmérséklet a beállított hőmérséklet, de amikor ételt helyeznek a főzési felületre, a főzési felület hőmérséklete csökken az étel hidegsége miatt. A kijelző továbbra is a beállított hőmérsékletet mutatja, és újra felmelegíti, amíg el nem éri a beállított hőmérsékletet.
- Nyomja meg a gombot a kikapcsoláshoz.
- Húzza ki a hálózati csatlakozót, amikor nem használja a sütőt.

KÖRNYEZETI FELTÉTELEK

- A sütő használata hidegebb éghajlaton vagy magasabb tengerszint feletti magasságban meghosszabbítja a főzési időt.
- A tartós szél csökkenti a pizza sütő belső hőmérsékletét.
- A főzési felületek könnyen cserélhetők.

3. TÁROLÁS

- Mindig hagyja a pizza sütőt lehűlni, mielőtt tárolná.
- Mindig húzza ki a csatlakozót a dugó meghúzásával. Ne húzza a kábelt.
- A pizza sütőt csak akkor fedje le, amikor már lehűlt.
- Mindig tárolja a lefedett pizza sütőt meleg és száraz helyen.

4. TISZTÍTÁS ÉS KARBA TARTÁS

ÓVATOSSÁG: Minden tisztítást és karbantartást akkor végezzen, amikor a pizza sütő lehűlt és a hálózati csatlakozó ki van húzva. A pizza sütőt minden használat után (kb. 15 percig) "kiégetve" tartani minimalizálja a felesleges ételmaradékot. Ajánlott legalább havonta egyszer tisztítani és karbantartani a pizza sütőt, hogy meghosszabbítsa annak élettartamát és csökkentse a problémák lehetőségét.

5. TISZTÍTÁS

- Hagyja lehűlni a pizza sütőt, mielőtt tisztítja.
- Ne használjon nagy nyomású gőzberendezést vagy vízsugarat a pizza sütő tisztításához.

KÜLSŐ FELÜLET

- Használjon enyhe tisztítószeret vagy szódadikarbónát forró víz oldatában. A makacs foltokhoz használhat nem-abrazív súrolóport, majd öblítse le vízzel.

MŰANYAG FELÜLETEK

- Mossa meg puha ronggyal és forró, szappanos víz oldatával. Öblítse le vízzel. Ne használjon abrazív tisztítószeret, zsírolókat vagy koncentrált grillező tisztítószeret a műanyag alkatrészekhez.

PIZZA KŐ

- Használja a COZZE drótkéfé a "kiégetés" után megmaradt részecskék eltávolítására. Szükség esetén a hideg követ le lehet öblíteni vízzel. Győződjön meg róla, hogy a kő teljesen száraz, mielőtt legközelebb használatba veszi.

6. A készülék javításra, szervizelésre és garanciára történő visszaküldése

- Do not modify the pizza oven. This may cause the pizza oven to become unsafe. Any Ne módosítsa a pizzasütőt. Ez a pizzasütőt biztonságatlanná teheti. Bármilyen módosítás a garancia érvénytelenségét eredményezi.
- Ha az alábbi utasítások követésével nem tudja elhárítani a hibát, lépjen kapcsolatba a helyi forgalmazójával tanácsért, ellenőrzésért vagy javítási utasításokért.
- Kérjük, őrizze meg az összes fizetési bizonylatot és a telepítési tanúsítványt a garancia érvényesítéséhez. Amennyiben ezeket nem tudja bemutatni, minden garancia érvényét veszti..

7. Süss tökéletes pizzát a Cozze pizzasütőddel!

Melegítsd elő a Cozze pizzasütődet kb. 400°C-ra. A magas hőmérséklet a tökéletes pizza titka!

Hogyan használd a pizzasütőt:

1. Alapos előmelegítés:

- Csatlakoztasd a sütőt az áramforráshoz, és melegítsd elő legalább 20 percig, hogy a sütőkő elérje a 400°C-ot (Használj Cozze infravörös hőmérőt a pontos méréshez)

2. Süsd meg a pizzát:

- Helyezd a pizzát a forró, forgó sütőkőre egy pizzalapáttal.
- Süsd alacsony hőmérsékleten, hogy a tészta ropogós maradjon, de ne égjen meg.

3. Pizzák között:

- További pizzák sütéséhez állítsd a sütőt a maximum hőmérsékletre 5 percre, hogy a sütőkő újra felmelegedjen, majd ismételd meg a folyamatot.

4. Tálalás és élvezet:

- Vedd ki a pizzát, hagyd egy kicsit hűlni, szeleteld fel, és élvezd.

A Cozze-val minden pizzaest igazi remekmű lesz.

Jó étvágyat!

8. Általános Cozze garancia

A Cozze termékekre 2 év garanciát vállalunk.

A fent említett garancia az alábbi feltételekhez kötött:

- A Cozze terméket a használati útmutatóban leírtak szerint használják.
- A Cozze terméket nem módosították.
- A Cozze terméket az előírásoknak megfelelően helyesen szerelték össze.
- A Cozze terméket karbantartják és gyakran tisztítják a használati útmutatóban leírtak szerint.
- A Cozze terméket használaton kívül takaróval fedve tárolják.
- Cozze téli tárolás: Minden fa alkatrészt, pizzasütőkövet és tartozékot beltéren kell tárolni a téli időszakban.
- A Cozze terméket – ahol alkalmazható – a megfelelő típusú gázzal vagy elektromos hálózattal csatlakoztatják.
- A Cozze terméket sík és biztonságos felületre helyezik.
- A Cozze termékhez nem használnak nem eredeti Cozze alkatrészeket.
- A Cozze terméket nem tárolják szilárd alkotóelemként a tenger, klóros úszómedencék vagy forró fürdők közelében.
- A Cozze termék kizárólag magánhasználatra van tervezve.

A garancia nem terjed ki az alábbiakra:

A Cozze termékek, amelyek hibásak, sérültek vagy más módon elhasználódtak az alábbi okok miatt:

- Normál használat során várható kopás.
- Vandalizmus.
- Szokatlan időjárási körülmények, mint jégeső, viharos időjárás, tornádók, szökőárak, földrengések vagy heves viharok.
- Egyéb környezeti hatások, mint savas eső, klór/só a levegőben és más környezeti feltételek.

תנור פיצה חשמלי

HE - מדריך למשתמש

קראו ופעולו לפי הצהרות אלו כדי להבטיח בטיחות ולמנוע נזק לרכוש.
אזור: מציין מצב מסוכן אשר, אם לא יימנע, עשוי להוביל לפגיעה קלה או בינונית.
אזור: מציין מצב מסוכן אשר, אם לא יימנע, עשוי להוביל למוות או לפגיעה חמורה.
ספנה: מציין מצב מסוכן אשר, אם לא יימנע, יוביל למוות או לפגיעה חמורה.

אזור

קראו את ההוראות בזהירות והקפידו שהתנור לפיצה שלכם יהיה מותקן, מורכב, מתוחזק ומטופל לפי ההוראות הללו. אי שמירה על ההוראות עלולה להוביל לפגיעות חמורות ולנזק לרכוש.
אם יש לכם שאלות לגבי הרכבה או הפעלת התנור לפיצה, פנו לספק שלכם.
הערות למשתמש:

התנור לפיצה הזה מיועד לשימוש ביתי בלבד. קראו את ההוראות לפני השימוש במכשיר.
אזור: החלקים הנגישים עשויים להיות חמים מאוד, שמרו על ילדים צעירים הרחק מהמכשיר.
אל תזיזו את המכשיר במהלך הבישול. שמרו את המדריך לעיון עתידי.
השרטוטים הם להמחשה בלבד.

תנור פיצה חשמלי			
90446 (13 INCH)		90448 (17 INCH)	
220-240 V~ 50-60 Hz	2200 W	220-240 V~ 50-60 Hz	2200 W
IPX4	Net weight: 21.8 kg	IPX4	Net weight: 26.4 kg
Millarco International A/S Rokhøj 26, 8520 Lystrup, Denmark www.millarco.com www.cozzebbq.com millarco@millarco.com			



אל תסלקו את המכשיר החשמלי כאשפה עירונית לא ממוינת, השתמשו במתקני איסוף נפרדים. פנו לרשות המקומית שלכם למידע לגבי מערכות האיסוף הזמינות. אם מכשירים חשמליים נפסלים במזבלות או במטמנות, חומרים מסוכנים עשויים לדלוף למי התהום ולהיכנס לשרשרת המזון, מה שיכול להזיק לבריאותכם ולרווחתכם.

ספנה

- השתמשו בתנור הפיצה באזור מאוורר היטב.
- אל תשתמשו בפחם, בְּרִיקֵטִים, דלק נוזלי או אבן לבה בתנור הפיצה.

אזור

- השתמשו בתנור הפיצה רק כפי שמתואר במדריך למשתמש.
- שימוש לא נכון עלול לגרום לשריפה, שוק חשמלי או פציעה.
- תנור הפיצה הזה צריך להיות מחובר לשקע ארקה.
- תנור הפיצה הזה צריך להיות מחובר דרך מכשיר הפסקת זרם יתר (RCD) עם זרם הפסקת יתר שמוערך לא יעלה על 30 מ"א.
- אל תפעילו את תנור הפיצה אם השקע החשמלי פגום.
- אם כבל החשמל פגום, יש להחליפו על ידי היצרן, סוכן השירות שלו או אנשים מוסמכים אחרים כדי למנוע סכנה.
- תמיד הוציאו את התקע מהשקע על ידי גרירת התקע.
- אל תמשכו את הכבל.
- אל תשתמשו בתנור הפיצה בטווח של 3 מטר מכל מקור מים, כמו בריכה או אגם.
- אל תשתמשו בתנור הפיצה בטווח של 60 ס"מ מחומרים דליקים.
- המרחקים הבטוחים המינימליים הם:
מעל תנור הפיצה 1.2 מטר.
- מאחור ומצדדים 60 ס"מ (ראה איור).
- שמרו את האזור בו מבשלים נקי ממפרזים ודליקים, כמו בניזין, אלכוהול ועוד, ומחומרים דליקים/בעירה.
- במקרה של שריפת שומן, סגרו את המכסה, כבו את כפתור ההפעלה, הוציאו את תנור הפיצה מהשקע והשאירו את המכסה סגור עד שהשריפה תכבה.
- אל תשתמשו בנוזלים לכיבוי הלהבות.
- חלקים נגישים עשויים להיות חמים מאוד.
- שמרו על ילדים קטנים ובעלי חיים הרחק מהמכשיר.
- אזור: תנור הפיצה וחלקיו הנגישים הופכים לחמים במהלך השימוש.
- יש לנקוט זהירות ולהימנע ממגע עם אלמנטים חמים.
- תנור הפיצה הזה יכול להיות בשימוש על ידי ילדים מגיל 8 ומעלה ואנשים עם יכולות פיזיות, חושיות או נפשיות מופחתות או חסרי ניסיון וידע אם הוסברו להם הוראות שימוש בטוח בתנור הפיצה והם מבינים את הסיכונים הכרוכים בכך.
- ילדים לא צריכים לשחק עם תנור הפיצה.
- ניקוי ותחזוקה של תנור הפיצה לא יתבצעו על ידי ילדים ללא פיקוח.
- ילדים מתחת לגיל 8 צריכים להישאר הרחק מהמכשיר, אלא אם הם בפיקוח מתמיד.
- השימוש באלכוהול, תרופות מרשם, תרופות ללא מרשם או סמים לא חוקיים עשוי לפגוע ביכולת של המשתמש להרכיב, להזיז, לאחסן או להפעיל את תנור הפיצה בצורה נכונה ובטוחה.
- ההוראות על אנשים (כולל ילדים) עם יכולות פיזיות, חושיות או נפשיות מופחתות או חסרי ניסיון וידע אינן רלוונטיות.
- אל תעזבו את תנור הפיצה ללא השגחה במהלך חימום מראש או במהלך השימוש.
- אל תזיזו את תנור הפיצה במהלך השימוש.

- שמרו כל כבל חשמל הרחק משטחי חום.
- עקבו אחרי הוראות ניהול הכבלים.
- מיקמו את כבל החשמל הרחק מאזורים בהם יש תנועה.
- סידרו את הכבל כך שלא יימשך או יתקל בו מישהו.
- אל תשתמשו בתנור הפיצה אם הוא נפל או אם הוא מקולקל בדרך כלשהי.
- אין להשתמש בתנור הפיצה עם פחם או דלקים דליקים אחרים.
- תנור הפיצה צריך להתחבר לשקע חשמלי עם מגע ארקה.
- יש לבדוק את כבל החשמל מעת לעת ולוודא שאין בו סימני נזק, והפיצה לא תשמש אם הכבל פגום.
- כדי להימנע משוק חשמלי, אל תטבלו את הכבל, התקע, החיישנים או תנור הפיצה במים או בנוזלים אחרים.
- כדי למנוע שוק חשמלי, אל תרססו נוזלים בתוך תנור הפיצה.
- הפעילו את תנור הפיצה רק על משטח ישר ועמיד בחום.
- השתמשו בכפפות חסינות חום במהלך הפעלת תנור הפיצה.

אזור

- כאשר אתם מחברים את תנור הפיצה למערכת החשמל, ודאו שהמתח תואם את המתח שמצויין על תווית התנור.
- אל תעבור את הוולטים של השקע החשמלי.
- אל תשתמשו בתנור הפיצה בתוך רכב או בכל אזור אחסון או מטען של רכב כלשהו.
- זה כולל, אך לא מוגבל לרכב, משאית, רכב משפחתי, מיניוואן, רכבי שטח, קראוונים, קרוואנים וספינות.
- במהלך ההתקנה: אל תניחו את התנור על משטחים או קרוב לקירות, מחיצות או רהיטי מטבח וכדומה – אלא אם כן הם עשויים מחומר לא דליק או מצופים בחומר מבודד מחום, ושימו לב לחוקי מניעת שריפות.
- אל תשתמשו בתנור הפיצה עם דלת התנור במשך יותר משעתיים כדי למנוע חימום יתר של התנור.
- אל תשתמשו באבן מעל להבה פתוחה.
- הימנעו משינויי חום קיצוניים לאבן.
- אל תניחו אוכל קפוא על אבן חמה.
- האבן שבירה ועלולה להישבר אם תיפול או תתנגש.
- האבן חמה מאוד במהלך השימוש ונותרת חמה זמן רב לאחר השימוש.
- אל תקררו את האבן עם מים כשהיא חמה.
- לאחר ניקוי האבן במים, יש לייבש אותה לפני השימוש.
- ניתן לעשות זאת בתנור רגיל ב-140°F (60°C) למשך שעתיים.
- אחסנו את האבן במקום יבש וחמים.
- האבן נחשבת לחלק מתכלה ואינה מכוסה במסגרת האחריית.
- המתיתנו שהפיצה יתקרר לפני שזיזו אותה, ינקו אותה או יאחסנו אותה.
- דלת תנור הפיצה לא תשתמש קרוב לחומרים דליקים במהלך הבישול.
- (מוצרים מבוססי נפט, ממיסים או כל חפץ אחר שכולל אזהרת דליקות).
- כיסוי התנור רק כאשר הוא התקרר.

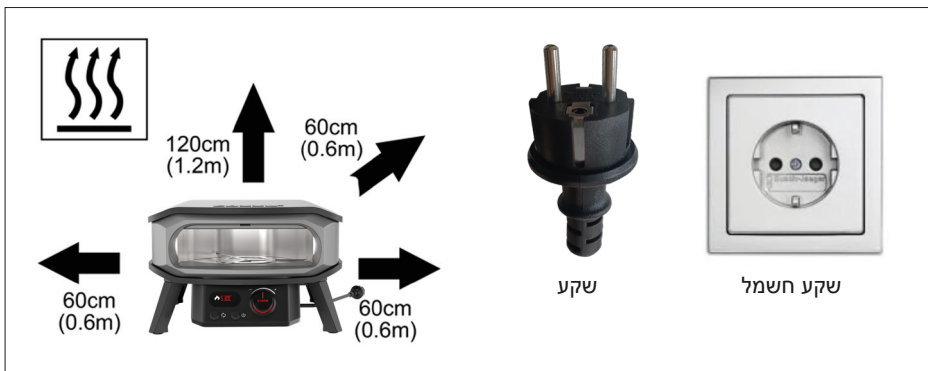
1.2 התקנה והרכבה

אזור

- דגם זה של תנור פיצה מיועד לשימוש חופשי בלבד על משטח שטוח.
- קראו את ההוראות הבאות בקפידה וודאו כי תנור הפיצה מותקן, מורכב ומטופל כראוי.
- אי ציות להוראות אלו עלול להוביל לפציעות חמורות ולנזקים לרכוש.

אזור

- כדי למזער את הסיכון לנזק לרכוש ולפציעות אישיות, אל תשתמשו בכבל הארכה אלא אם הוא תואם למפרטים המפורטים במדריך למשתמש זה.
- אם יש צורך להשתמש בכבל הארכה, הוא חייב להיות מחובר לשקע ארקה. השתמשו רק בכבל בקוטר 14 עם תקע מחובר לארקה, המתאים לשימוש עם תנור הפיצה.
- אורך מקסימלי של כבל הארכה הוא 4 מטרים. שמרו את כבל הארכה קצר ככל האפשר.
- בחנו את כבל הארכה לפני השימוש והחליפו אותו אם הוא פגום.
- וודאו כי הכבל לא מהווה סכנת התפסות.
- שמרו את החיבורים יבשים.
- דלת תנור הפיצה היא דלת ניידת לתנור הפיצה שלכם. שימוש בדלת תנור הפיצה במהלך חימום יכול לקצר את זמן החימום ב-20%-30%.
- דלת תנור הפיצה צריכה להיות הרחק מחומרים דליקים במהלך השימוש.
- אל תניחו את דלת תנור הפיצה על משטח דליק עד שתתקרר.
- אל תניחו את דלת תנור הפיצה על גבי תנור הפיצה במהלך הבישול.
- אל תעזבו חפצים מסוכנים כמו מצתים או נזולי הצתה ליד דלת תנור הפיצה. דלת תנור הפיצה, לאחר השימוש, פולטת חום לכל הכיוונים.
- שמרו על כל החוקים והתקנות המקומיים בעת השימוש בתנור הפיצה.
- אם יש לכם שאלות בנוגע להרכבה או הפעלה, פנו לסוכן שלכם.
- מומלץ להשתמש בכפפות מגן בעת טיפול בחלקים חמים במיוחד.
- החלקים שנחתמו על ידי היצ'רן או סוכניו לא צריכים להיות מטופלים על ידי המשתמש.
- הערה לצרכן: שמרו את המדריך הזה לעיון בעתיד.





- A: מסך LED משמש כתרמומטר דיגיטלי המראה את טמפרטורת תא התנור עד שהטמפרטורה המוגדרת מושגת. זה מבטיח קריאה מדויקת ומדויקת של טמפרטורת תנור הפיצה.
- B: כפתור הבקרה קל לשימוש. לחצו להדליק או לכבות את המכשיר. סובבו בכיוון השעון כדי להעלות את הטמפרטורה הרצויה או סובבו נגד כיוון השעון כדי להוריד את הטמפרטורה הרצויה. לחצו על הכפתור למשך שלוש שניות כדי לעבור בין F° ל- C° .
- C: כפתור המנוע המסתובב שולט על פתיחה וסגירה של מדף המסתובב.
- D: כפתור החשמל הראשי שולט על הדלקה וכיבוי של תנור הפיצה.
- E: דלת תנור הפיצה משמשת גם במהלך החימום מראש של התנור וגם במהלך אפיית הפיצה..



אזהרה

טמפרטורה גבוהה

אזהרה!

אל תנסו לנגע בגוף, בפנל העליון או בקוביית החממה בזמן השימוש. חלוקות נגשבות יכולות להיות חמות מאד.

הכנה לשימוש

1. עקוב אחרי ההוראות האלה בקפידה כדי למנוע נזק חמור לתנור הפיצה ולגרום לפציעות לעצמך או לרכוש.
2. הרכב את תנור הפיצה ודלת תנור הפיצה על פי הוראות ההרכבה בקפידה.
3. חבר את תנור הפיצה לשקע חשמלי שכבוי, לחץ על כפתור החשמל הראשי (D) כדי להדליק את תנור הפיצה, לחץ על כפתור הבקרה כדי שהמסך יתחיל לפעול, והמסך יציג את טמפרטורת תא התנור. לחץ על כפתור (C) כדי להפעיל את פונקציית הסיבוב.
3. זכור למשוך את תקע החשמל לאחר השימוש.

פונקציות כפתור הבקרה

- לחץ על הכפתור כדי להיכנס למצב הדלקה ולהציג את הטמפרטורה.
- סובב בכיוון השעון כדי להעלות את הטמפרטורה הרצויה או סובב נגד כיוון השעון כדי להוריד את הטמפרטורה הרצויה.
- לחץ על הכפתור למשך שלוש שניות כדי לעבור בין F° ל- C° .
- הגדרת טמפרטורה: לאחר שסובבת את כפתור הבקרה כדי להגדיר את הטמפרטורה הרצויה, שחרר את כפתור הבקרה והמסך יבהב 3 פעמים כדי לאשר את הטמפרטורה המוגדרת. תנור הפיצה יתחיל להתחמם עד שגיע לטמפרטורה המוגדרת. המסך יראה את ההתקדמות מהטמפרטורה הנוכחית עד שהיא תגיע לטמפרטורה המוגדרת. שימו לב שהטמפרטורה המוצגת על המסך היא הטמפרטורה המוגדרת, וברגע ששמים אוכל על משטח הבישול, טמפרטורת המשטח תרד בגלל שהאוכל קר. המסך עדיין יציג את הטמפרטורה המוגדרת ויתחמם עד שגיע לטמפרטורה המוגדרת.
- לחץ על הכפתור לכיבוי.
- משוך את תקע החשמל מהשקע כאשר אינך משתמש בתנור.

תנאי סביבה

- שימוש בתנור באקלים קר יותר או בגובה גבוה יותר יאריך את זמן הבישול.
- רוח ממושכת תוריד את הטמפרטורה הפנימית של תנור הפיצה.
- משטחי הבישול ניתנים להחלפה בקלות.

3. אחסון

- תמיד אפשר לתנור הפיצה להתקרר לפני האחסון.
- תמיד נתק את המכשיר על ידי משיכת התקע. אל תמשוך בכבל.
- כסה את תנור הפיצה רק כאשר הוא התקרר.
- תמיד אחסן את תנור הפיצה המכוסה במקום חמים ויבש.

4. ניקוי וטיפול

אזור: כל הניקוי והתחזוקה צריכים להתבצע כאשר תנור הפיצה קר ועם התקע מנותק מהשקע. "בישול יתר" של תנור הפיצה אחרי כל שימוש (כ-15 דקות) יפחית את שאריות המזון. מומלץ לנקות ולתחזק את תנור הפיצה לפחות פעם בחודש כדי להאריך את חיי תנור הפיצה ולצמצם את הסיכוי לבעיות.

5. ניקוי

- אפשר לתנור הפיצה להתקרר לפני שתנקה אותו.
- אל תשתמש בציוד קיטור בלחץ גבוה או בזרם מים לניקוי תנור הפיצה.

חיצון

- השתמש בחומר ניקוי עדין או בתמיסת סודה לשתייה ומים חמים. ניתן להשתמש בחומר ניקוי שאינו שוחק על כתמים עקשניים, ולאחר מכן לשטוף במים.

משתפים מפלסטיק

- נקה עם מטלית רכה ותמיסת מים עם סבון חמים. שטוף במים. אל תשתמש בחומרי ניקוי שוחקים, חומרי דה-גריזר או חומרי ניקוי מרוכזים לגריל על חלקי פלסטיק.

אבן פיצה

- השתמש במברשת תיל COZZE כדי למרוח את השאריות לאחר "בישול יתר". אם יש צורך, האבן הקרה יכולה להישטף במים. ודא שהאבן יבשה לחלוטין לפני השימוש הבא.

6. החזרת המכשיר לתיקון, שירות ואחריות

- אל תבצע שינויים בתנור הפיצה. שינוי יכול לגרום לכך שתנור הפיצה יהפוך ללא בטוח. כל שינוי יביא לביטול האחריות.
- אם אינך יכול לתקן בעיה על ידי ביצוע ההוראות הללו, פנה לנציג המקומי שלך לקבלת ייעוץ, בדיקה או הוראות תיקון.
- שמור את כל הוכחות התשלום ואת תעודת ההתקנה למטרות אחריות, אם לא ניתן לספקם, כל האחריות תבוטל.

7. אפיית פיצה מושלמת עם תנור הפיצה Cozze

חמם את תנור הפיצה Cozze שלך לטמפרטורה של 400°C . החום הגבוה הוא הסוד לפיצה המושלמת!
איך להשתמש בתנור הפיצה שלך:

1. חמם היטב:
 - חבר את התנור וחמם אותו לפחות 20 דקות כדי לוודא שהאבן מגיעה ל- 400°C . (השתמש במדחום אינפרא-אדום Cozze לדיוק).
2. אפיית הפיצה שלך:
 - הנח את הפיצה על האבן החמה והסובבת באמצעות חפץ שטוח.
 - סובב את הטמפרטורה לנמוכה בזמן האפייה כדי לשמור על קריספיות הקרום מבלי לשרוף אותו.
3. בין הפיצות:
 - לפיצות נוספות, סובב את החום למקסימום למשך 5 דקות כדי לחמם מחדש את האבן, ואז חזור על התהליך.
4. הגש ותינה:
 - הסר את הפיצה, תן לה להתקרר מעט, פרוס ותקפוץ פנימה.
 - עם Cozze, כל ערב פיצה הוא יצירת מופת. בתיאבון!

8. אחריות כללית של Cozze

- Cozze מספקת אחריות של 2 שנים על כל המוצרים.
האחריות המפורטת למעלה כפופה לתנאים הבאים:
- המוצר של Cozze נעשה בו שימוש בהתאם להוראות המדריך למשתמש.
 - המוצר של Cozze לא שונה.
 - המוצר של Cozze מורכב כראוי בהתאם להסדרים.
 - המוצר של Cozze מתוחזק ונשטף באופן תדיר בהתאם להוראות המדריך למשתמש.
 - אחסן את המוצר של Cozze מכוסה בכיסוי כאשר אינו בשימוש.
 - אחסון חורפי של Cozze: כל החלקים מעץ, אבני הפיצה ואביזרים של Cozze חייבים להיות מאוחסנים בתוך הבית במהלך החורף.
 - המוצר של Cozze מחובר, במידת הצורך, לסוג המתאים של גז או חשמל.
 - המוצר של Cozze מונח על משטח שטוח ובטוח.
 - המוצר של Cozze לא מותקן עם חלקים שאינם מקוריים של Cozze.
 - המוצר של Cozze לא צריך להיות מאוחסן כמרכיב מוצק בקרבת ים, בריכות שחייה עם כלור או ג'קוזי.
 - המוצר של Cozze מיועד לשימוש פרטי בלבד.
- האחריות אינה מכסה מוצרים של Cozze שהם פגומים, ניזוקים או ירודים באופן כלשהו כתוצאה מ:
- בלאי צפוי בשימוש רגיל
 - ונדליזם
 - מזג אוויר לא רגיל כמו ברד, סערות, טורנדו, צונאמי, רעידות אדמה או סופות כבדות.
 - תנאי סביבה אחרים כמו גשם חומצי, כלור/מלח באוויר ותנאים סביבתיים אחרים.

ELEKTRIKLI PIZZA FIRINI

TR - Kullanıcı Kılavuzu

Bu açıklamaları okuyun ve güvenliği sağlamak ve mülk hasarını önlemek için izleyin. **DİKKAT:** Kaçınılmazsa, hafif veya orta derecede yaralanmaya yol açabilecek tehlikeli bir durumu belirtir.

UYARI: Kaçınılmazsa, ölüm veya ciddi yaralanmaya yol açabilecek tehlikeli bir durumu belirtir.

TEHLİKE: Kaçınılmazsa, ölüm veya ciddi yaralanmaya yol açacak bir tehlikeli durumu belirtir.

UYARI!

Bu talimatı dikkatlice okuyun ve pizza fırınınızın bu talimatlara uygun olarak doğru şekilde kurulduğundan, montajlandığından, bakımlarının yapıldığından ve hizmet alındığından emin olun. Bu talimatlara uyulmaması ciddi vücut yaralanmalarına ve/veya mal hasarına yol açabilir.

Pizza fırınının montajı veya kullanımıyla ilgili herhangi bir sorunuz varsa, lütfen satıcınızla iletişime geçin.

Kullanıcıya notlar:

BU PIZZA FIRINI SADECE EVSEL KULLANIM İÇİNDİR. CİHAZI KULLANMADAN ÖNCE TALİMATLARI OKUYUN.

UYARI: ERİŞİLEBİLİR PARÇALAR ÇOK SICAK OLABİLİR, KÜÇÜK ÇOCUKLARIN UZAK TUTULMASI GEREKİR.

PİŞİRME SÜRESİNDE CİHAZI TAŞIMAYIN. GELECEK REFERANS İÇİN KULLANMA KILAVUZUNU SAKLAYIN.

ÇİZİMLER SADECE REFERANS AMAÇLIDIR..

ELEKTRIKLI PIZZA FIRINI			
90446 (13 INCH)		90448 (17 INCH)	
220-240 V~ 50-60 Hz	2200 W	220-240 V~ 50-60 Hz	2200 W
IPX4	Net weight: 21.8 kg	IPX4	Net weight: 26.4 kg
Millarco International A/S Rokhøj 26, 8520 Lystrup, Denmark www.millarco.com www.cozzebbq.com millarco@millarco.com			



Elektrikli cihazları düzensiz belediye atığı olarak atmayın, ayrı toplama tesislerini kullanın. Mevcut toplama sistemleri hakkında bilgi için yerel yönetiminizle iletişime geçin. Elektrikli cihazlar çöplüklere veya depolama alanlarına atıldığında, tehlikeli maddeler yer altı sularına sızabilir ve gıda zincirine karışarak sağlığınıza ve refahınıza zarar verebilir.

1.1 Çalışma

TEHLİKE

- Use the pizza oven in a well ventilated area.
- Do not use charcoal, briquettes, liquid fuel or lava rock in the pizza oven.

UYARI

- Sadece bu kullanıcı kılavuzunda açıklandığı şekilde kullanın. Yanlış kullanım yangına, elektrik çarpmasına veya yaralanmaya neden olabilir.
- Bu pizza fırını sadece topraklı bir prize bağlanmalıdır.
- Bu pizza fırını, 30 mA'yı geçmeyen bir kalıntılı akım koruma cihazı (RCD) ile beslenmelidir.
- Elektrik prizi hasar görmüşse pizza fırını çalıştırmayın.
- Besleme kablosu hasar görmüşse, tehlikeyi önlemek için üretici, servis yetkilisi veya benzer şekilde nitelikli kişiler tarafından değiştirilmelidir.
- Her zaman fişi çekerek fişi çıkarın. Kabloyu çekmeyin.
- Pizza fırını herhangi bir su kaynağının, havuz veya gölet gibi, 3 m mesafede kullanmayın.
- Pizza fırını yanıcı malzemelerin 60 cm yakınında kullanmayın. Minimum güvenli mesafeler: Pizza fırınının üstü 1.2 m. Arka ve yanlar 60 cm (Şekle bakınız).
- Pişirme alanını, benzin, alkol gibi yanıcı buharlar ve sıvılardan, yanıcı/yakıcı malzemelerden uzak tutun.
- Bir yağ yangını meydana gelirse, kapağı kapatın, güç düğmesini kapatın, pizza fırını prizden çıkarın ve yangın söndürülene kadar kapağı kapalı tutun. Alevleri söndürmek için sıvı kullanmayın.
- Erişilebilir parçalar çok sıcak olabilir. Küçük çocuklar ve evcil hayvanları uzak tutun.
- UYARI: Pizza fırını ve erişilebilir parçaları kullanım sırasında ısınır. Isıtma elemanlarına dokunmaktan kaçınılması için dikkat edilmelidir.
- Bu pizza fırını, 8 yaş ve üzeri çocuklar ve fiziksel, duyuşsal veya zihinsel yetenekleri sınırlı veya deneyimsiz ve bilgi eksikliği olan kişiler tarafından, pizza fırınının güvenli bir şekilde kullanımına dair denetim veya talimat verildiği ve tehlikeleri anladıkları takdirde kullanılabilir. Çocuklar pizza fırını ile oynamamalıdır. Temizlik ve kullanıcı bakımı, denetim olmadan çocuklar tarafından yapılmamalıdır.
- 8 yaşından küçük çocuklar, sürekli denetim sağlanmadıkça pizza fırınından uzak tutulmalıdır.
- Alkol, reçeteli ilaçlar, reçetesiz ilaçlar veya yasadışı uyuşturucular, kullanıcının pizza fırını doğru ve güvenli bir şekilde monte etme, taşıma, depolama veya çalıştırma yeteneğini zayıflatabilir.
- Fiziksel, duyuşsal veya zihinsel yetenekleri sınırlı olan kişilerle ilgili talimatlar geçerli değildir.
- Pizza fırını ısıtma veya kullanım sırasında başıboş bırakmayın. Bu pizza fırını kullanırken dikkatli olun.
- Pizza fırını kullanım sırasında hareket ettirmeyin.
- Herhangi bir elektrikli besleme kablosunu ısıtılmış yüzeylerden uzak tutun. Kablo yönetimi talimatlarına uyun.
- Güç kablosunu trafik alanlarından uzak tutun. Kablo, çekilmesinden veya takılmasından kaçınacak şekilde düzenleyin.
- Pizza fırını düşürmüşseniz veya herhangi bir şekilde arızalıysa kullanmayın.

- Bu pizza fırını ile kömür veya benzer yanıcı yakıtlar kullanılmamalıdır.
- Pizza fırını, topraklama bağlantısına sahip bir priz ile bağlanmalıdır.
- Besleme kablosu düzenli olarak hasar belirtileri için kontrol edilmelidir ve kablo hasar görmüşse pizza fırını kullanılmamalıdır.
- Elektrik çarpmasından korunmak için, kabloyu, fişleri, probeleri veya pizza fırınına suya veya diğer sıvılara batırmayın.
- Elektrik çarpmasından korunmak için, pizza fırınının içine sıvı sıkmayın.
- Pizza fırınına yalnızca düz, ısıya dayanıklı bir yüzeyde çalıştırın.
- Pizza fırını kullanırken ısıya dayanıklı eldivenler kullanın.

DİKKAT

- Bu pizza fırınına bir güç kaynağına bağlarken, besleme voltajının pizza fırınının etiketinde belirtilen voltaj değeri ile uyumlu olduğundan emin olun.
- Elektrik prizinin watt değerini aşmayın.
- Pizza fırınına herhangi bir araçta veya herhangi bir araç depolama veya kargo alanında kullanmayın. Bu, ancak bunlarla sınırlı olmamak üzere, arabalar, kamyonlar, station wagonlar, minibüsler, spor araçlar, mobil evler, karavanlar ve tekneler dahil edilir.
- Kurulum sırasında: Yüzeylere veya duvarlara, bömelere, mutfak mobilyalarına vb. yakın yerleştirmeyin - bunlar, yanıcı olmayan malzemeden yapılmış veya yanıcı olmayan ısı yalıtım malzemesi ile kaplanmış değilse ve yangın öncesi önlemlerine dikkat edilmelidir.
- Pizza fırınına pizza fırını kapaklı olarak 2 saatten fazla kullanmayın, böylece fırının aşırı ısınmasını engellersiniz.
- Açık alev üzerinde taşı taşıyı kullanmayın.
- Taşı aşırı sıcaklık değişimlerinden kaçının. Sıcak taş üzerine donmuş yiyecek koymayın.
- Taş hassastır ve çarptığında veya düştüğünde kırılabilir.
- Taş, kullanım sırasında çok sıcaktır ve kullanımdan sonra uzun süre sıcak kalır.
- Sıcak taşın üzerine su ile soğutma yapmayın.
- Taşı su ile temizledikten sonra, kullanımdan önce taşı kurulayın. Bu, geleneksel bir fırında 60 °C (140°F) sıcaklıkta 2 saat süreyle yapılabilir.
- Pizza taşıyı kuru ve sıcak bir yerde saklayın.
- Pizza taşı, bir aşınma parçası olarak kabul edilir ve garanti kapsamına girmez.
- Pizza fırınına taşımadan, temizlemeden veya saklamadan önce soğumasını bekleyin.
- Pizza fırını kapağı, pişirme sırasında yanıcı malzemelerle yakın kullanılmamalıdır. (Petrol bazlı ürünler, incelticiler veya herhangi bir başka yanıcı uyarı etiketi taşıyan katı cisimler.)
- Pizza fırınına yalnızca soğuduktan sonra kapatın.

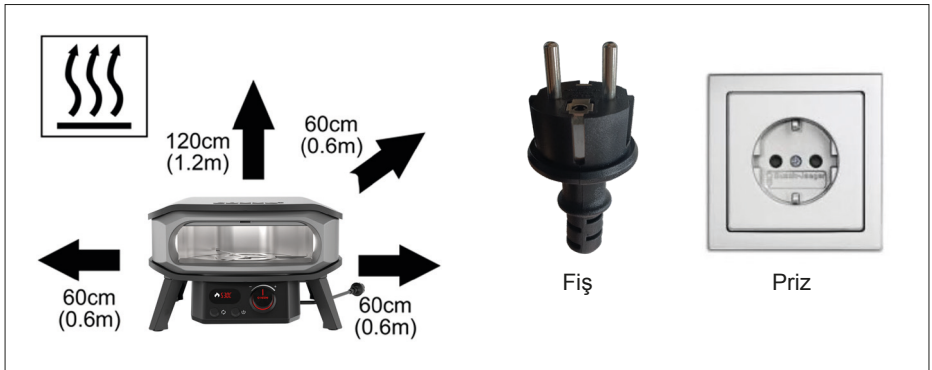
1.2 Kurulum ve Montaj

UYARI

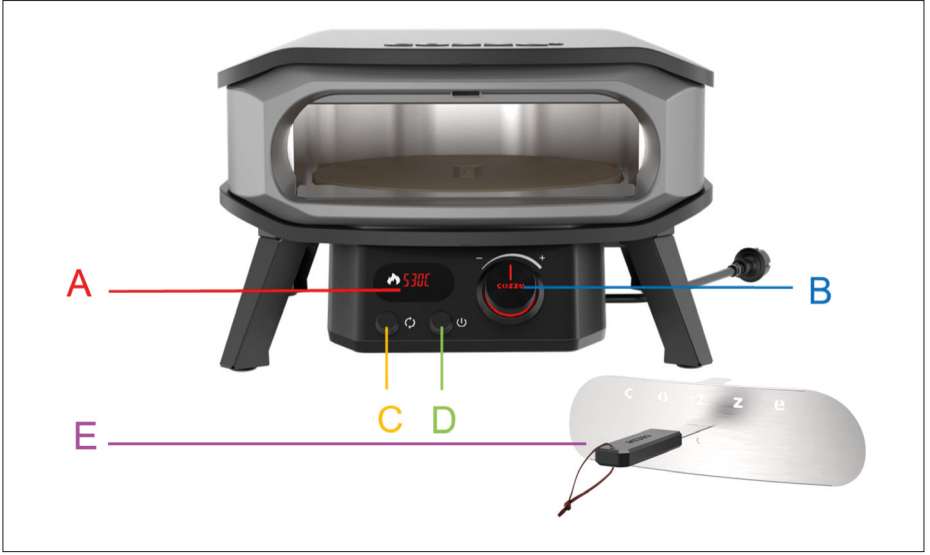
- Bu pizza fırını modeli yalnızca düz bir yüzeyde serbest kullanım için tasarlanmıştır.
- Aşağıdaki talimatları dikkatlice okuyun ve pizza fırınınızın doğru bir şekilde kurulum montajlandığından ve bakımının yapıldığından emin olun. Bu talimatlara uyulmaması ciddi vücut yaralanmalarına ve/veya mal hasarına yol açabilir.

DİKKAT

- Mülk hasarını ve/veya kişisel yaralanma riskini en aza indirmek için, bu kullanıcı kılavuzunda belirtilen özelliklere uymayan bir uzatma güç kablosu kullanmayın.
- Eğer bir uzatma kablosu kullanmak zorundaysanız, topraklı bir prize bağlanmalıdır. Sadece pizza fırını ile kullanıma uygun, topraklı fişli 14 gauge kalınlığında bir kablo kullanın. Uzatma kablosunun maksimum uzunluğu 4 metre olmalıdır. Uzatma kablosunu mümkün olduğunca kısa tutun. Kullanımdan önce uzatma kablosunu kontrol edin ve hasar görmüşse değiştirin.
- Kablonun takılma tehlikesi oluşturmadığından emin olun.
- Bağlantıları kuru tutun.
- Pizza fırını kapağı, pizza fırınınız için hareketli bir kapaktır. Isıtma sırasında bu pizza fırını kapağını kullanmak, ısınma süresini %20-30 oranında kısaltabilir.
- Pizza fırını kapağı, kullanım sırasında yanıcı malzemelerden uzak tutulmalıdır.
- Pizza fırını kapağını, soğuyana kadar yanıcı yüzeylere koymayın.
- Pizza fırını kapağını, pişirme sırasında pizza fırınının üstüne koymayın.
- Pizza fırını kapağınızın yanında çakmak veya alev yakıcı sıvı gibi tehlikeli nesnelere bırakmayın. Gerçekten de, pizza fırını kapağı kullanım sonrasında her yöne ısı yayar.
- Bu pizza fırınıyu kullanırken yerel yasa ve yönetmeliklere uyun.
- Montaj veya kullanım ile ilgili herhangi bir sorunuz varsa, satıcınızla iletişime geçin.
- Özellikle sıcak bileşenlerle ilgilenirken koruyucu eldiven kullanılması tavsiye edilir.
- Üretici veya temsilcisi tarafından mühürlenmiş parçalar kullanıcı tarafından müdahale edilmemelidir.
- TÜKETİCİ İÇİN NOT: Bu kılavuzu gelecekteki referanslar için saklayın..



2. Ürün Özellikleri



A: LED ekran, ayarlanan sıcaklık ulaşılanaya kadar fırın içi sıcaklığını dijital termometre olarak gösterir. Bu, pizza fırınınızın sıcaklık ölçümünü hassas ve doğru şekilde sağlar.

B: Kontrol düğmesi kullanımı kolaydır. Cihazı açmak veya kapatmak için iterek açın. İstenilen sıcaklığı artırmak için saat yönünde döndürün veya sıcaklığı azaltmak için saat yönünün tersine döndürün. °F veya °C arasında geçiş yapmak için düğmeye üç saniye basın.

C: Döner motor düğmesi, döner rafın açılmasını ve kapanmasını kontrol eder.

D: Ana güç düğmesi, pizza fırınının açılmasını ve kapanmasını kontrol eder.

E: Pizza fırını kapağı, hem fırını önceden ısıtırken hem de pizzayı pişirirken kullanılır.



UYARI
YÜKSEK SICAKLIK

DİKKAT!

KULLANIM SIRASINDA CİHAZIN
GÖVDESİNE, ÜST PANELE VEYA ISITMA
TELİNE DOKUNMAYIN. ERIŞİLEBİLİR
PARÇALAR ÇOK SICAK OLABİLİR.

KULLANIMA HAZIRLIK

Pizza fırınına ciddi zarar vermemek ve kendinize ve mülkünüze zarar vermemek için bu talimatları dikkatlice izleyin.

1. Pizza fırını ve pizza fırını kapağını, montaj talimatlarını dikkatlice takip ederek monte edin.
2. Pizza fırını kapalı durumda bir güç prizine bağlayın, pizza fırını açmak için ana güç düğmesine (D) basın, kontrol düğmesine basarak ekranın çalışmasını sağlayın, ekran fırın içi sıcaklığı gösterir. Döndürme fonksiyonunu başlatmak için (C) düğmesine basın.
3. Kullanım sonrası güç fişini çekmeyi unutmayın.

KONTROL DÜĞMESİ FONKSİYONLARI

- Düğmeye basarak açma durumuna geçin ve sıcaklığı görüntüleyin.
- Saat yönünde döndürerek istenilen sıcaklığı artırın veya saat yönünün tersine döndürerek istenilen sıcaklığı azaltın.
- Düğmeye üç saniye basarak °F veya °C arasında geçiş yapabilirsiniz.
- Sıcaklık Ayarı: Kontrol düğmesini istenilen sıcaklıkta ayarladıktan sonra, kontrol düğmesini serbest bırakın ve ekran ayarlanan sıcaklığı onaylamak için 3 kez yanıp sönecektir. Pizza fırını, belirlenen sıcaklığa ulaşana kadar ısınmaya başlayacaktır. Ekran, mevcut sıcaklıktan ayarlanan sıcaklığa kadar ilerlemeyi gösterecektir. Ekranda gösterilen sıcaklık, seçilen ayarlanan sıcaklık olacaktır. Yiyecek pişirme yüzeyine yerleştirildiğinde, pişirme yüzeyinin sıcaklığı, yiyecek soğuk olduğu için düşer. Ekran, ayarladığınız sıcaklık gösterilmeye devam edecek ve fırın, ayarlanan sıcaklığa ulaşana kadar ısınacaktır.
- Düğmeye basarak kapatın.
- Fırın kullanılmadığında güç fişini prizden çıkarın..

ÇEVRE ŞARTLARI

- Daha soğuk bir iklimde veya daha yüksek bir rakımda fırın kullanmak, pişirme sürenizi uzatacaktır.
- Sürekli rüzgar, pizza fırınının iç sıcaklığını düşürecektir.
- Pişirme yüzeyleri kolayca değiştirilebilir.

3. Depolama

- Pizza fırınının depolanmadan önce soğumasını her zaman bekleyin.
- Fişi her zaman çekerek çıkarın. Kablodan çekmeyin.
- Pizza fırını yalnızca soğuduktan sonra kapatın.
- Kapalı pizza fırını her zaman sıcak ve kuru bir yerde saklayın.

4. Temizlik ve Bakım

DİKKAT: Tüm temizlik ve bakım işlemleri, pizza fırını soğuduktan sonra ve güç fişi prizden çıkarılmışken yapılmalıdır. Her kullanım sonrası pizza fırını yaklaşık 15 dakika boyunca "yakma" işlemi yaparak fazla yiyecek kalıntılarını en aza indirebilirsiniz. Pizza fırınının ömrünü uzatmak ve sorun olasılıklarını azaltmak için en az ayda bir kez temizlik ve bakım yapılması tavsiye edilir.

5. Temizlik

- Pizza fırınının temizliğine başlamadan önce soğumasını bekleyin.
- Pizza fırınına temizlemek için yüksek basınçlı buhar ekipmanları veya su jeti kullanmayın.

DIŞ YÜZEY

- Hafif deterjan veya kabartma tozu ve sıcak su çözeltisi kullanın. Inatçı lekeler için aşındırıcı olmayan bir temizlik tozu kullanılabilir, ardından su ile durulayın.

PLASTİK YÜZEYLER

- Yumuşak bir bez ve sıcak sabunlu su çözeltisi ile yıkayın. Su ile durulayın. Plastik parçalar üzerinde aşındırıcı temizlik malzemeleri, yağ gidericiler veya yoğunlaştırılmış barbekü temizleyicileri kullanmayın.

PIZZA TAŞI

- “Yakma” işleminden sonra kalan kalıntıları temizlemek için COZZE tel fırçası kullanın. Gerekirse, soğuk taşı su ile durulayabilirsiniz. Bir sonraki kullanım öncesinde taşı tamamen kuru olduğundan emin olun.

6. Cihaza İade, Onarım, Servis ve Garanti

- Pizza fırınına değiştirmeyin. Bu, pizza fırınının güvensiz hale gelmesine neden olabilir. Herhangi bir değişiklik, garantiyi geçersiz kılacaktır.
- Eğer bu talimatları takip ederek bir hatayı düzeltemezseniz, yerel dağıtıcınızla iletişime geçerek tavsiye, inceleme veya onarım talimatları alın.
- Garanti amaçlı olarak tüm ödeme kanıtlarını ve kurulum sertifikasını saklayın, eğer bunlar temin edilemezse, tüm garantiler geçersiz sayılacaktır.

7. Cozze Pizza Fırınıyla Mükemmel Pizza Pişirin

Cozze pizza fırınına yaklaşık 400°C'ye ısıtın. Yüksek ısı, pizza mükemmelliğinin sırrıdır!

Pizza Fırınına Nasıl Kullanırsınız:

1. İyice Isıtın:

- Fırını takın ve taşı 400°C'ye ulaşmasını sağlamak için en az 20 dakika ısıtın (Doğruluk için bir Cozze kızılötesi termometresi kullanın.)

2. Pizzanızı Pişirin:

- Pizzanızı sıcak, dönen taşa bir kepçe ile yerleştirin.
- Pişirme sırasında, hamurun çıtır olması için sıcaklığı düşük tutun, ancak yakmamaya dikkat edin.

3. Pizza Arasında:

- Ekstra pizzalar için, taşı yeniden ısıtmak için 5 dakika boyunca ısının maksimuma çıkmasını sağlayın, sonra işlemi tekrarlayın.

4. Servis Edin ve Keyfini Çıkarın:

- Pizzayı çıkarın, biraz soğumasını bekleyin, dilimleyin ve afiyetle yiyin.

Cozze ile her pizza gecesi bir başyapıttır.

Afiyet olsun!

8. Genel Cozze Garantisi

Cozze, tüm ürünlerde 2 yıl garanti sağlar.

Yukarıdaki garanti aşağıdaki şartlara tabidir:

- Cozze ürünü, kullanım kılavuzundaki talimatlara göre kullanılmış olmalıdır.
- Cozze ürünü değiştirilmemiş olmalıdır.
- Cozze ürünü, yönetmeliklere göre doğru şekilde monte edilmiş olmalıdır.
- Cozze ürünü, kullanım kılavuzuna göre düzenli olarak bakımı yapılmış ve temizlenmiş olmalıdır.
- Cozze ürünü kullanılmadığında üzeri örtülmüş şekilde saklanmalıdır.
- Cozze kış depolaması: Cozze'nin tüm ahşap parçaları, pizza taşları ve aksesuarları kış aylarında kapalı alanda saklanmalıdır.
- Cozze ürünü, geçerli olduğu durumlarda doğru tipte gaz veya elektrik kaynağına bağlanmış olmalıdır.
- Cozze ürünü, düz ve güvenli bir yüzeye yerleştirilmiş olmalıdır.
- Cozze ürünü, orijinal olmayan Cozze parçaları ile donatılmamış olmalıdır.
- Cozze ürünü, deniz kenarında, klorlu havuzlar veya sıcak su havuzlarına yakın bir yerde katı bileşen olarak saklanmamalıdır.
- Cozze ürünü yalnızca özel kullanım içindir.

Garanti Kapsamına Girmeyen Durumlar: Cozze ürünleri, aşağıdaki durumlardan ötürü bozulmuş, hasar görmüş veya başka şekilde zarar görmüşse garanti kapsamına girmez:

- Normal kullanım sonucu beklenen aşınma ve yıpranma
- Vandalizm
- Dolu, fırtına, kasırga, tsunami, deprem veya şiddetli fırtına gibi olağandışı hava koşulları
- Diğer çevresel koşullar, asidik yağmur, havadaki klor/sanayi tuzları ve diğer çevresel faktörler.

اقرأ واتبع هذه التعليمات للمساعدة في ضمان السلامة ومنع تلف الممتلكات.
تنبيه: يشير إلى موقف خطير قد يؤدي، إذا لم يتم تجنبه، إلى إصابة طفيفة أو متوسطة.
تحذير: يشير إلى موقف خطير قد يؤدي، إذا لم يتم تجنبه، إلى الوفاة أو إصابة خطيرة.
خطر: يشير إلى موقف خطير سيؤدي، إذا لم يتم تجنبه، إلى الوفاة أو إصابة خطيرة.

تحذير!

اقرأ هذه التعليمات بعناية وتأكد من أن فرن البيتزا الخاص بك مثبت ومجمع ومُصان ومُخَدَم وفقاً لهذه التعليمات. عدم اتباع هذه التعليمات قد يؤدي إلى إصابات جسدية خطيرة و/أو أضرار بالممتلكات.

إذا كانت لديك أي أسئلة بخصوص تركيب أو تشغيل هذا الفرن، يُرجى استشارة الوكيل الخاص بك.

ملاحظات للمستخدم:

هذا الفرن مخصص للاستخدام المنزلي فقط. اقرأ التعليمات قبل استخدام الجهاز.

تحذير: قد تكون الأجزاء المكشوفة ساخنة جداً، يُرجى إبعاد الأطفال الصغار.

لا تحرك الجهاز أثناء الطهي.

احتفظ بدليل الاستخدام للرجوع إليه مستقبلاً.

الرسومات مُقدمة للمرجع فقط.

فرن البيتزا الكهربائي			
90446 (13 INCH)		90448(17 INCH)	
220-240 V~ 50-60 Hz	2200 W	220-240 V~ 50-60 Hz	2200 W
IPX4	Net weight: 21.8 kg	IPX4	Net weight: 26.4 kg
Millarco International A/S Rokhøj 26, 8520 Lystrup, Denmark www.millarco.com www.cozzebbq.com millarco@millarco.com			



لا تتخلص من الأجهزة الكهربائية ككفايات بلدية غير مفروزة، استخدم مرافق الجمع المنفصل. اتصل بالحكومة المحلية للحصول على معلومات بشأن أنظمة الجمع المتاحة. إذا تم التخلص من الأجهزة الكهربائية في المكبات أو المدافن، يمكن أن تتسرب المواد الخطرة إلى المياه الجوفية وتدخل في سلسلة الغذاء، مما يضر بصحتك ورفاهيتك.

خطر

- استخدم فرن البييتزا في منطقة جيدة التهوية.
- لا تستخدم الفحم، أو الكريات، أو الوقود السائل، أو الصخور البركانية في فرن البييتزا.

تحذير

- استخدم فرن البييتزا فقط كما هو موضح في دليل المستخدم. قد يتسبب الاستخدام غير السليم في نشوب حريق أو صدمة كهربائية أو إصابة.
- يجب توصيل فرن البييتزا بمقبس مؤرض.
- يجب تزويد فرن البييتزا عبر جهاز تفريغ تيار متبقي (RCD) يحتوي على تيار تشغيل متبقي مقنن لا يتجاوز 30 ملي أمبير.
- لا تشغل فرن البييتزا إذا كان المقابس الكهربائية تالفة.
- إذا كان سلك التزويد تالفاً، يجب استبداله من قبل الشركة المصنعة أو وكيلها أو الأشخاص المؤهلين المماتلين لتجنب حدوث خطر دائماً أفضل المقابس عن طريق سحب المقبس. لا تسحب على السلك.
- لا تستخدم فرن البييتزا ضمن 3 أمتار من أي نوع من الماء، مثل حمام السباحة أو البركة.
- لا تستخدم فرن البييتزا ضمن 60 سم من المواد القابلة للاشتعال. المسافات الآمنة الدنيا هي: فوق فرن البييتزا 1.2 متر، من الخلف والجوانب 60 سم (انظر الصورة).
- حافظ على منطقة الطهي خالية من الأبخرة والسوائل القابلة للاشتعال، مثل البنزين والكحول، وما إلى ذلك، والمواد القابلة للاشتعال/الاحتراق.
- في حالة نشوب حريق في الدهون، اغلِق الغطاء، وأوقف زر الطاقة، وفصل فرن البييتزا عن المقبس، وارك الغطاء مغلقاً حتى ينطفئ الحريق. لا تستخدم السوائل لإطفاء اللهب.
- قد تكون الأجزاء القابلة للوصول ساخنة جداً. ابق الأطفال الصغار والحيوانات الأليفة بعيداً.
- تحذير: يصبح فرن البييتزا وأجزائه القابلة للوصول ساخنة أثناء الاستخدام. يجب الحذر لتجنب لمس عناصر التسخين.
- يمكن استخدام فرن البييتزا من قبل الأطفال الذين تتراوح أعمارهم من 8 سنوات فما فوق والأشخاص الذين يعانون من قدرات بدنية أو حواس أو عقلية محدودة أو نقص الخبرة والمعرفة، إذا تم تقديم إشراف أو تعليمات لهم بشأن كيفية استخدام فرن البييتزا بشكل آمن وفهم المخاطر المتضمنة. لا يجب على الأطفال اللعب مع فرن البييتزا. لا يجب أن يتم التنظيف والصيانة من قبل الأطفال دون إشراف.
- يجب إبقاء الأطفال الذين تقل أعمارهم عن 8 سنوات بعيداً عن فرن البييتزا إلا إذا تم الإشراف عليهم باستمرار.
- قد يؤثر استخدام الكحول أو الأدوية الموصوفة أو الأدوية غير الموصوفة أو المخدرات غير القانونية على قدرة المستخدم على تجميع أو تحريك أو تخزين أو تشغيل فرن البييتزا بشكل صحيح وآمن.
- لا تنطبق التعليمات بشأن الأشخاص (بما في ذلك الأطفال) الذين يعانون من قدرات بدنية أو حواس أو عقلية محدودة أو نقص الخبرة والمعرفة.
- لا تترك فرن البييتزا دون مراقبة أثناء التسخين المبدئي أو الاستخدام. يجب توخي الحذر عند استخدام هذا الفرن.
- لا تحرك فرن البييتزا أثناء الاستخدام. • حافظ على سلك التوصيل الكهربائي بعيداً عن أي أسطح ساخنة. اتبع تعليمات إدارة الأسلاك.
- ضع سلك الطاقة بعيداً عن مناطق الحركة. رتب السلك بحيث لا يتم سحبه أو التعتير به.
- لا تستخدم فرن البييتزا إذا تم إسقاطه أو كان به عطل من أي نوع.
- لا يجب استخدام الفحم أو أي وقود قابل للاحتراق مشابه مع هذا الفرن.
- يجب توصيل فرن البييتزا بمقبس كهربائي يحتوي على اتصال مؤرض.

- يجب فحص سلك التزويد بانتظام للتأكد من عدم وجود علامات على تلفه، ولا يجب استخدام فرن البييتزا إذا كان السلك تالفاً.
- لحمايتك من الصدمة الكهربائية، لا تغمر السلك أو المقابس أو المجسات أو فرن البييتزا في الماء أو أي سوائل أخرى.
- لمنع الصدمة الكهربائية، لا ترش السوائل داخل فرن البييتزا.
- استخدم فرن البييتزا فقط على سطح مستوٍ مقاوم للحرارة.
- استخدم قفازات مقاومة للحرارة عند تشغيل فرن البييتزا.

تحذير

- عند توصيل فرن البييتزا بمصدر طاقة، تأكد من أن جهد الإمداد يتوافق مع تصنيف الجهد الموضح على ملصق فرن البييتزا.
- لا تتجاوز قدرة المقابس الكهربائية.
- لا تستخدم فرن البييتزا في أي مركبة أو في أي منطقة تخزين أو شحن في أي مركبة. يشمل ذلك، ولكن لا يقتصر على، السيارات والشاحنات والسيارات العائلية والغانات الصغيرة والسيارات الرياضية المتعددة الاستخدامات والمنازل المتنقلة والعربات المقطورة والقوارب.
- أثناء التثبيت: لا تضعه على الأسطح أو بالقرب من الجدران أو الفواصل أو الأثاث المطبخي وما شابه – إلا إذا كانت مصنوعة من مادة غير قابلة للاشتعال أو مغطاة بمادة عازلة حرارية غير قابلة للاشتعال، وراع لوح الوقاية من الحرائق.
- لا تستخدم فرن البييتزا مع باب الفرن لأكثر من ساعتين لتجنب سخونة الفرن المفرطة.
- لا تستخدم الحجر فوق لهب مكشوف.
- تجنب التغييرات الشديدة في درجة الحرارة على الحجر. لا تضع الأطعمة المجمدة على الحجر الساخن.
- الحجر هش ويمكن أن ينكسر إذا تم ضربه أو إسقاطه.
- الحجر ساخن جدًا أثناء الاستخدام ويبقى ساخنًا لفترة طويلة بعد الاستخدام.
- لا تبرد الحجر بالماء عندما يكون ساخنًا.
- بعد تنظيف الحجر بالماء، يرجى تجفيف الحجر قبل استخدامه. يمكن فعل ذلك في فرن تقليدي عند 60 درجة مئوية (140 درجة فهرنهايت) لمدة ساعتين.
- قم بتخزين حجر البييتزا في مكان جاف ودافئ.
- يعتبر حجر البييتزا جزءًا قابلاً للتآكل ولا يشمل الضمان.
- اسمح لفرن البييتزا بالبرودة قبل نقله أو تنظيفه أو تخزينه.
- يجب عدم استخدام باب فرن البييتزا بالقرب من المواد القابلة للاشتعال أثناء الطهي. (المنتجات النفطية أو المواد المنزلية أو أي جسم صلب يحمل علامة تحذير قابلة للاشتعال).
- غط فرن البييتزا فقط عندما يبرد.

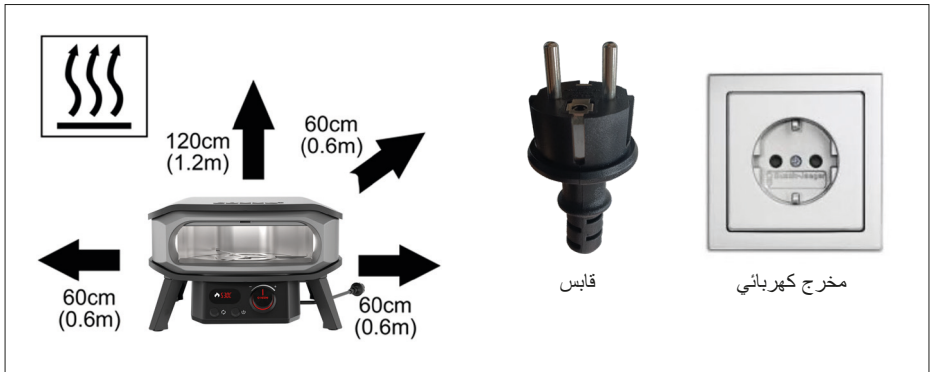
1.2 التثبيت والتجميع

تحذير

- هذا النموذج من فرن البييتزا مخصص للاستخدام المستقل فقط على سطح مستوي.
- اقرأ التعليمات التالية بعناية وتأكد من أن فرن البييتزا تم تثبيته وتجميعه والعناية به بشكل صحيح. قد يؤدي عدم اتباع هذه التعليمات إلى إصابة جسمية خطيرة و/أو تلف الممتلكات.

تحذير

- لتقليل خطر تلف الممتلكات و/أو الإصابة الشخصية، لا تستخدم سلك تمديد كهربائي ما لم يتوافق مع المواصفات المذكورة في دليل المستخدم هذا.
- إذا كان من الضروري استخدام سلك تمديد، يجب توصيله بمقيس مؤرض. استخدم فقط سلكاً بسمك 14 قياساً مع مقيس مؤرض، مناسب للاستخدام مع فرن البييتزا. الحد الأقصى لطول سلك التمديد هو 4 أمتار. احتفظ بسلك التمديد بأقصر طول ممكن. افحص سلك التمديد قبل الاستخدام واستبدله إذا كان تالفاً.
- تأكد من أن السلك لا يشكل خطر التعثر.
- حافظ على الج **connections** جافة.
- باب فرن البييتزا هو باب متحرك لفرن البييتزا. يمكن أن يقلل استخدام باب فرن البييتزا أثناء التسخين من وقت التسخين بنسبة 20-30%.
- يجب إبقاء باب فرن البييتزا بعيداً عن المواد القابلة للاشتعال أثناء الاستخدام.
- يجب عدم وضع باب فرن البييتزا على أي سطح قابل للاشتعال حتى يبرد.
- لا تضع باب فرن البييتزا على الجزء العلوي من فرن البييتزا أثناء الطهي.
- لا تترك أي أشياء خطيرة مثل لاعة أو سوائل إشعال بالقرب من باب فرن البييتزا. في الواقع، بعد الاستخدام، يطلق باب فرن البييتزا الحرارة في جميع الاتجاهات.
- راقب جميع القوانين واللوائح المحلية عند استخدام فرن البييتزا هذا.
- إذا كانت لديك أي أسئلة تتعلق بالتجميع أو التشغيل، استشر موزعك.
- يوصى باستخدام القفازات الواقية عند التعامل مع المكونات شديدة السخونة.
- يجب ألا يتعامل المستخدم مع الأجزاء التي تم ختمها من قبل الشركة المصنعة أو وكيلها.
- ملاحظة للمستهلك: احتفظ بهذا الدليل للرجوع إليه في المستقبل.





- A: شاشة LED تعمل كترمومتر رقمي تعرض درجة حرارة غرفة الفرن حتى يتم الوصول إلى درجة الحرارة المحددة. يضمن ذلك قراءة دقيقة وصحيحة لدرجة حرارة فرن البييتزا.
- B: زر التحكم سهل الاستخدام. اضغط لتشغيل الوحدة أو إيقافها. قم بتدويره مع عقارب الساعة لزيادة درجة الحرارة المطلوبة أو عكس عقارب الساعة لتقليل درجة الحرارة المطلوبة. اضغط على الزر لمدة ثلاث ثوانٍ للتبديل بين °ف أو °م.
- C: زر المحرك الدوار يتحكم في فتح وإغلاق الرف الدوار.
- D: زر الطاقة الرئيسي يتحكم في تشغيل وإيقاف فرن البييتزا.
- E: باب فرن البييتزا يستخدم كل من أثناء تسخين الفرن وأثناء خبز البييتزا.



تحذير
درجة حرارة عالية

تحذير
لا تلمس الجسم أو اللوحة العلوية أو ملف التسخين أثناء الاستخدام.

قد تكون الأجزاء القابلة للوصول ساخنة جداً.

التحضير للاستخدام

اتبع هذه التعليمات بعناية لتجنب إلحاق ضرر كبير بفرن البييتزا والتسبب في إصابة نفسك أو تلف الممتلكات.

1. قم بتجميع فرن البييتزا وباب فرن البييتزا باتتباع تعليمات التجميع بعناية.
2. قم بتوصيل فرن البييتزا بمقبس كهربائي مغلق، اضغط على زر الطاقة الرئيسي (D) لتشغيل فرن البييتزا، اضغط على زر التحكم لتشغيل العرض، حيث سيظهر درجة حرارة غرفة الفرن. اضغط على الزر (C) لتشغيل وظيفة الدوران.
3. تذكر سحب القابس الكهربائي بعد الاستخدام.

وظائف زر التحكم

- اضغط على الزر للدخول إلى وضع التشغيل وعرض درجة الحرارة.
- قم بتدوير الزر مع عقارب الساعة لزيادة درجة الحرارة المطلوبة أو عكس عقارب الساعة لتقليل درجة الحرارة المطلوبة.
- اضغط على الزر لمدة ثلاث ثوانٍ للتبديل بين °ف أو °م.
- ضبط درجة الحرارة: بمجرد أن تقوم بتدوير زر التحكم لضبط درجة الحرارة المطلوبة، اترك الزر وسبومض العرض 3 مرات لتأكيد درجة الحرارة المحددة. سيبدأ فرن البييتزا الآن في التسخين حتى يصل إلى درجة الحرارة المحددة. سيعرض العرض التقدم من درجة الحرارة الحالية حتى الوصول إلى درجة الحرارة المحددة. لاحظ أن درجة الحرارة المعروضة هي درجة الحرارة المحددة التي قمت بتعيينها، وعندما يتم وضع الطعام على سطح الطهي، ستخف درجة حرارة سطح الطهي بسبب كون الطعام باردًا. سيظل العرض يظهر درجة الحرارة التي قمت بتحديدتها وسيسخن حتى يصل إلى درجة الحرارة المحددة.
- اضغط على الزر لإيقاف التشغيل.
- اسحب القابس الكهربائي من المقبس عند عدم استخدام الفرن.

الظروف البيئية

- استخدام الفرن في مناخ بارد أو على ارتفاع أعلى سيزيد من وقت الطهي.
- الرياح المستمرة ستخفض درجة الحرارة الداخلية لفرن البييتزا.
- الأسطح القابلة للطهي سهلة الاستبدال.

3. التخزين

- دائمًا اترك فرن البييتزا ليبرد قبل تخزينه.
- دائمًا اسحب القابس لفصل الكهرباء. لا تسحب السلك.
- غطّ فرن البييتزا فقط عندما يبرد.
- دائمًا قم بتخزين فرن البييتزا المغطى في مكان دافئ وجاف.

4. التنظيف والعناية

تحذير: يجب إجراء جميع أعمال التنظيف والصيانة عندما يكون فرن البييتزا باردًا والقابس مفصول عن المقبس الكهربائي. إن «حرق» فرن البييتزا بعد كل استخدام (لمدة حوالي ١٥ دقيقة) سيقال من بقايا الطعام الزائدة إلى الحد الأدنى. يُوصى بتنظيف وصيانة فرن البييتزا على الأقل مرة واحدة في الشهر لتمديد عمر فرن البييتزا وتقليل احتمالية حدوث مشاكل.

5. التنظيف

- اترك فرن البييتزا ليبرد قبل تنظيفه.
- لا تستخدم أي معدات بخار عالي الضغط أو نفاثة ماء لتنظيف فرن البييتزا.
- **السطح الخارجي**
- استخدم منظفًا لطيفًا أو محلول بيكربونات الصوديوم والماء الساخن. يمكن استخدام مسحوق تنظيف غير كاشط للبقع العنيدة، ثم اشطفه بالماء.

الأسطح البلاستيكية

- اغسله بقطعة قماش ناعمة ومحلول ماء وصابون ساخن. اشطفه بالماء. لا تستخدم المنظفات الكاشطة أو مزيلات الدهون أو منظفات الشواء المركزة على الأجزاء البلاستيكية.

حجر البييتزا

- استخدم فرشاة سلكية COZZE لإزالة المتبقيات بعد «الحرق». إذا لزم الأمر، يمكن شطف الحجر البارد بالماء. تأكد من أن الحجر جاف تمامًا قبل استخدامه التالي.

6. إعادة الجهاز للإصلاح، الخدمة وضمان

- لا تعدل فرن البييتزا. قد يتسبب ذلك في جعل الفرن غير آمن. أي تعديلات ستؤدي إلى إبطال الضمان.
- إذا لم تتمكن من إصلاح أي خلل باتباع هذه التعليمات، اتصل بموزع المحلي للحصول على المشورة أو تعليمات الفحص أو الإصلاح.
- يرجى الاحتفاظ بجميع إثباتات الدفع وشهادة التركيب لأغراض الضمان. إذا لم يمكن تقديم هذه الوثائق، فسيتم اعتبار جميع الضمانات لاغية!

7. خبز البييتزا المثالية مع فرن البييتزا Cozze

سخن فرن بييتزا Cozze إلى حوالي 400°C. الحرارة العالية هي سر الكمال في البييتزا!
كيفية استخدام فرن البييتزا:

التسخين الجيد:

- قم بتوصيل الفرن وسخنه لمدة ٢٠ دقيقة على الأقل لضمان وصول الحجر إلى 400°C. (استخدم مقياس الحرارة بالأشعة تحت الحمراء Cozze للقياس بدقة).

خبز البييتزا:

- ضع بييتزاك على الحجر الدوار الساخن باستخدام مجداف.
- اضبط الحرارة على المنخفضة أثناء الخبز للحفاظ على هشاشة القشرة دون حرقها.

بين البييتزا:

- للبييتزا الإضافية، قم بزيادة الحرارة إلى الحد الأقصى لمدة ٥ دقائق لإعادة تسخين الحجر، ثم كرر العملية.

التقديم والاستمتاع:

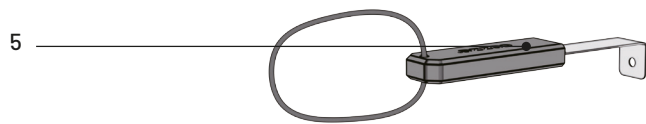
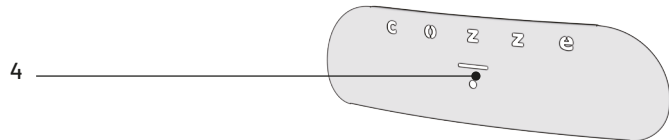
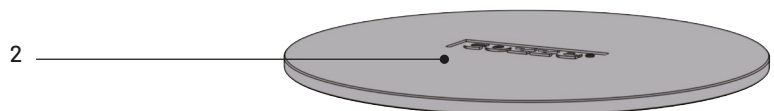
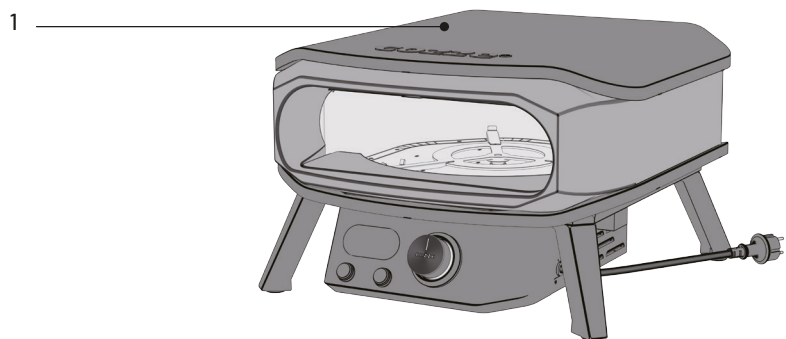
- أخرج البييتزا، دعها تبرد قليلاً، ثم قطعها واستمتع.
- مع Cozze، كل ليلة بييتزا هي تحفة فنية. شهية طيبة.

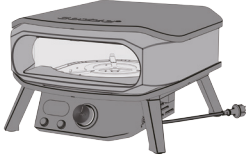
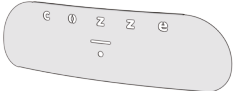

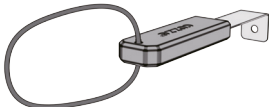

8. ضمان Cozze العام

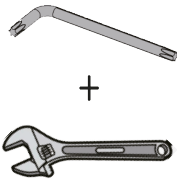
- وفر Cozze ضماناً لمدة عامين على جميع المنتجات.
- يخضع الضمان المذكور للشروط التالية:
- يتم استخدام منتج Cozze وفقاً للتعليمات الواردة في دليل المستخدم.
 - لا يتم تعديل منتج Cozze.
 - يتم تجميع منتج Cozze بشكل صحيح وفقاً للوائح.
 - يتم صيانة منتج Cozze وتنظيفه بانتظام وفقاً لدليل المستخدم.
 - يتم تخزين منتج Cozze مغطى عندما لا يكون قيد الاستخدام.
 - تخزين Cozze في الشتاء: يجب تخزين جميع الأجزاء الخشبية، وحجارة البيتر، والإكسسوارات الخاصة بـ Cozze في الداخل خلال فصل الشتاء.
 - يتم توصيل منتج Cozze، حيثما ينطبق، بنوع الغاز أو الكهرباء الصحيح.
 - يتم وضع منتج Cozze على سطح مستوٍ وأمن.
 - لا يتم تركيب أجزاء غير أصلية من Cozze في منتج Cozze.
 - يجب عدم تخزين منتج Cozze كعنصر ثابت بالقرب من البحر أو حمامات السباحة المكلورة أو حوض الاستحمام الساخن.
 - يتم استخدام منتج Cozze فقط للاستخدام الشخصي.

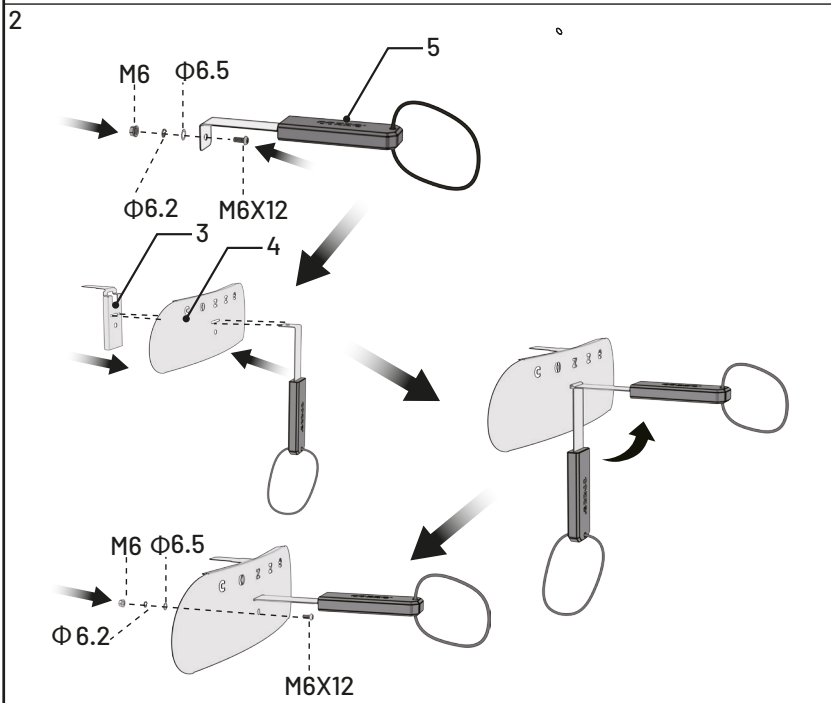
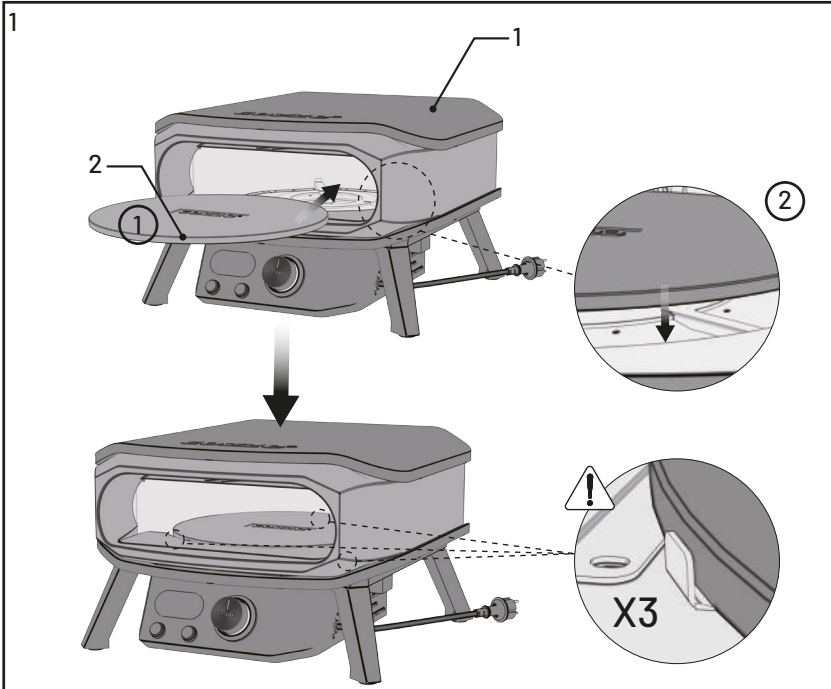
الضمان لا يغطي:

- منتجات Cozze التي تكون معيبة أو تالفة أو منتهية نتيجة لـ:
- التآكل المتوقع بسبب الاستخدام العادي.
 - التخريب.
 - الأحوال الجوية غير المعتادة مثل البرد، الطقس العاصف، الأعاصير، الزلازل، أو العواصف الشديدة.
 - البيئات الأخرى مثل الأمطار الحمضية، الكلور/الملح في الهواء وأي ظروف بيئية أخرى.

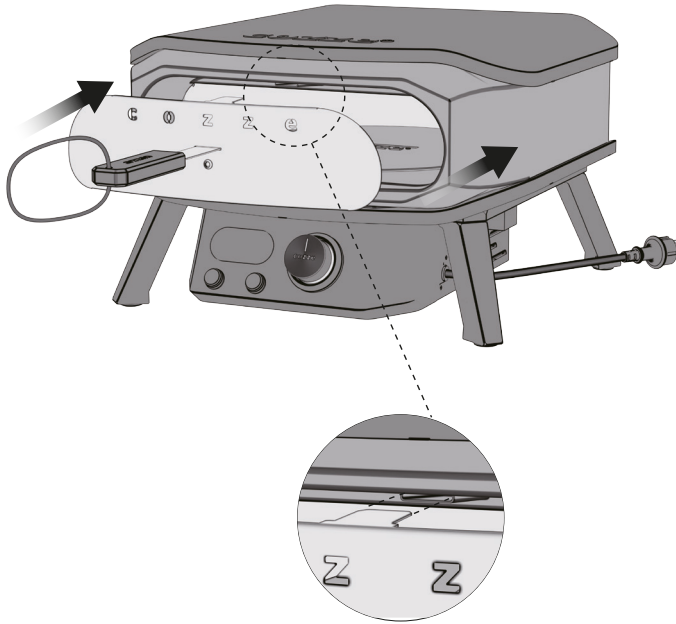


1		1pc.	4		1pc.
2		1pc.	5		1pc.
3		1pc.			

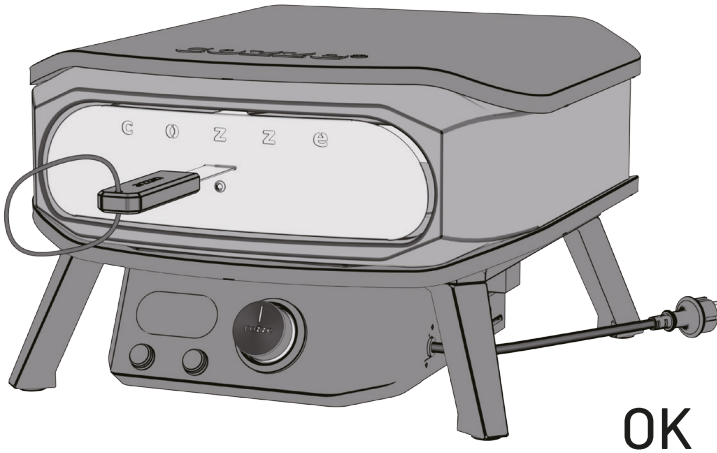




3



4



Millarco International A/S - Rokhøj 26, DK-8520 Lystrup

DK : CE – Overensstemmelseserklæring. Erklærer følgende overensstemmelse i medfør af EU-direktiv samt standarder for artikel: **SE: CE-intyg om overensstemmelse.** Deklarerar följande överensstämmelse i enlighet med EU-direktiv och standarder för artikel: **NO: CE-samsvarserklæring.** Erklærer følgende samsvar i henhold til EU-direktiver og standarder for artikkel: **FI: CE-vaatimusten mukaisuusvakuutus.** Vakuuttaa seuraavan tuotteen EU-direktiivien ja -standardien mukaisuuden: **EN: CE Declaration of Conformity.** Declares the following conformity pursuant to EU directives and standards for article: **DE: CE-Konformitätserklärung.** Erklärt die folgende Konformität gemäß EU-Richtlinien und Normen für den Artikel: **ES: Declaración de conformidad CE.** Declara la siguiente conformidad según las directivas y normas de la UE para el artículo: **FR: Déclaration de conformité CE.** Déclare la conformité suivante conformément aux directives et normes de l'UE pour l'article: **NL: CE-conformiteitsverklaring.** Verklaart de volgende conformiteit volgens EU-richtlijnen en -normen voor artikel: **PL: Deklaracja zgodności WE.** Deklaruje następującą zgodność artykułu z dyrektywami i normami UE: **CZ: CE – Prohlášení o shodě:** Prohlašujeme, že toto prohlášení o shodě je vydáno na naši výhradní odpovědnost a že následující produkty splňují směrnice EU i normy. **SLO : CE – Izjava o skladnosti:** Izjavljam naslednjo skladnost v skladu z direktivami in standardi EU za izdelek: **HR : CE – Izjava o sukladnosti:** Izjavljuju sljedeću uskladenost u skladu sa direktivama i standardima EU za artikl: **IT : CE – Dichiarazione di conformità.** Dichiaro la seguente conformità ai sensi delle direttive e norme comunitarie per l'articolo: **IS CE – Samræmisýfirlýsing.** Lýsir yfir eftirfarandi samræmi í samræmi við ESB tilskipanir og staðla fyrir hluti: **P CE – Declaração de Conformidade.** Declara a seguinte conformidade de acordo com as diretivas e padrões da UE para o artigo: **EST CE – vastavuseklaratsioon.** Kinnitab toote järgmise vastavuse vastavalt EL direktiividele ja standarditele: **GR CE – Δήλωση συμμόρφωσης.** Δηλώνει την ακόλουθη συμμόρφωση σύμφωνα με τις οδηγίες και τα πρότυπα της ΕΕ για το άρθρο: **RO CE – Declaratie de conformitate.** Declara urmatoarea conformitate in conformitate cu directivele si standardele UE pentru articol: **BG CE – Декларация за съответствие.** Декларира следното съответствие съгласно директивите и стандартите на ЕС за артикул: **LV: CE – atbilstības deklarācija.** Deklarē šādu izstrādājuma atbilstību saskaņā ar ES direktīvām un standartiem: **SK : CE – Vyhlásenie o zhode.** Vyhlasuje nasledujúcu zhodu podľa smerníc a noriem EÚ pre výrobok: **H CE – Megfelelőségi nyilatkozat.** Kijelenti a következő megfelelőséget a cikk EU-irányelvei és szabványai szerint: **إعلان المطابقة مع علامة CE** نعلن عن امتثالنا لمتطلبات الاتحاد الأوروبي ومعايير المادة

HE: הצהרת תאימות CE. אנו מצהירים בזאת שהמוצר הבא עומד בדרישות המפורטות בהנחיית והתקנים של ה-CE: **إعلان مطابقة المواصفات الأوروبية CE:** نعلن المطابقة التالية وفقاً لتوجيهات ومعايير الاتحاد الأوروبي للمادة

Item no.: 90446, 90448
Item name.: Electric pizza oven
Item Brand: Cozze

Directive

LVD Directive:2014/35/EU
EMC Directive:2014/30/EU
RoHS Direktive 2011/65
Food Contact Directive:1935/2004/EC

Standards:

EN 60335-2-6:2015 + A1:2020 + A11:2020
EN 60335-1: 2012+A11+ A13+A14+A2
+A15+A16

EN IEC 55014-1:2021
EN IEC 55014-2:2021
EN IEC 61000-3-2: 2019 + A1:2021
EN 61000-3-3: 2013 + A1:2019 + A2:2021

Lystrup, Denmark 30-1-2025

Signeret Lars Bærentsen

DK-8520 Lystrup
www.millarco.com



HAPPINESS
BY COLLE



FIND MORE INSPIRATION ONLINE AT
[COZZEBBQ.COM](https://cozzebbq.com)



Manufactured by
Millarco International A/S
Rokhøj 26, 8520 Lystrup - Denmark
millarco.com
cozzebbq.com



cozze®